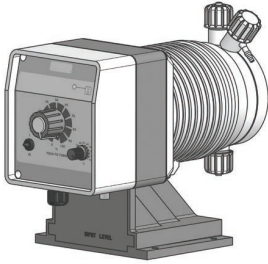


PULSPOMP AMS SERIE

Tuinbouwtechniek
& -benodigheden



EMEC PULSPOMPEN AMS/AMSA



UL US
LISTED
upon request

- Foot mounted, with display
- Microprocessor technology
- Manual stroke length adjustment
- Manual venting (AMS) or self venting (AMSA) PVDF pump head
- Liquid ends (pump head, injection valve, foot filter, delivery hose).....PVDF
- EnclosurePP
- Environment temperature.....10 ÷ 45°C (55 ÷ 113°F)
- Chemical temperature.....0 ÷ 50°C (32 ÷ 122°F)
- Transportation and storage temperature10 ÷ 50°C (55 ÷ 122°F)
- Installation classII
- Pollution level2
- Audible noise.....71db(A)
- Protection degreeIP 65 (NEMA4X)

Configuration code

| MODELS | | | |
|-------------|--------------|------|--|
| AMS Digital | AMSA Digital | MOD. | DESCRIPTION |
| DC | - | "DC" | Digital constant pump, stand-by input and alarm output and level control. |
| MF | AF | "MF" | Digital multifunction pump (Constant, Divide, Multiply, PPM, Batch, Volt, mA, %, ml/q) , stand-by and flow sensor input, alarm output and level control. Recovery fault mode, work-pause mode and upkeep mode. |
| PH | AA | "PH" | Proportional pump driven by internal built-in pH meter (0-14 pH) and level control, supplied without pH probe. |
| RH | AH | "RH" | Proportional pump driven by internal built-in ORP meter (0-1000 mV) and level control, supplied without ORP probe. |

| CAPACITY | | | | | |
|----------|-------------------|---------------------|---------------------|--------------|----------------|
| | | | Delivey hose (PVDF) | Suction hose | Pump head mod. |
| AMS | | | | | |
| 2505 | 5 l/h at 25 bar | 1.32 GPH at 362 PSI | 4 x 6 | 4 x 6 | L |
| 1510 | 10 l/h at 15 bar | 2.64 GPH at 217 PSI | 4 x 6 | 4 x 6 | M |
| 1015 | 15 l/h at 10 bar | 3.96 GPH at 145 PSI | 6 x 8 | 6 x 8 | M |
| 0720 | 20 l/h at 7 bar | 5.28 GPH at 101 PSI | 6 x 8 | 6 x 8 | N |
| 0340 | 40 l/h at 3 bar | 10.56 GPH at 43 PSI | 8 x 10 | 8 x 12 | S |
| 0260 | 60 l/h at 2 bar | 15.85 GPH at 29 PSI | 8 x 10 | 8 x 12 | T |
| AMSA | | | | | |
| 253.2 | 3.2 l/h at 25 bar | 0.85 GPH at 362 PSI | 4 x 6 | 4 x 6 | LA |
| 1506 | 6 l/h at 15 bar | 1.59 GPH at 217 PSI | 4 x 6 | 4 x 6 | MA |
| 1010 | 10 l/h at 10 bar | 2.64 GPH at 145 PSI | 6 x 8 | 6 x 8 | MA |
| 0713 | 13 l/h at 7 bar | 3.43 GPH at 101 PSI | 6 x 8 | 6 x 8 | NA |
| 0330 | 30 l/h at 3 bar | 7.9 GPH at 43 PSI | 8 x 10 | 8 x 12 | SA |
| 0238,5 | 38,5 l/h at 2 bar | 10.17 GPH at 29 PSI | 8 x 10 | 8 x 12 | TA |

Model **A MF 2505 K 00 00**

| LIQUID ENDS | | | | | | | | |
|-------------|---------|--------------|---------------|-----------------------|-----------|-------------|---------|----------------------|
| | HEAD | ORINGS | VALVE | | DIAPHRAGM | HOSES | | VISCOSITY Max CPS |
| | | | Body | Balls | | Delivery | Suction | |
| K | PVDF | FKM B | PVDF | Ceramic | PTFE | PVDF | PVC | 100 |
| P | PVDF | EPDM | PVDF | Ceramic | PTFE | PVDF | PVC | 100 |
| W | PVDF | Nytrile | PVDF | Ceramic | PTFE | PVDF | PVC | 100 |
| T | PVDF | FKM B + PTFE | PVDF | Ceramic | PTFE | PVDF | PVC | 100 |
| S | PVDF | Silicone | PVDF | Ceramic | PTFE | PVDF | PVC | 100 |
| A | Acrylic | FKM B | Polypropylene | Ceramic | PTFE | PVDF | PVC | 100 |
| Z | SS | FKM B | SS | SS | PTFE | N/A | N/A | 100 |
| S | Acrylic | FKM B | Polypropylene | SS + Hastelloy spring | PTFE | Polyethylen | PVC | 8000 * |

* Using high viscosity pump head mod. S, pump output may results lower in some applications.

| POWER SUPPLY | |
|--------------|-------------------------|
| 00 | 230 VAC Schuko plug |
| 05 | 230 VAC australian plug |
| 01 | 230 VAC without plug |
| 03 | 115 VAC US plug |
| 04 | 24 VAC without plug |
| 05 | 12 VDC * |
| 07 | 24 VDC |

* On some models only.



KaRo BV
Tulpenmarkt 4
1681 PK Zwaagdijk

T 0228 - 56 31 35
E info@karobv.nl
www.karobv.nl



PULSPOMP AMS SERIE

EMEC PULSPOMPEN AMS MF

Tuinbouwtechniek
& -benodigheden



| INFORMATION | | | | | | |
|--------------|---------------|----------------|---------------------------------|---|---|-----------------|
| AMS DIGITAL | Strokes speed | | Stroke length range reliability | Power consumption at max flow (230 VAC) | Power consumption at max flow (115 VAC) | Weight |
| | min | max | | | | |
| | strokes hour | strokes minute | | | | |
| 2505 | 1 | 120 | from 30% to 100% | 42 Watt | 24 Watt | 9 Kg (19.8 Lbs) |
| 1510 | 1 | 120 | | | | |
| 1015 | 1 | 120 | | | | |
| 0720 | 1 | 120 | | | | |
| 0340 | 1 | 120 | | | | |
| 0260 | 1 | 130 | | | | |
| AMSA DIGITAL | Strokes speed | | Stroke length range reliability | Power consumption at max flow (230 VAC) | Power consumption at max flow (115 VAC) | Weight |
| | min | max | | | | |
| | strokes hour | strokes minute | | | | |
| 253.2 | 1 | 120 | from 30% to 100% | 42 Watt | 24 Watt | 9 Kg (19.8 Lbs) |
| 1506 | 1 | 120 | | | | |
| 1010 | 1 | 120 | | | | |
| 0713 | 1 | 120 | | | | |
| 0330 | 1 | 120 | | | | |
| 0238,5 | 1 | 120 | | | | |

| MORE INFORMATION | | | | | | | | |
|------------------|------|------|-------|-------|---------------|------|------------------------|-----|
| AMS DIGITAL | Flow | | | | cc per Stroke | | Max injection pressure | |
| | min | max | Min | Max | min | max | bar | PSI |
| | cc/h | l/h | GPH | GPH | | | | |
| 2505 | 0,21 | 5 | 0,039 | 1.32 | 0,21 | 0.70 | 25 | 362 |
| 1510 | 0,42 | 10 | 0,079 | 2.64 | 0,42 | 1.4 | 15 | 217 |
| 1015 | 0.62 | 15 | 0,118 | 3.96 | 0.62 | 2.08 | 10 | 217 |
| 0720 | 0,83 | 20 | 0,158 | 5.28 | 0,83 | 2.8 | 7 | 101 |
| 0340 | 1,67 | 40 | 0,317 | 10.56 | 1,67 | 5.6 | 3 | 43 |
| 0260 | 2,31 | 60 | 0,61 | 15.85 | 2,31 | 7,7 | 2 | 29 |
| AMSA DIGITAL | Flow | | | | cc per Stroke | | Max injection pressure | |
| | min | max | Min | Max | min | max | bar | PSI |
| | cc/h | l/h | GPH | GPH | | | | |
| 253.2 | 0.44 | 3.2 | 0,025 | 0.85 | 0.13 | 0.44 | 25 | 362 |
| 1506 | 0.83 | 6 | 0,047 | 1.59 | 0.25 | 0.83 | 15 | 217 |
| 1010 | 1.39 | 10 | 0,079 | 2.64 | 0.48 | 1.39 | 10 | 217 |
| 0713 | 1.80 | 13 | 0,103 | 3.43 | 0.54 | 1.80 | 7 | 101 |
| 0330 | 4.16 | 30 | 0.33 | 7.9 | 1.25 | 4.16 | 3 | 43 |
| 0238.5 | 5.34 | 38.5 | 0.43 | 10.1 | 1.6 | 5.34 | 2 | 29 |

| QUANTITY | PACKAGE CONTENT |
|----------|---|
| n. 1 | Assembly kit |
| n. 1 | 5 X 20 delayed fuse |
| n. 1 | Level probe with axial foot filter (PVDF) |
| n. 1 | 0,3 Bar injection valve (PVDF) |
| m 2 | Delivery hose |
| m 2 | Suction hose |
| m 2 | Discharge hose |
| m 2,5 | Input signal cable |
| m 2 | Alarm/Stand-by cable (MF mod.) |
| n.1 | Operating manual |

| POWER SUPPLY | FUSE |
|-----------------------|--------|
| 230 VAC (190÷265 VAC) | 1,25 A |
| 115 VAC (90÷135 VAC) | 1,6 A |
| 24 VAC (20÷32 VAC) | 6,3 A |
| 12 VDC (10÷16 VDC) | 5 A |



KaRo BV
Tulpenmarkt 4
1681 PK Zwaagdijk

T 0228 - 56 31 35
E info@karobv.nl
www.karobv.nl



PULSPOMP AMS SERIE

EMEC PULSPOMPEN AMS MF

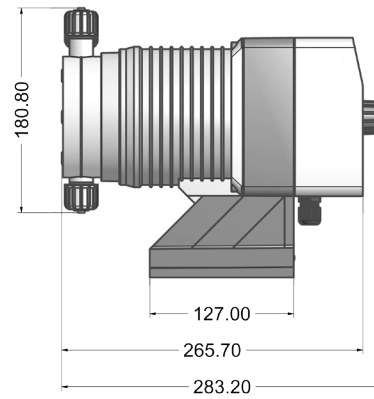
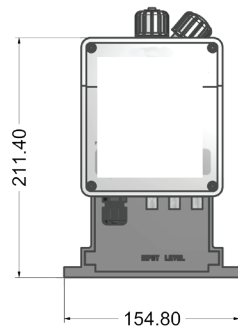
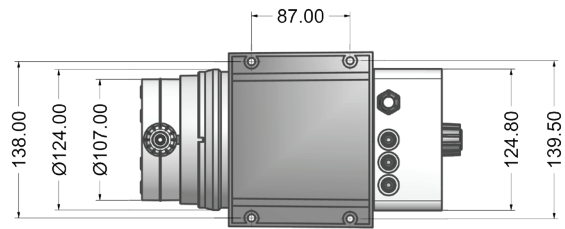
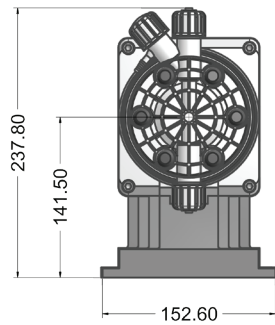
Tuinbouwtechniek
& -benodigheden



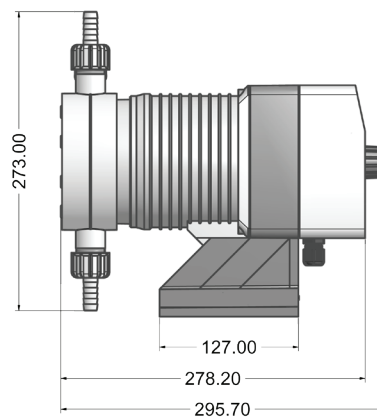
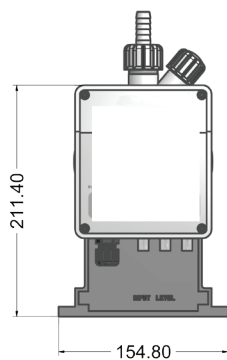
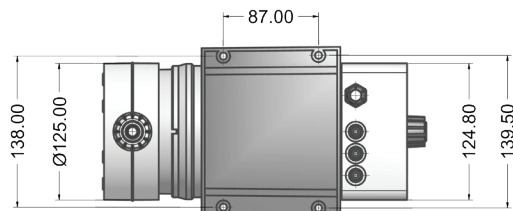
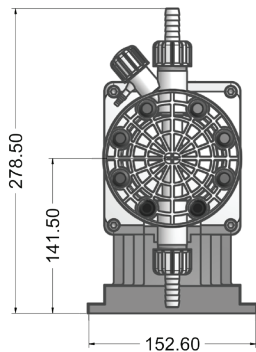
"N" - "P" pump head

Dimensions

mm [inch]



"S" - "T" pump head



KaRo BV
Tulpenmarkt 4
1681 PK Zwaagdijk

T 0228 - 56 31 35
E info@karobv.nl
www.karobv.nl

