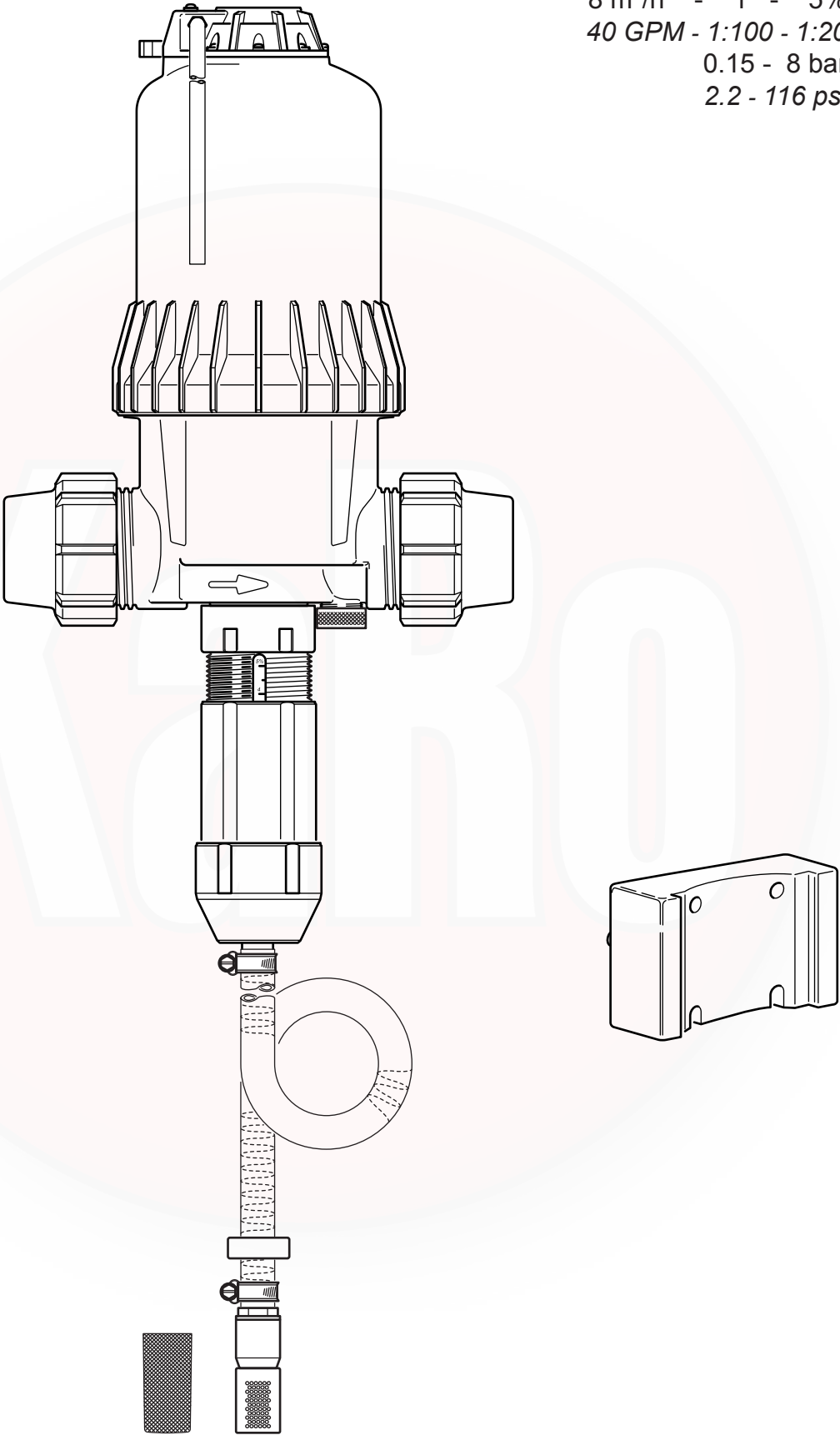


D8R150

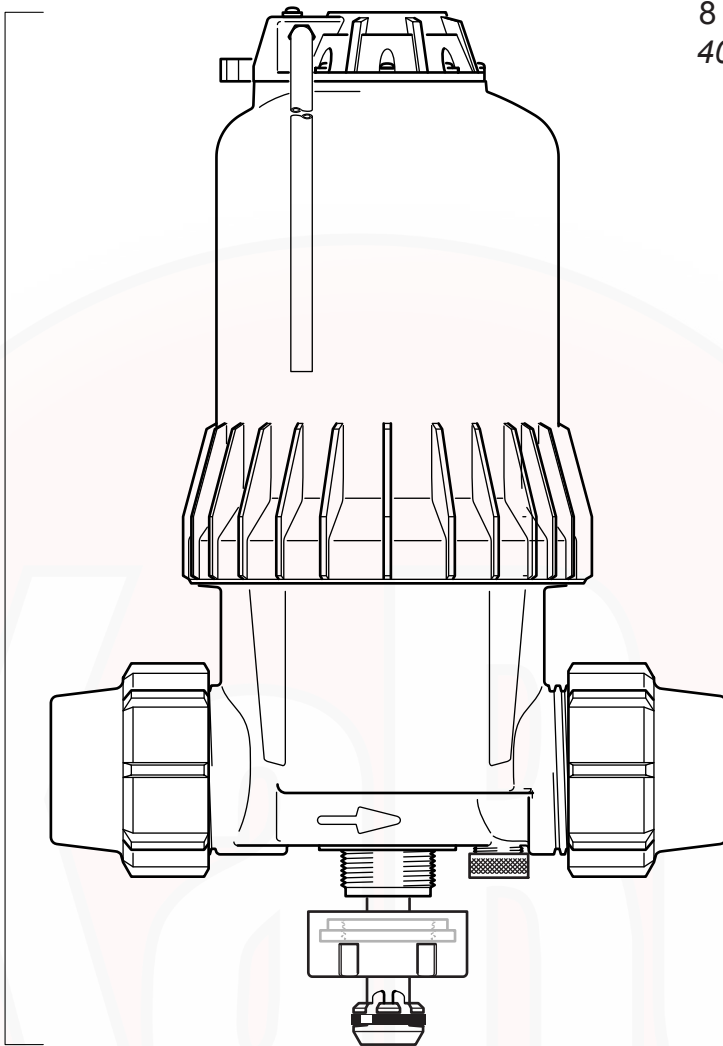
8 m³/h - 1 - 5%
40 GPM - 1:100 - 1:20
0.15 - 8 bar
2.2 - 116 psi



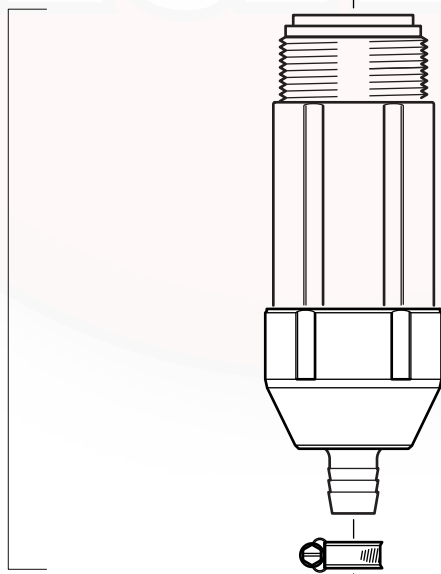
D8R150

8 m³/h - 1 - 5%
40 GPM - 1:100 - 1:20
0.15 - 8 bar
2.2 - 116 psi

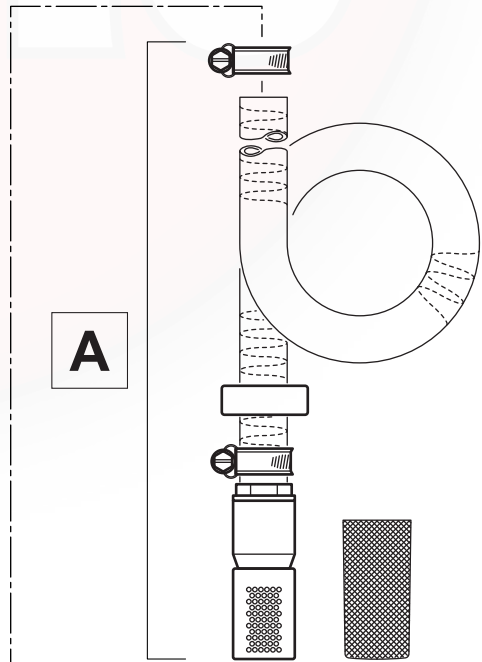
C+M



D

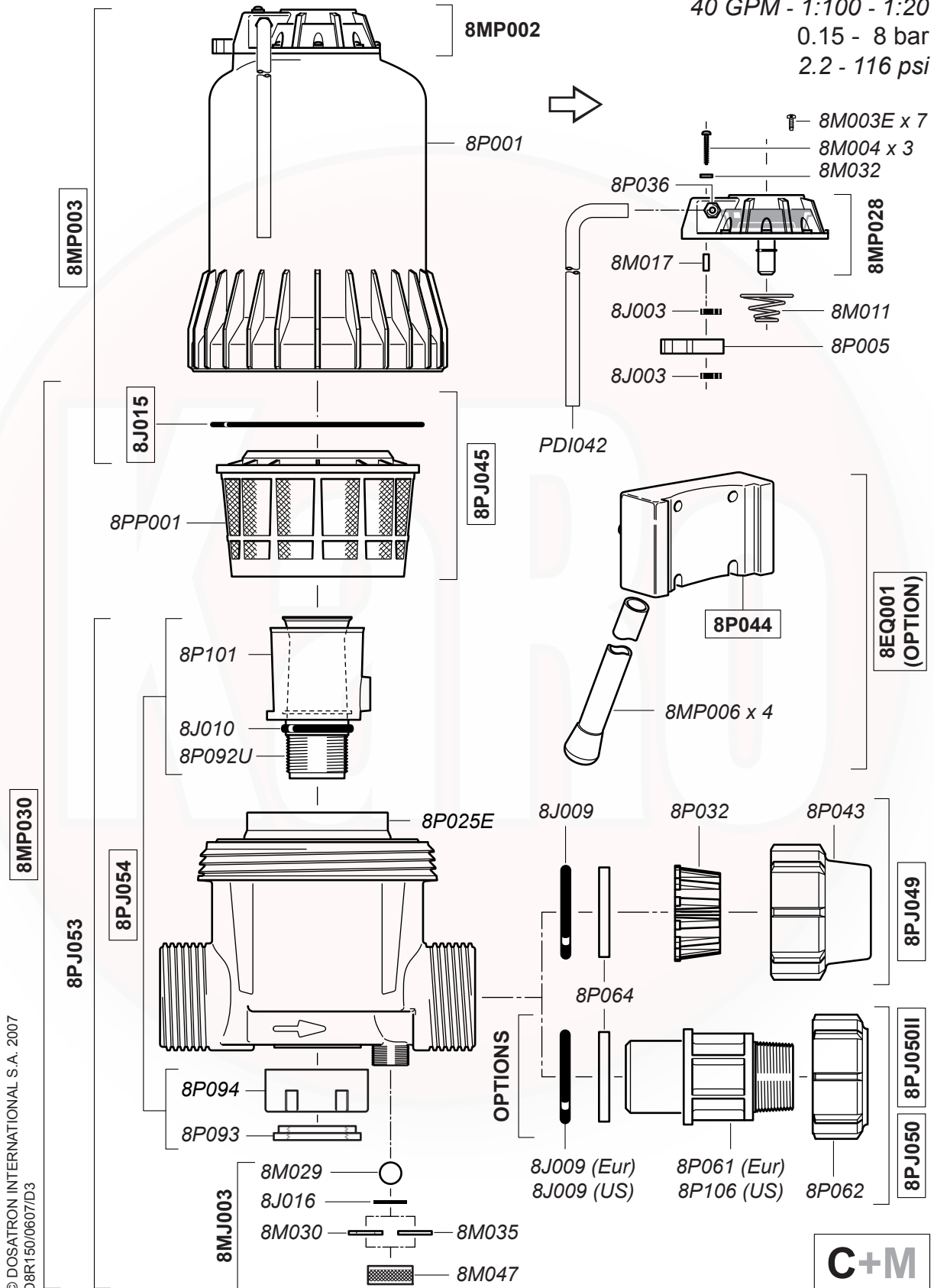


A



D8R150

8 m³/h - 1 - 5%
 40 GPM - 1:100 - 1:20
 0.15 - 8 bar
 2.2 - 116 psi

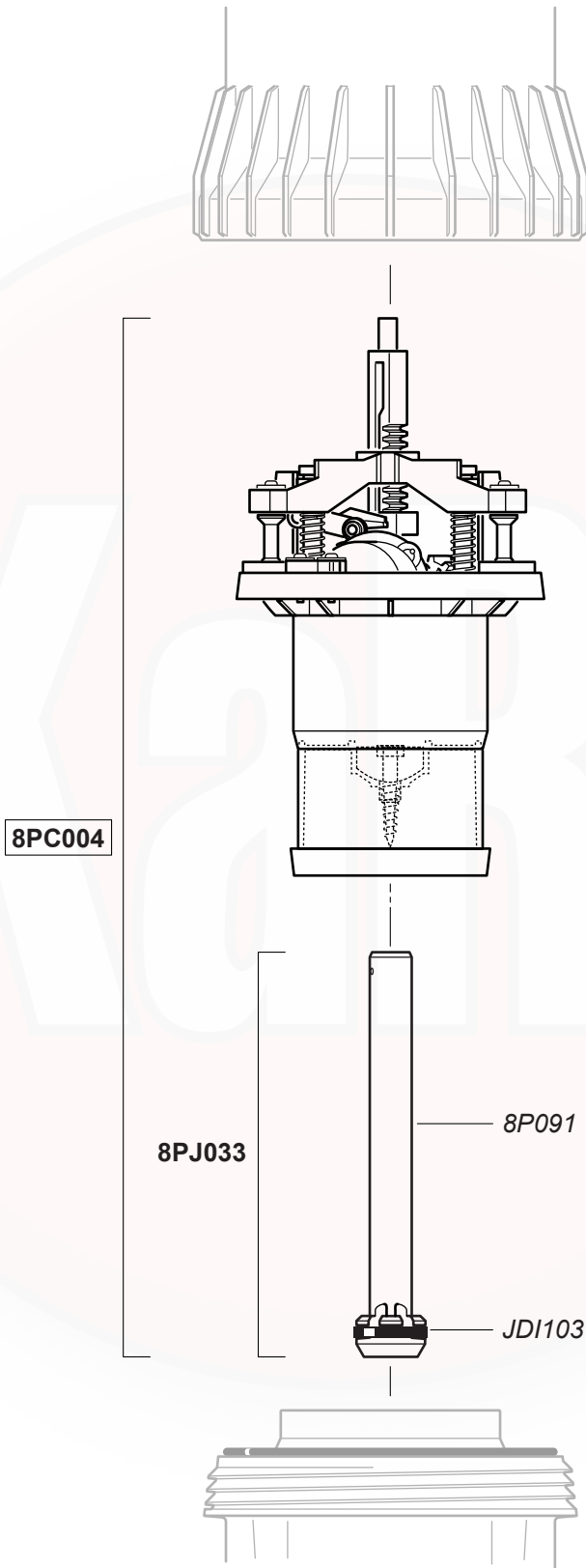


© DOSATRON INTERNATIONAL S.A. 2007
 D8R150/0607/D3



D8R150

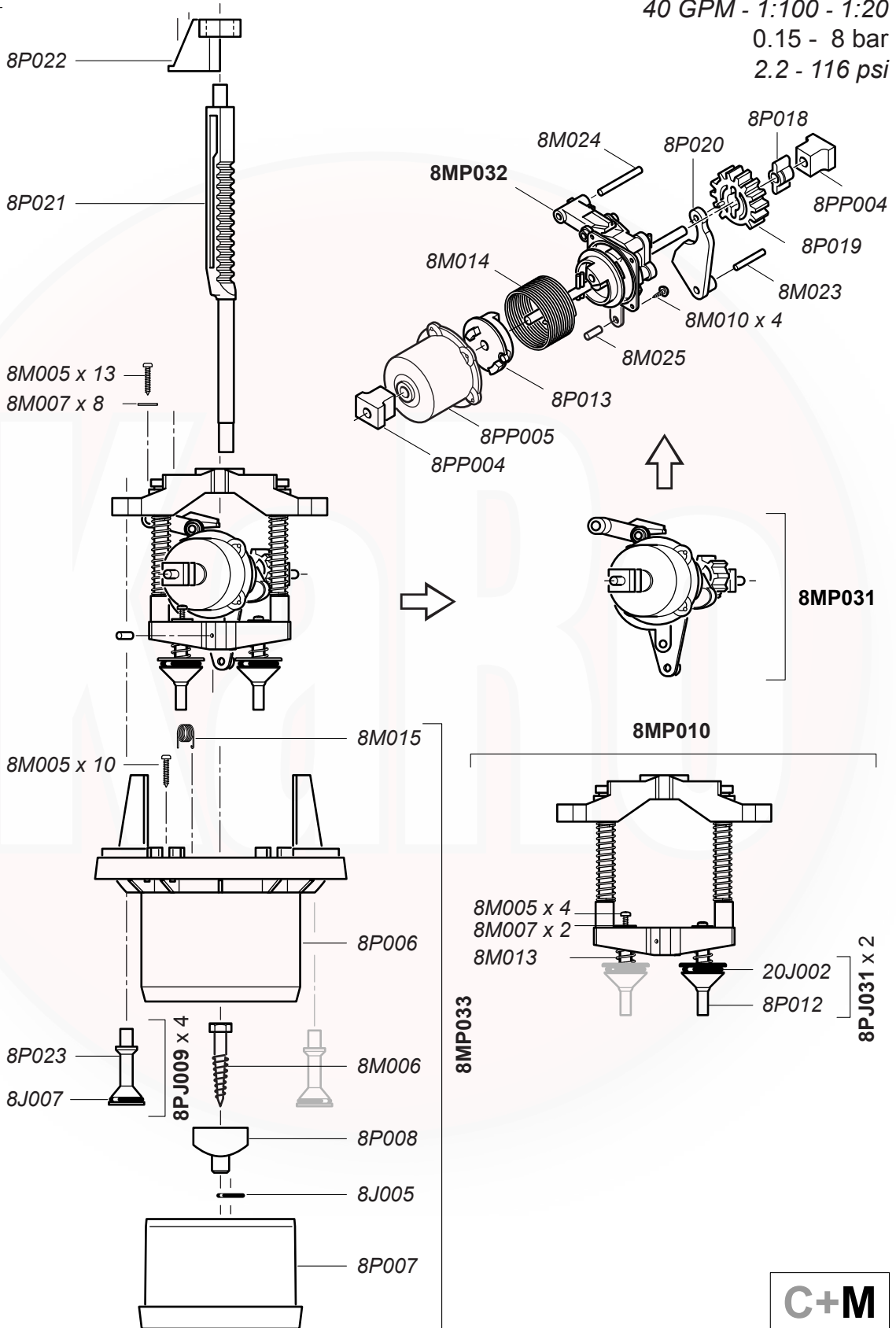
8 m³/h - 1 - 5%
40 GPM - 1:100 - 1:20
0.15 - 8 bar
2.2 - 116 psi



D8R150

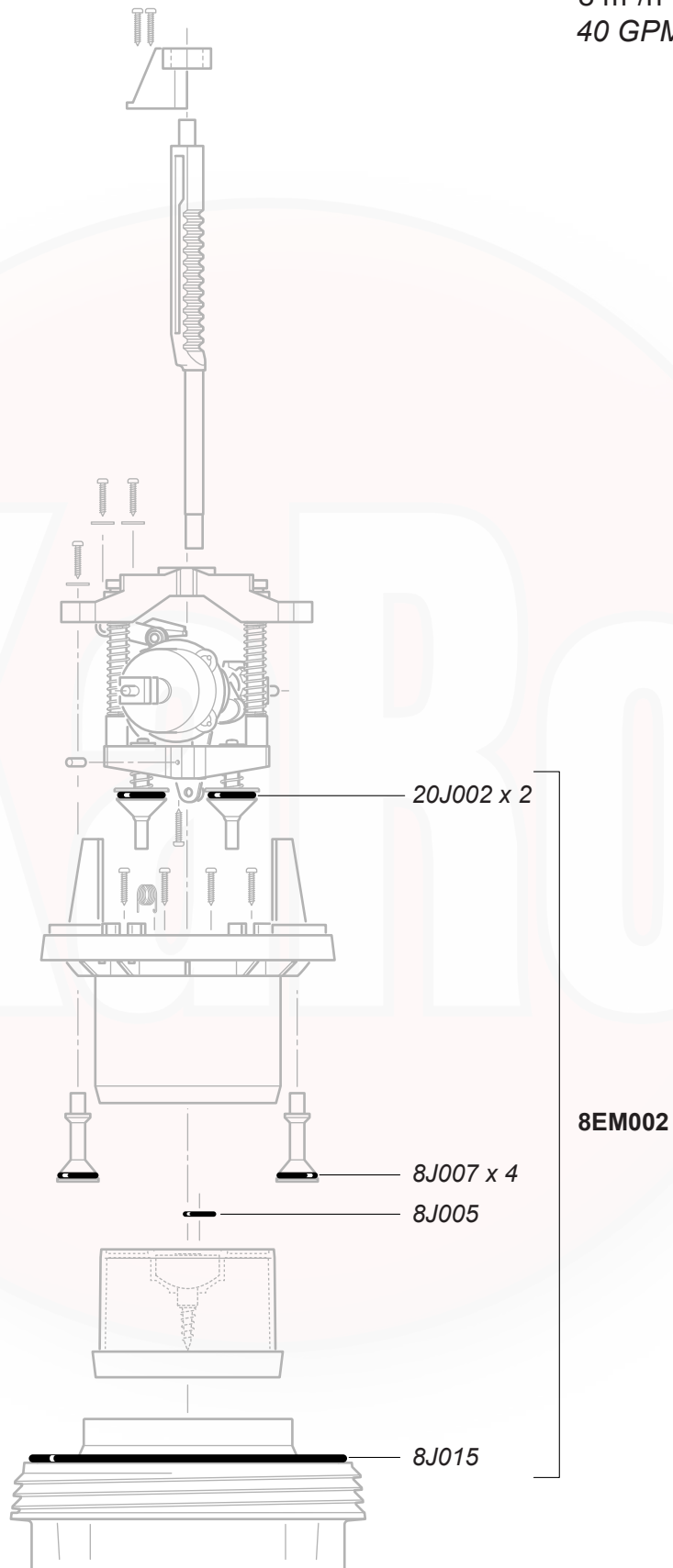
8 m³/h - 1 - 5%
 40 GPM - 1:100 - 1:20
 0.15 - 8 bar
 2.2 - 116 psi

8PC002



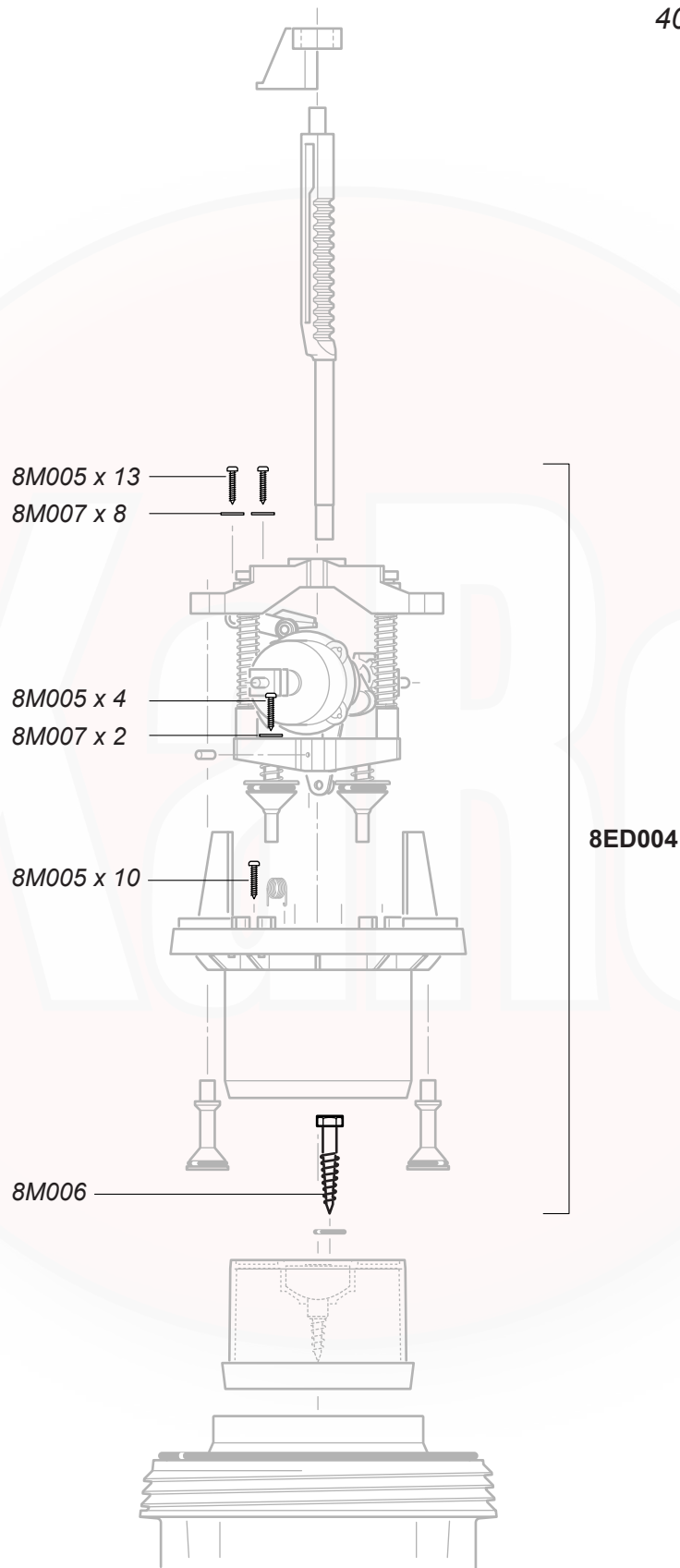
D8R150

8 m³/h - 1 - 5%
40 GPM - 1:100 - 1:20
0.15 - 8 bar
2.2 - 116 psi



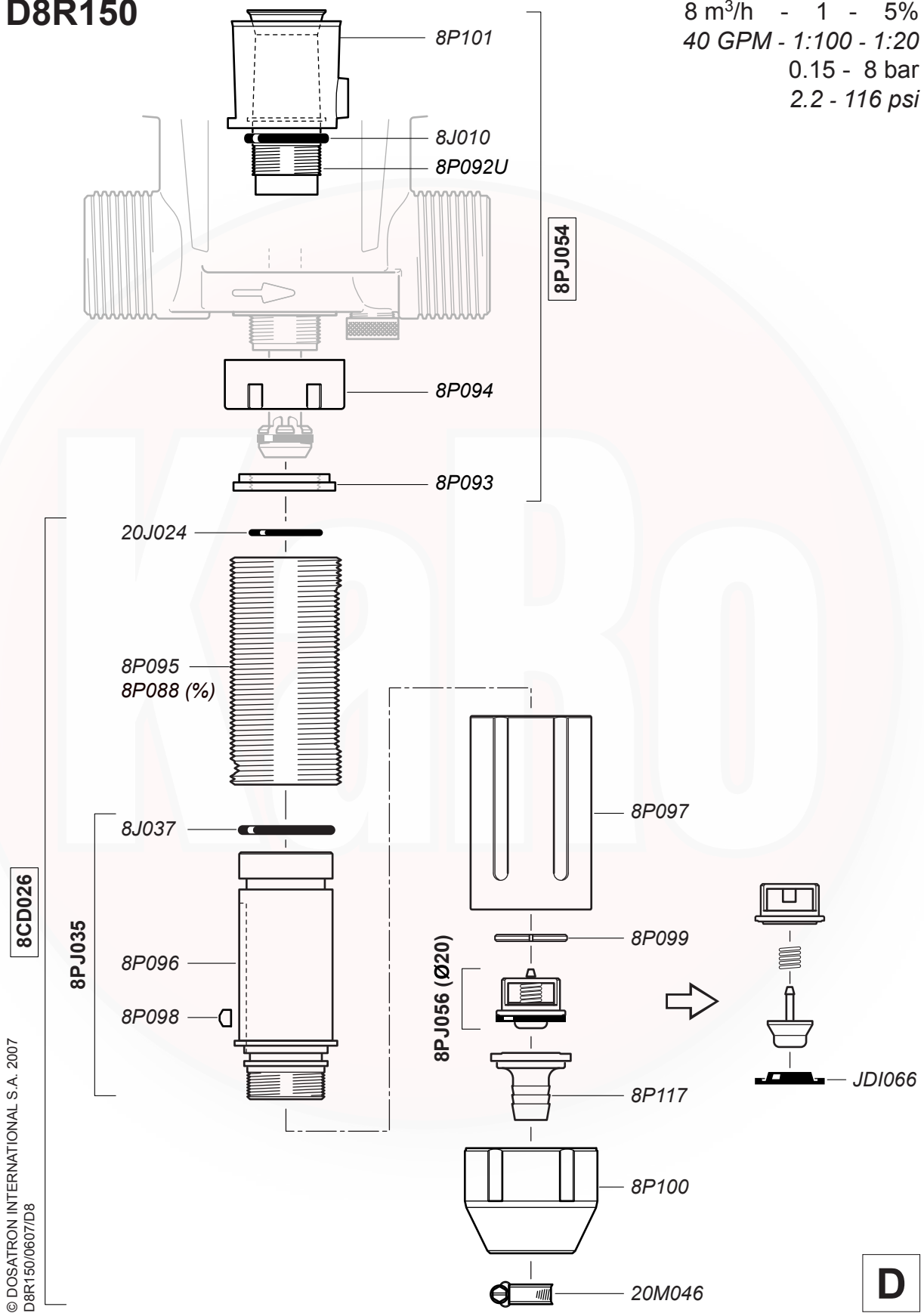
D8R150

8 m³/h - 1 - 5%
40 GPM - 1:100 - 1:20
0.15 - 8 bar
2.2 - 116 psi



D8R150

8 m³/h - 1 - 5%
 40 GPM - 1:100 - 1:20
 0.15 - 8 bar
 2.2 - 116 psi

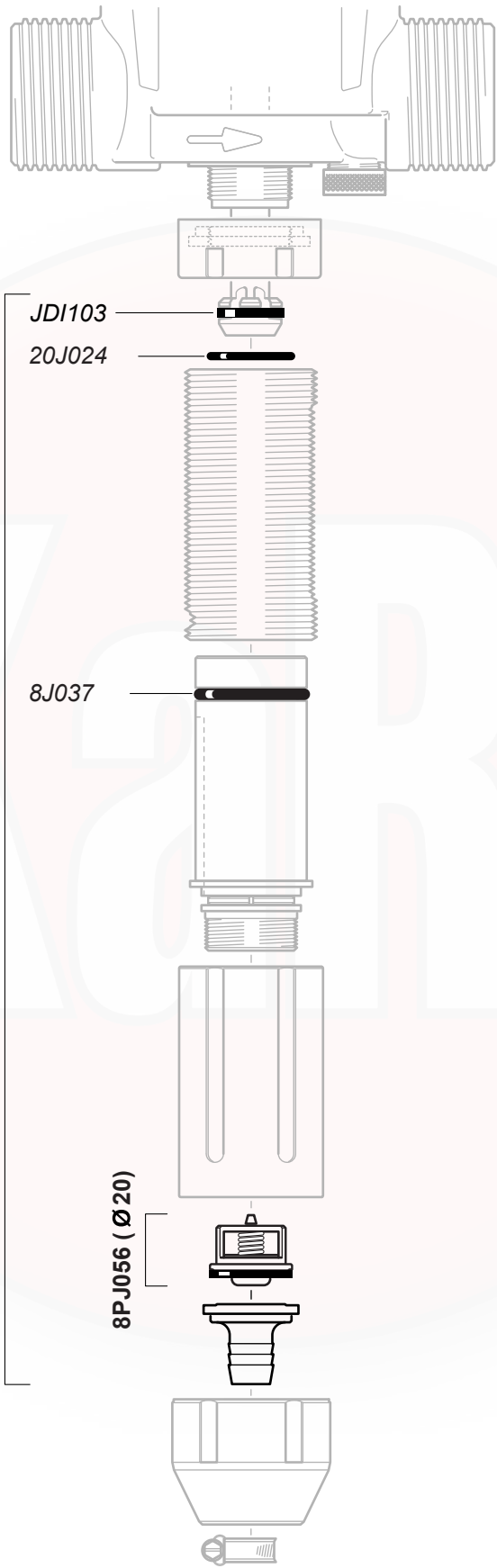


© DOSATRON INTERNATIONAL S.A. 2007
 D8R150/0607/D8

D

D8R150

8 m³/h - 1 - 5%
40 GPM - 1:100 - 1:20
0.15 - 8 bar
2.2 - 116 psi



8PJ057

JDI103
20J024

8J037

8PJ056 (Ø 20)

D

D8R150

8 m³/h - 1 - 5%
40 GPM - 1:100 - 1:20
0.15 - 8 bar
2.2 - 116 psi

