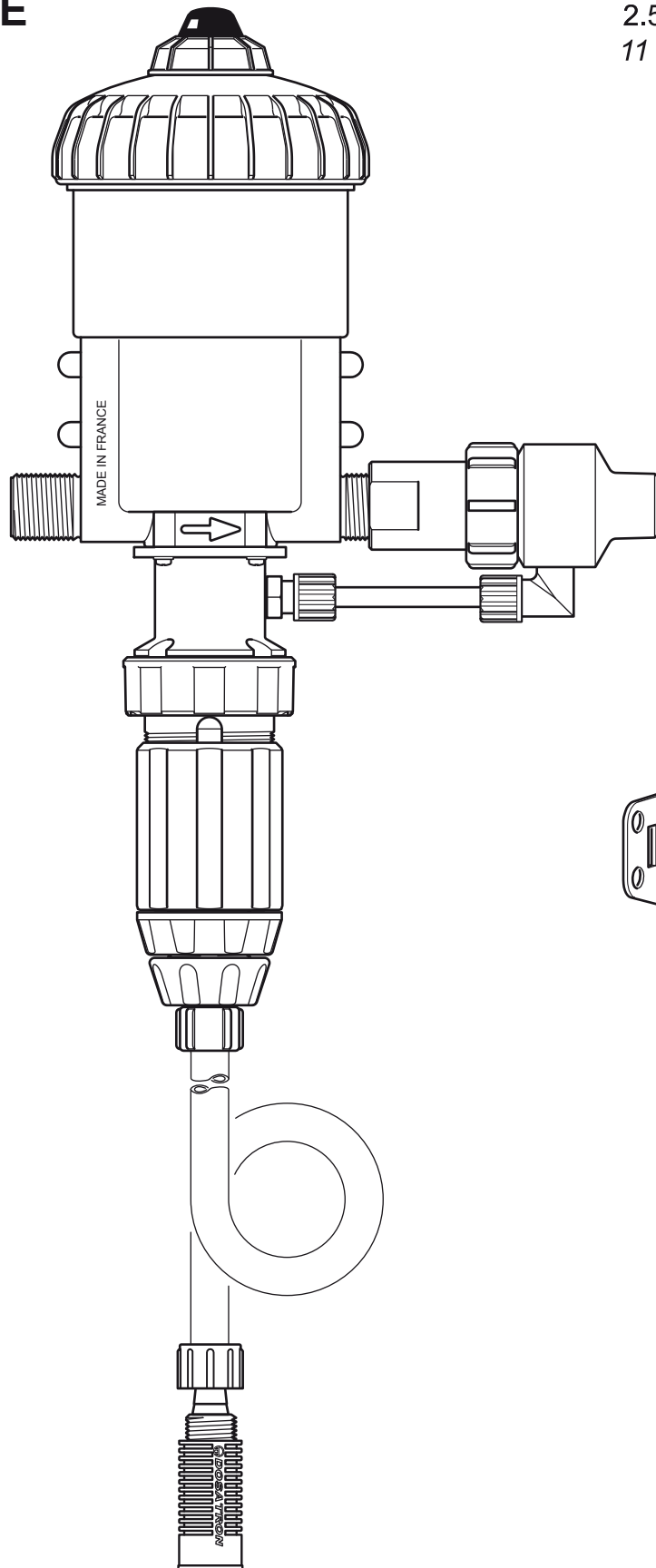


# D25RE5-IE

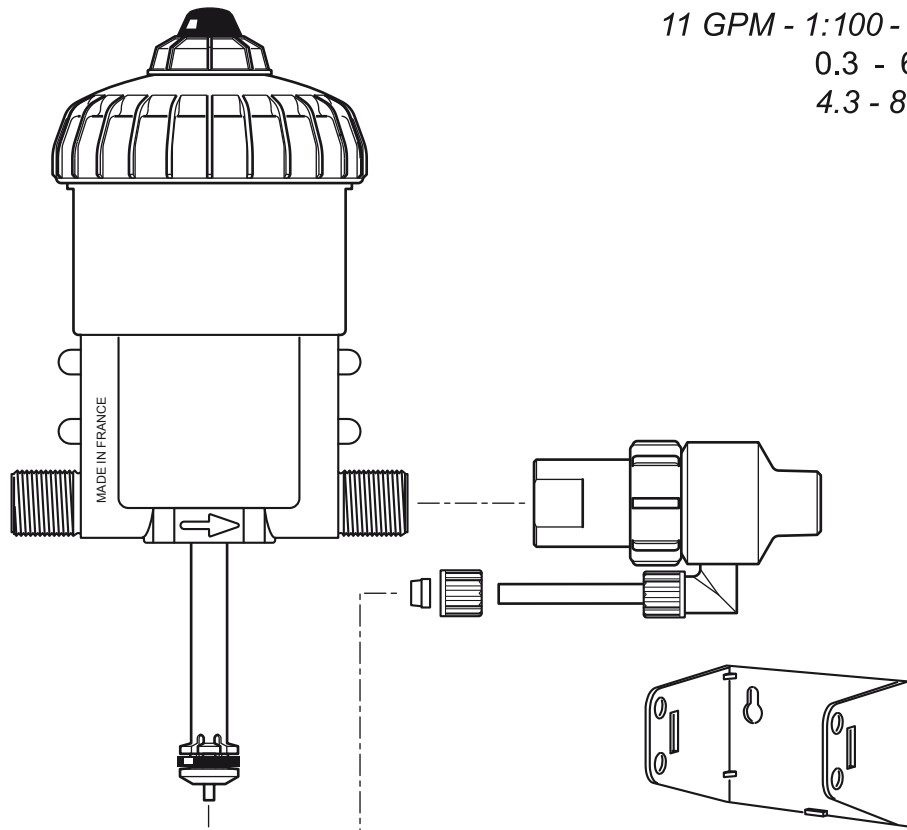
2.5 m<sup>3</sup>/h - 1 - 5%  
11 GPM - 1:100 - 1:20  
0.3 - 6 bar  
4.3 - 85 psi



# D25RE5-IE

2.5 m<sup>3</sup>/h - 1 - 5%  
11 GPM - 1:100 - 1:20  
0.3 - 6 bar  
4.3 - 85 psi

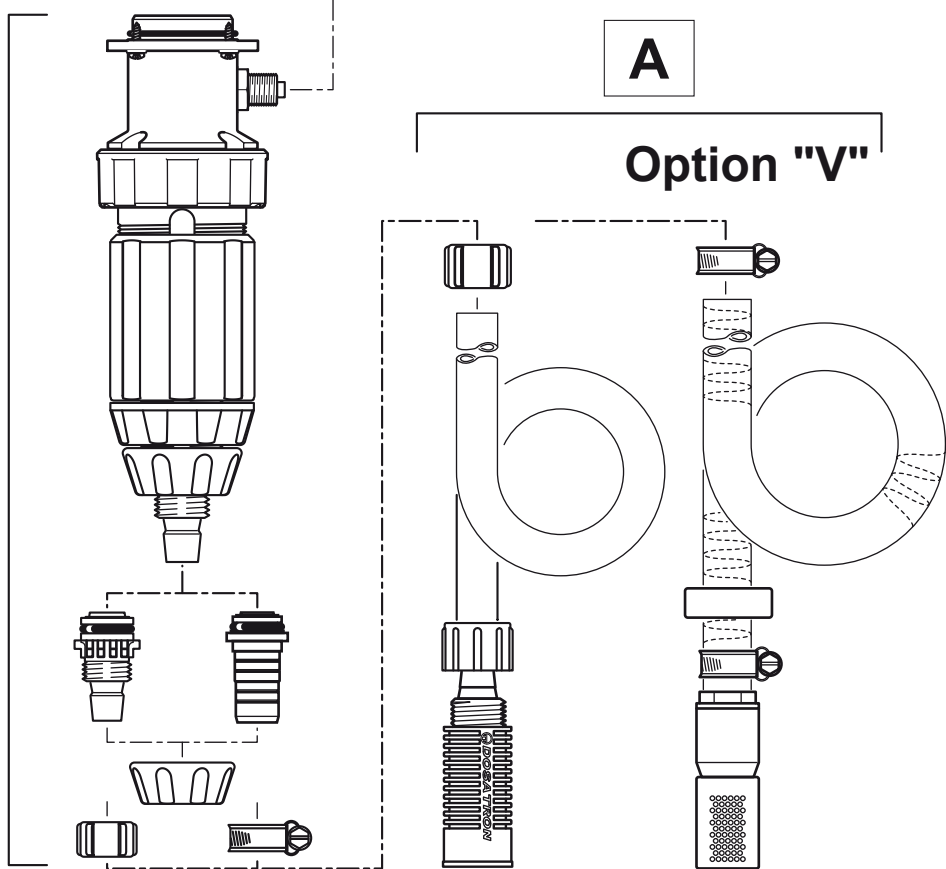
**C+M**



**A**

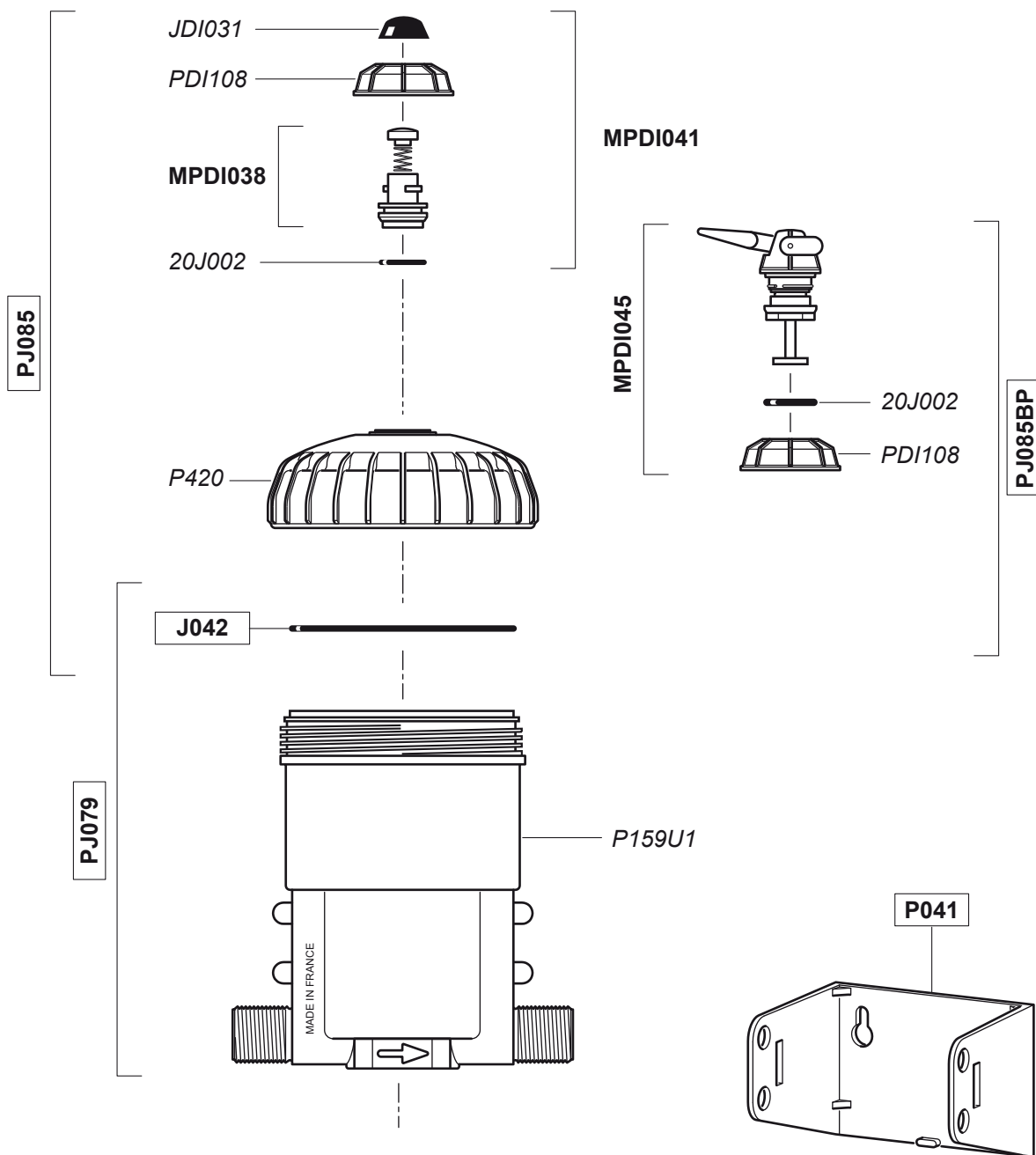
**Option "V"**

**D+IE**



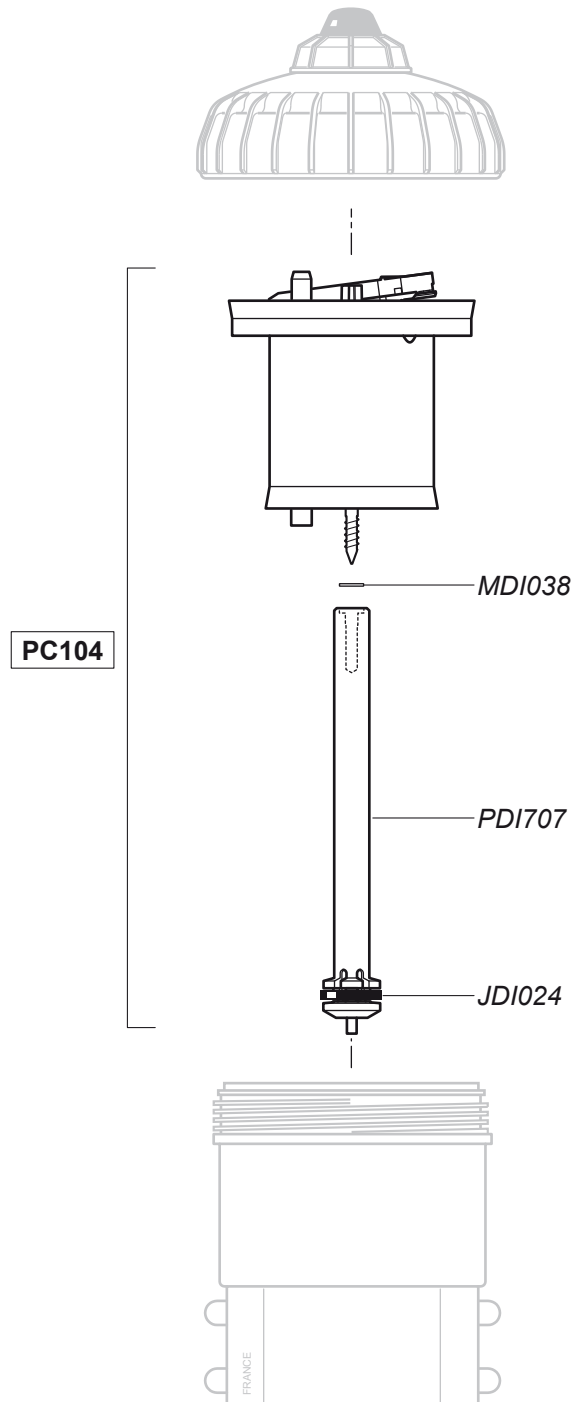
# D25RE5-IE

2.5 m<sup>3</sup>/h - 1 - 5%  
 11 GPM - 1:100 - 1:20  
 0.3 - 6 bar  
 4.3 - 85 psi



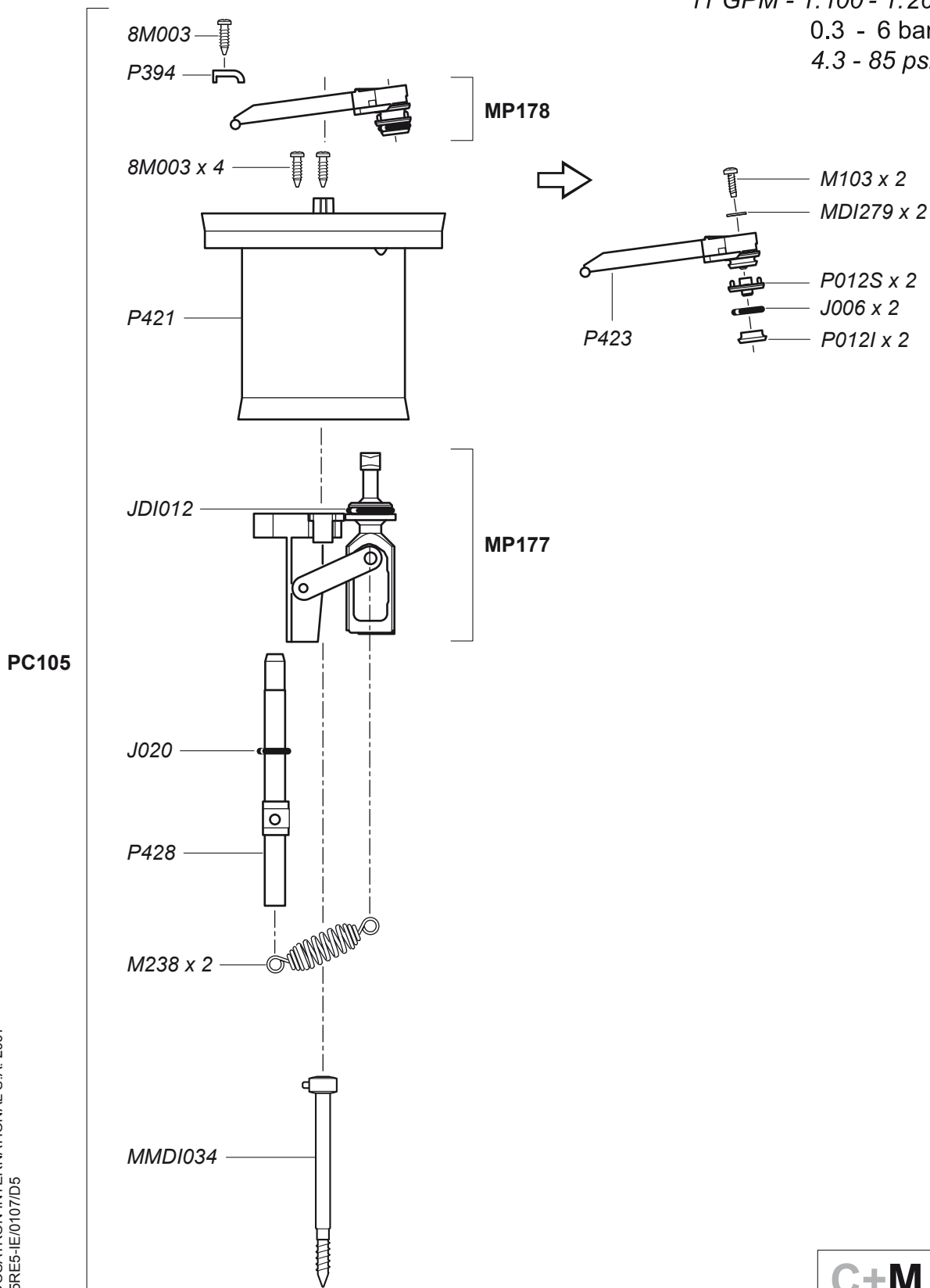
# D25RE5-IE

2.5 m<sup>3</sup>/h - 1 - 5%  
11 GPM - 1:100 - 1:20  
0.3 - 6 bar  
4.3 - 85 psi



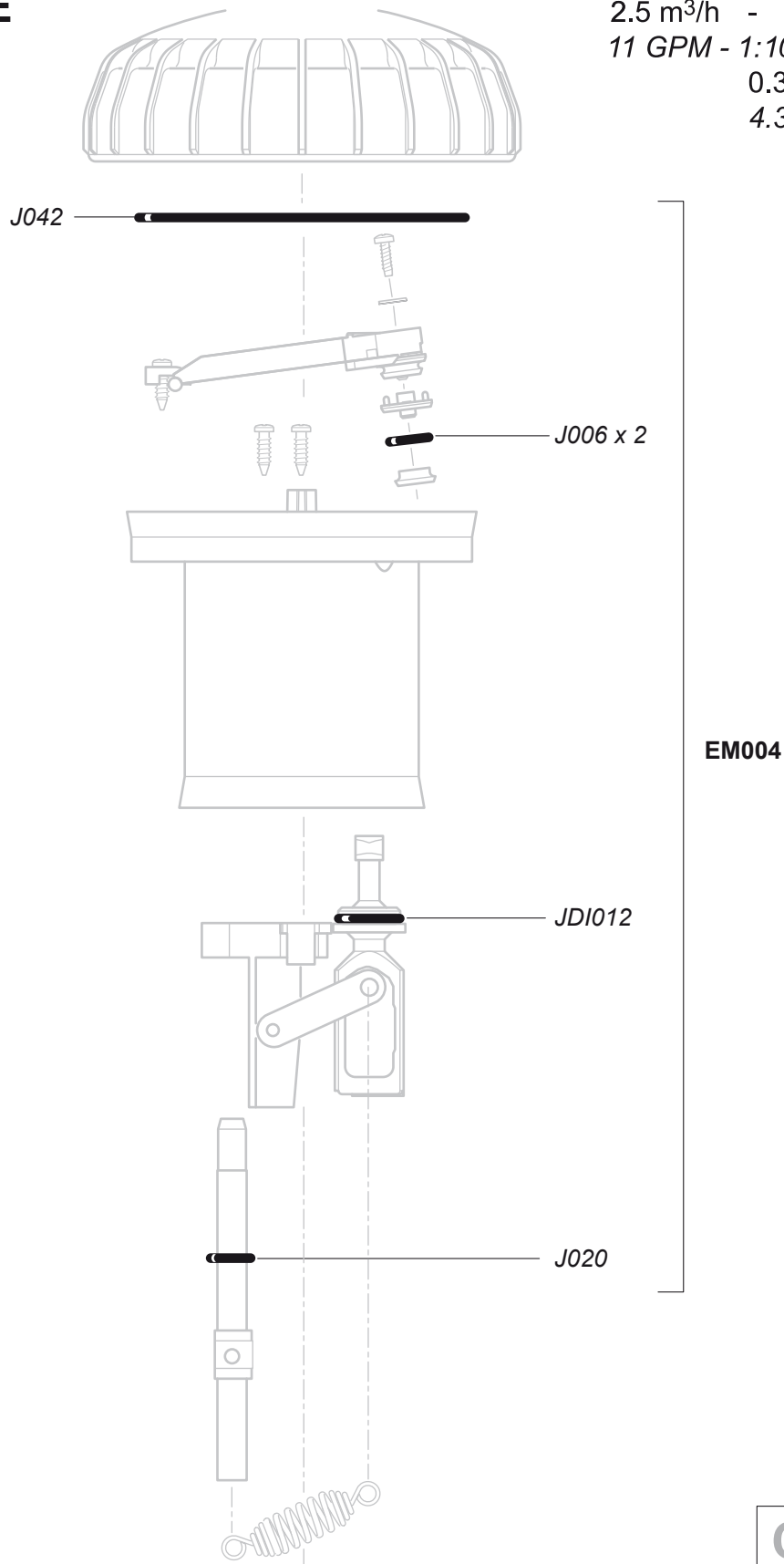
# D25RE5-IE

2.5 m<sup>3</sup>/h - 1 - 5%  
 11 GPM - 1:100 - 1:20  
 0.3 - 6 bar  
 4.3 - 85 psi



# D25RE5-IE

2.5 m<sup>3</sup>/h - 1 - 5%  
11 GPM - 1:100 - 1:20  
0.3 - 6 bar  
4.3 - 85 psi

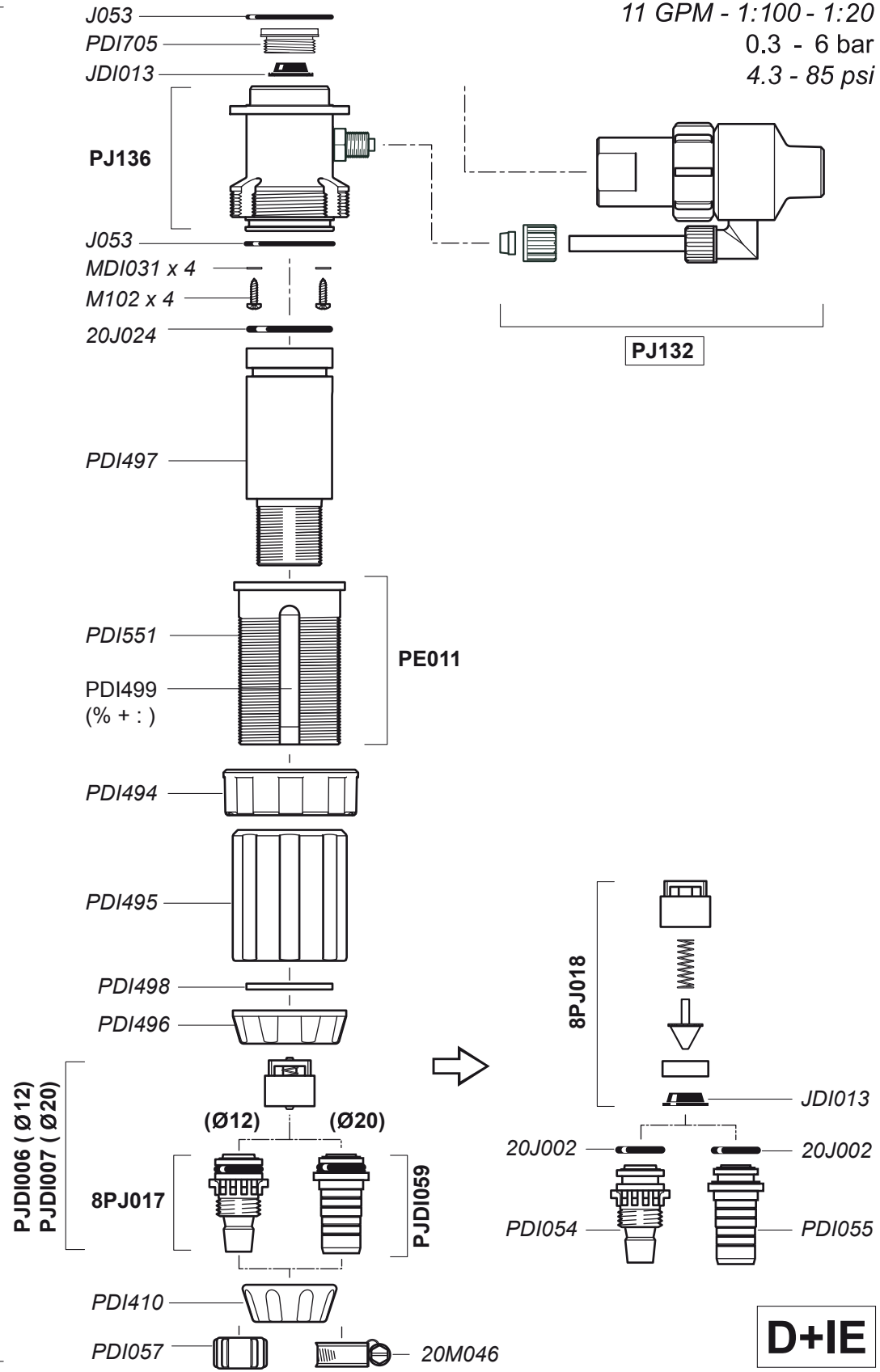


# D25RE5-IE

2.5 m<sup>3</sup>/h - 1 - 5%  
 11 GPM - 1:100 - 1:20  
 0.3 - 6 bar  
 4.3 - 85 psi

CD101 (Ø12)  
 CD101V (Ø20)

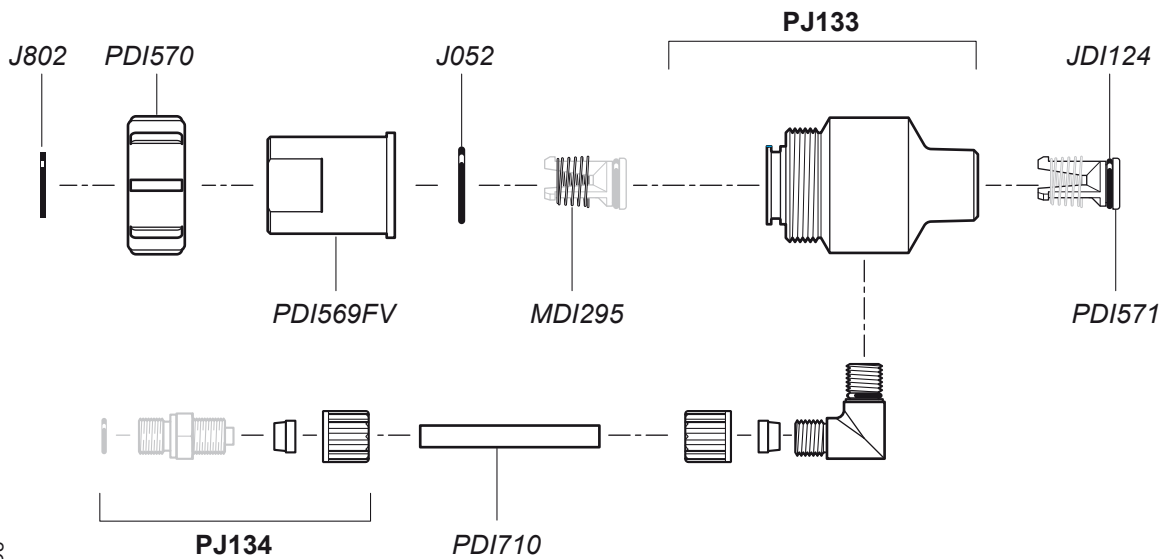
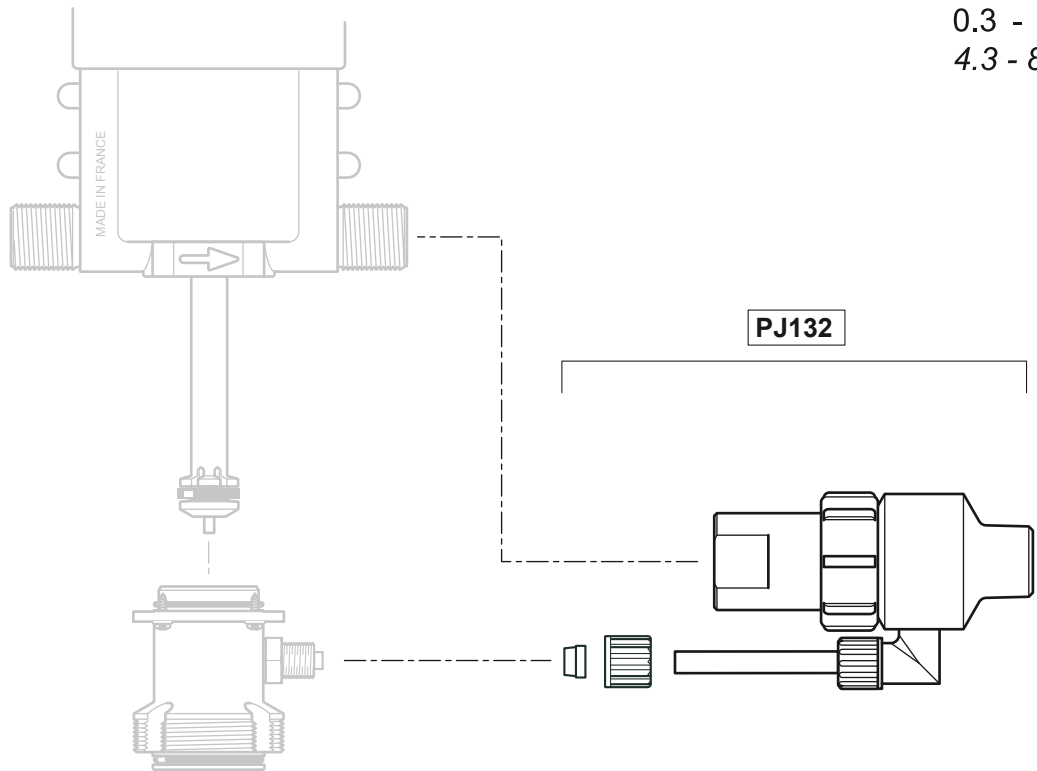
© DOSATRON INTERNATIONAL S.A. 2007  
 D25RE5-IE/0107/D7



**D+IE**

# D25RE5-IE

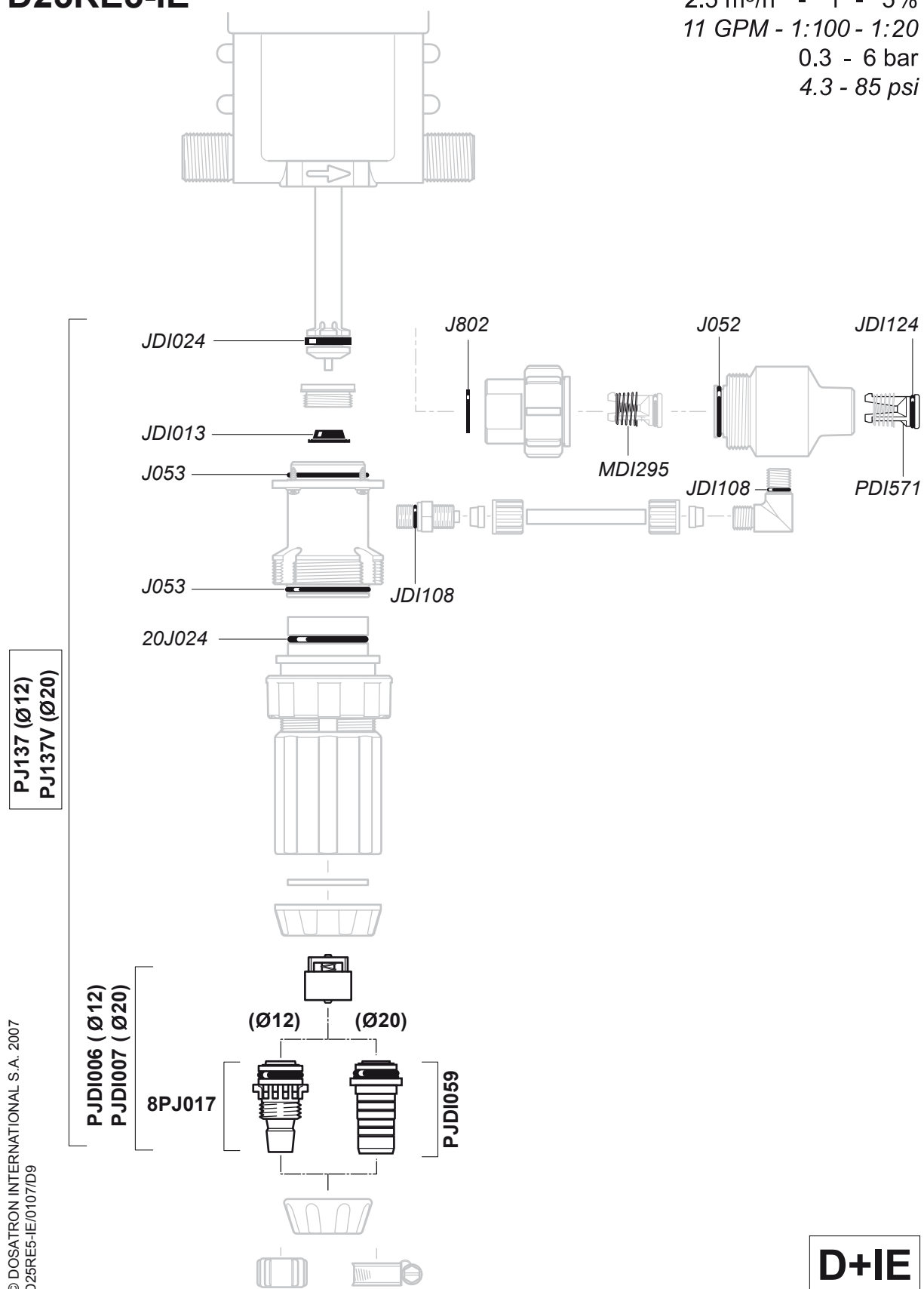
2.5 m<sup>3</sup>/h - 1 - 5%  
11 GPM - 1:100 - 1:20  
0.3 - 6 bar  
4.3 - 85 psi





# D25RE5-IE

2.5 m<sup>3</sup>/h - 1 - 5%  
 11 GPM - 1:100 - 1:20  
 0.3 - 6 bar  
 4.3 - 85 psi



PJ137 (Ø12)  
 PJ137V (Ø20)

© DOSATRON INTERNATIONAL S.A. 2007  
 D25RE5-IE/0107/D9

PJD1006 (Ø12)  
 PJD1007 (Ø20)

8PJ017

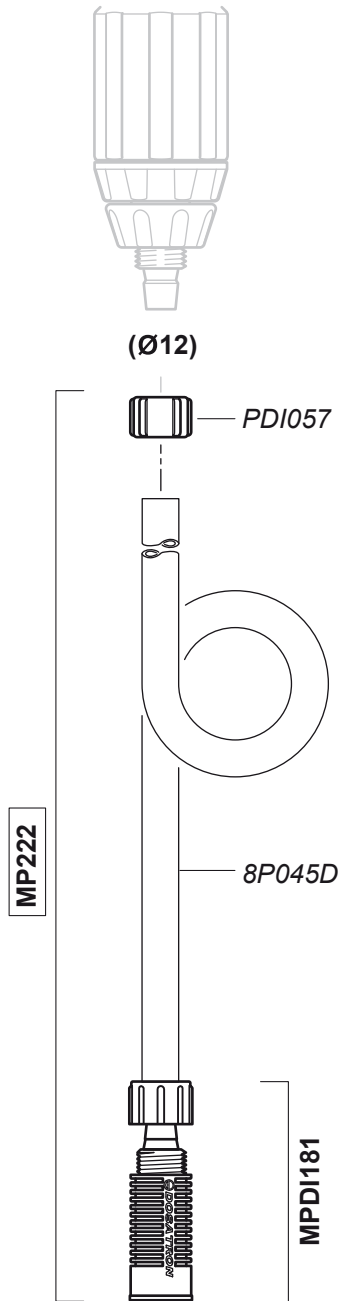
(Ø12) (Ø20)

PJD1059



# D25RE5-IE

2.5 m<sup>3</sup>/h - 1 - 5%  
11 GPM - 1:100 - 1:20  
0.3 - 6 bar  
4.3 - 85 psi



## Option "V"

