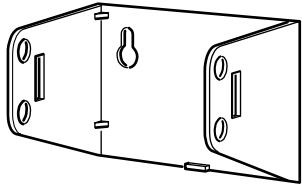
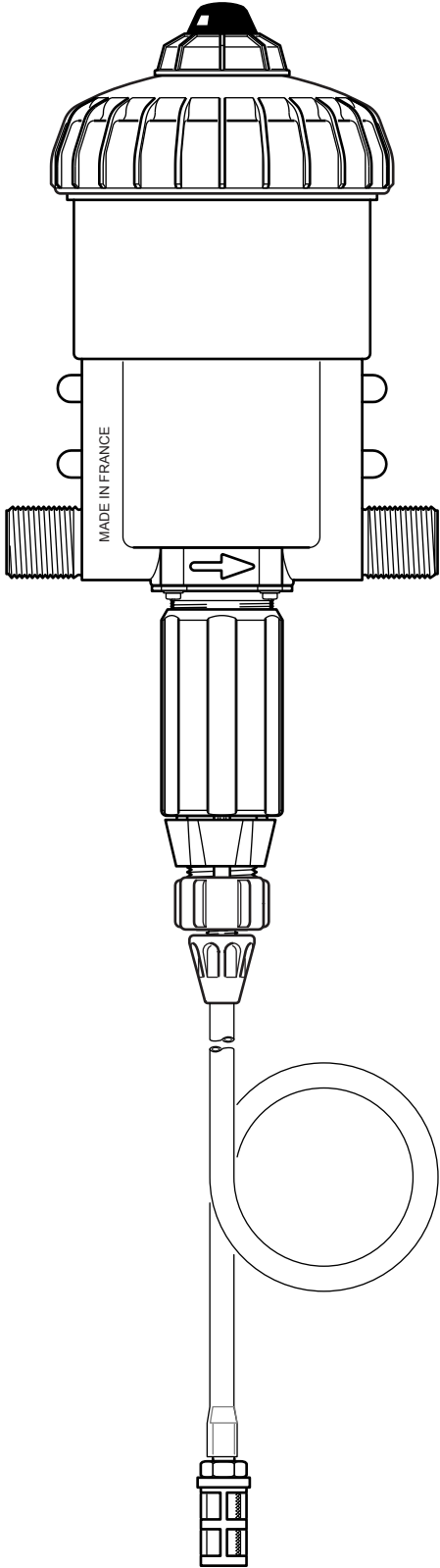


# D25RE1500

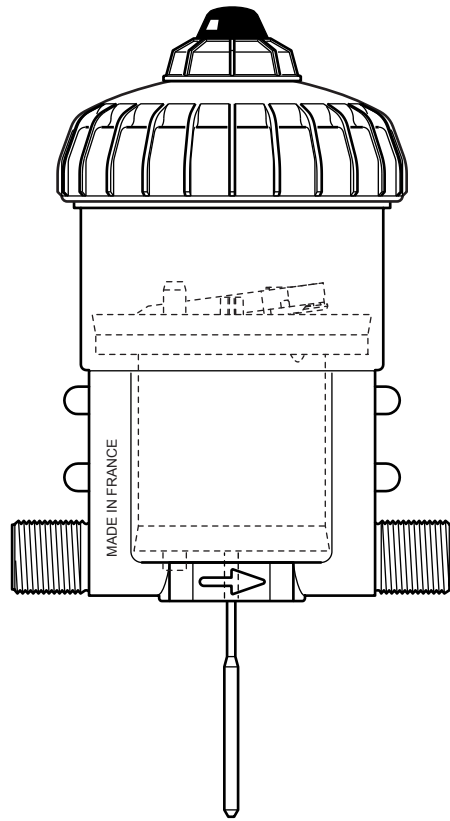
2.5 m<sup>3</sup>/h - 0.07 - 0.2%  
11 GPM - 1:1500 - 1:500  
0.3 - 6 bar  
4.3 - 85 psi



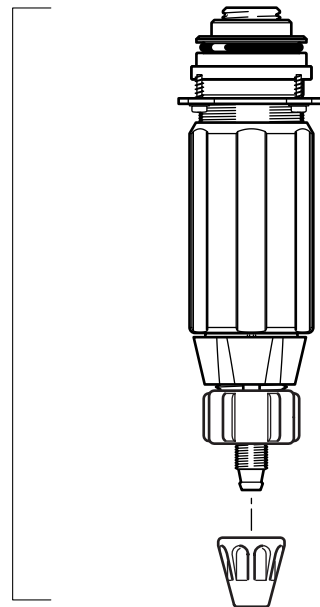
# D25RE1500

2.5 m<sup>3</sup>/h - 0.07 - 0.2%  
11 GPM - 1:1500 - 1:500  
0.3 - 6 bar  
4.3 - 85 psi

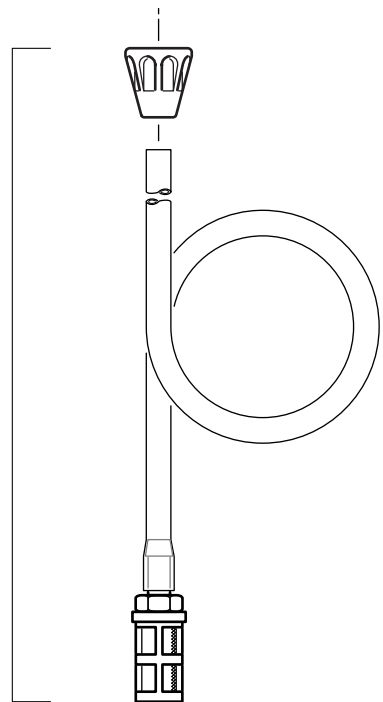
**C+M**



**D**

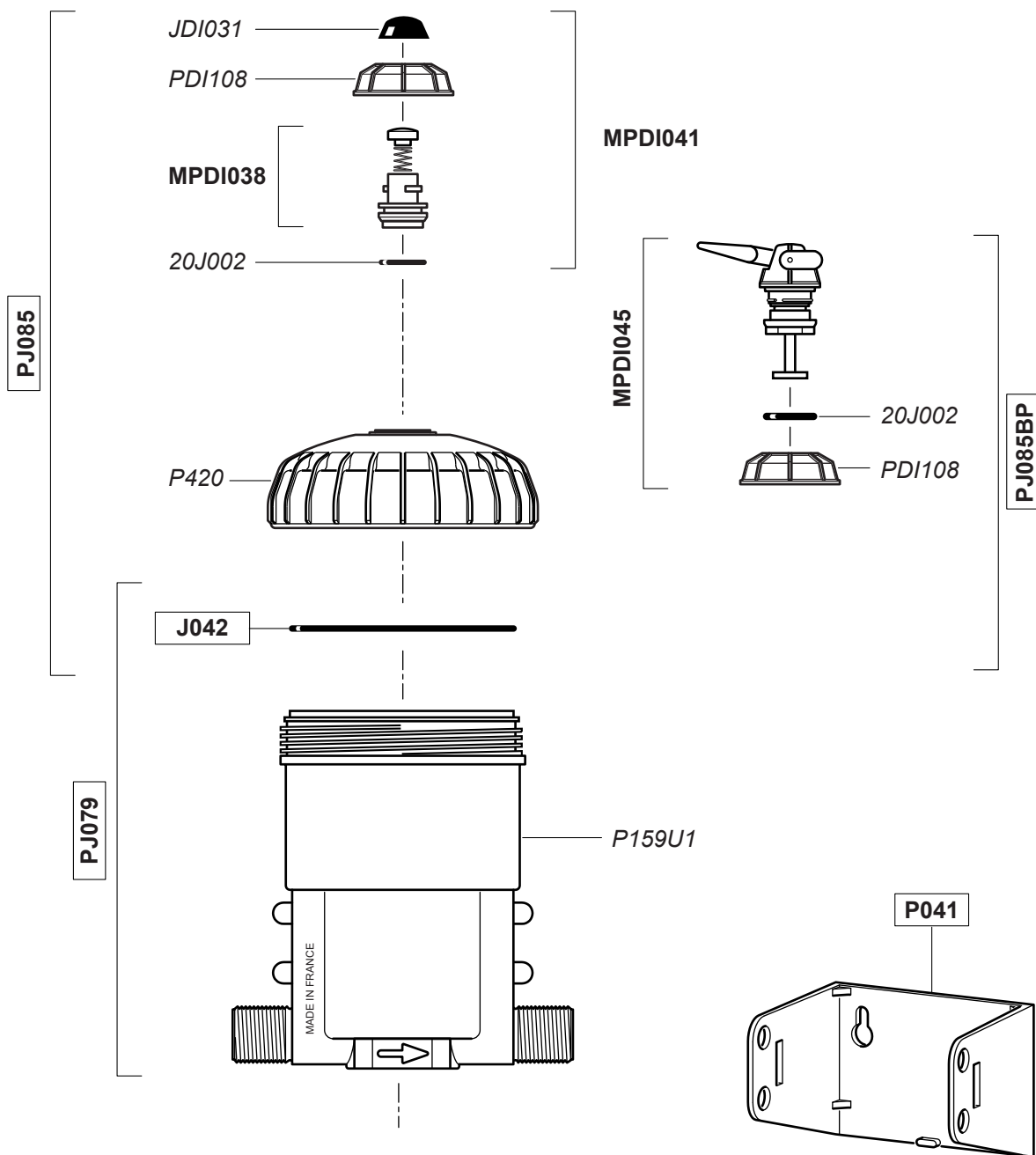


**A**



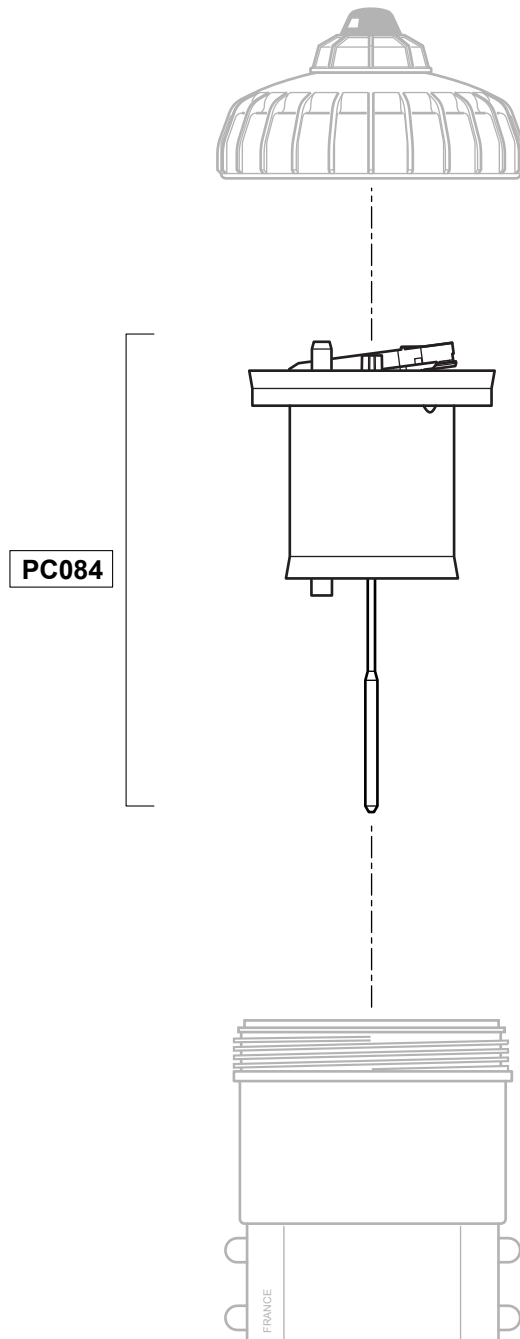
# D25RE1500

2.5 m<sup>3</sup>/h - 0.07 - 0.2%  
 11 GPM - 1:1500 - 1:500  
 0.3 - 6 bar  
 4.3 - 85 psi



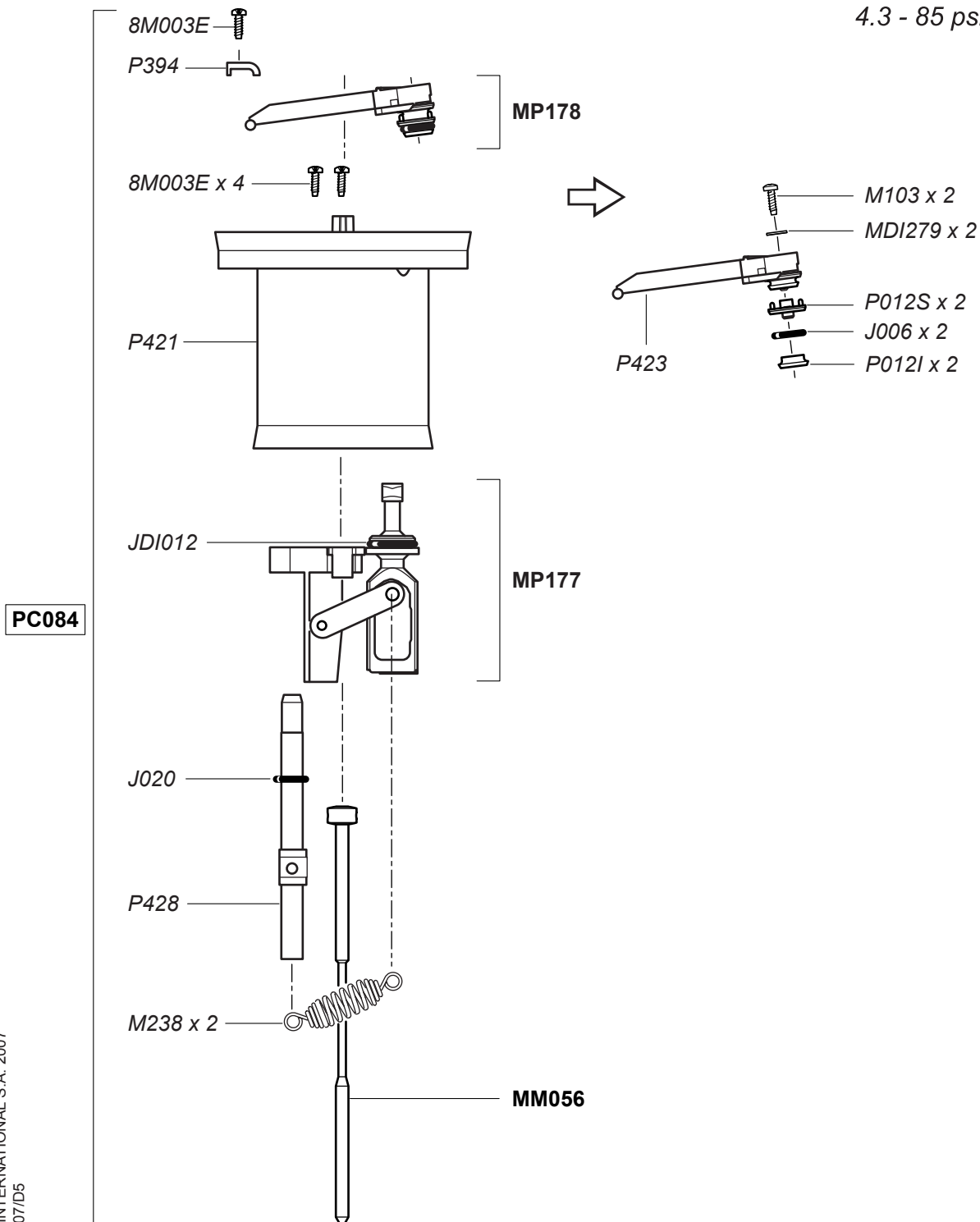
# D25RE1500

2.5 m<sup>3</sup>/h - 0.07 - 0.2%  
11 GPM - 1:1500 - 1:500  
0.3 - 6 bar  
4.3 - 85 psi



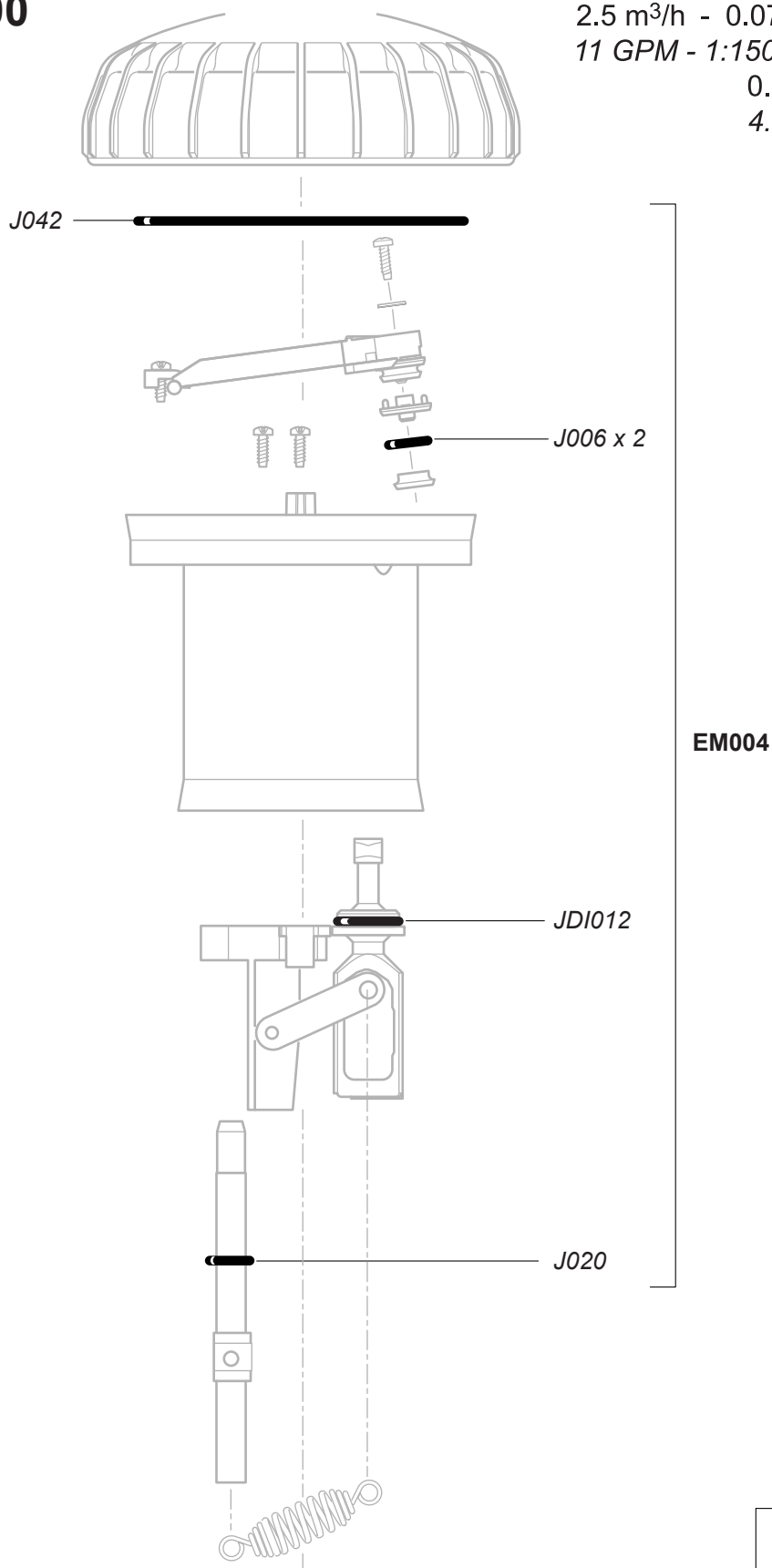
# D25RE1500

2.5 m<sup>3</sup>/h - 0.07 - 0.2%  
 11 GPM - 1:1500 - 1:500  
 0.3 - 6 bar  
 4.3 - 85 psi



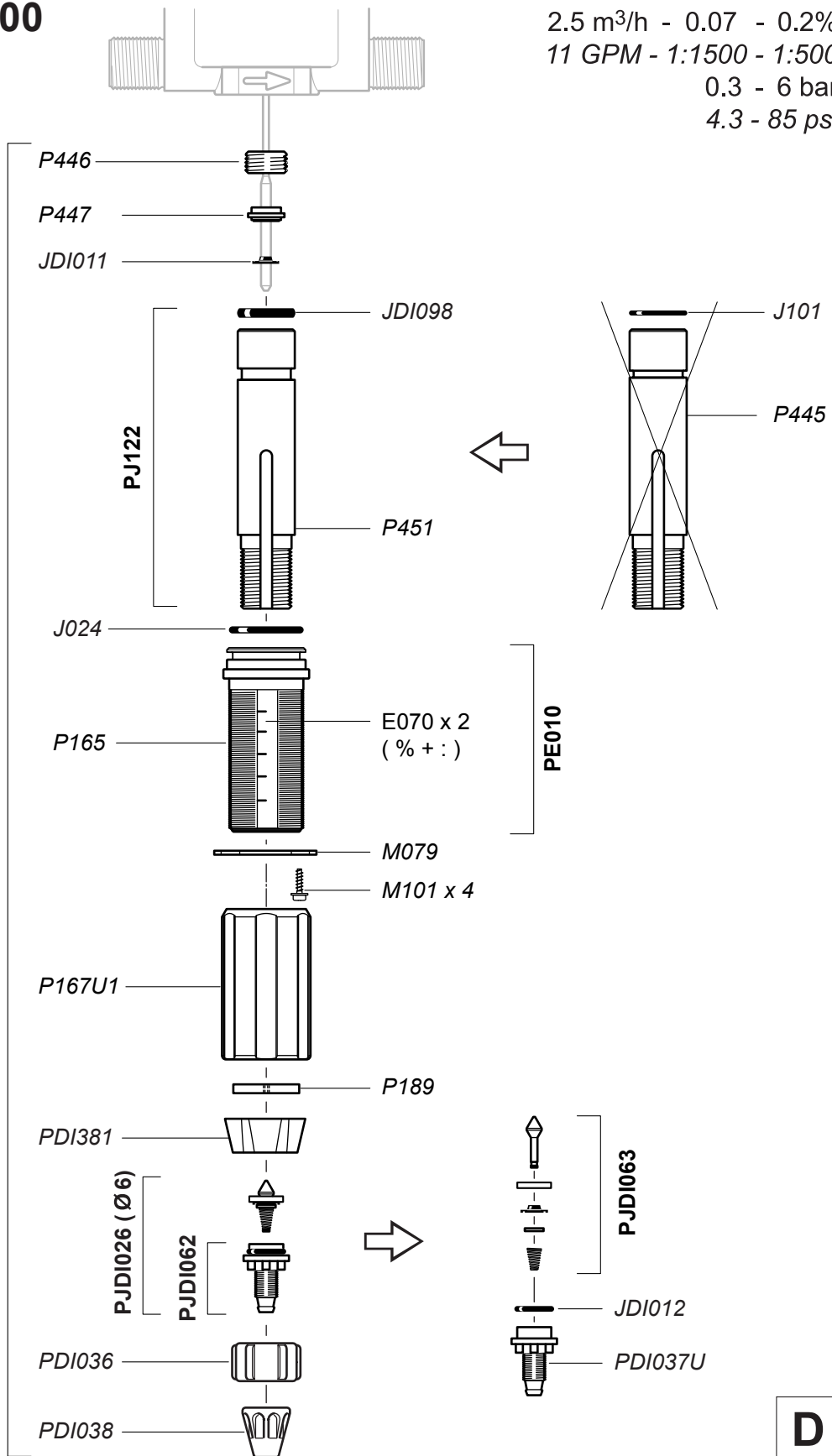
# D25RE1500

2.5 m<sup>3</sup>/h - 0.07 - 0.2%  
11 GPM - 1:1500 - 1:500  
0.3 - 6 bar  
4.3 - 85 psi



# D25RE1500

2.5 m<sup>3</sup>/h - 0.07 - 0.2%  
 11 GPM - 1:1500 - 1:500  
 0.3 - 6 bar  
 4.3 - 85 psi

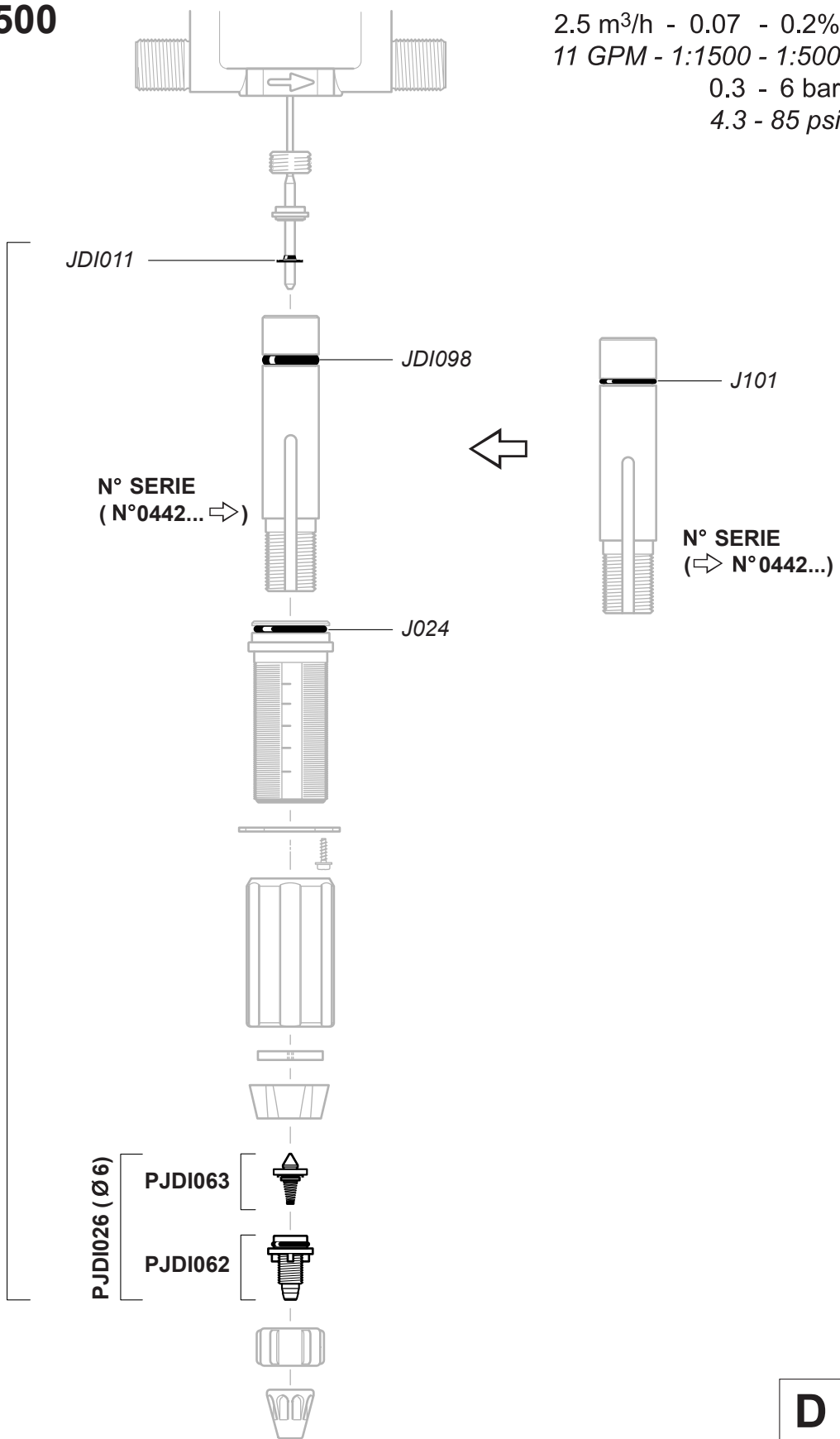


CD085

D

# D25RE1500

2.5 m<sup>3</sup>/h - 0.07 - 0.2%  
 11 GPM - 1:1500 - 1:500  
 0.3 - 6 bar  
 4.3 - 85 psi





# D25RE1500

2.5 m<sup>3</sup>/h - 0.07 - 0.2%  
11 GPM - 1:1500 - 1:500  
0.3 - 6 bar  
4.3 - 85 psi

