



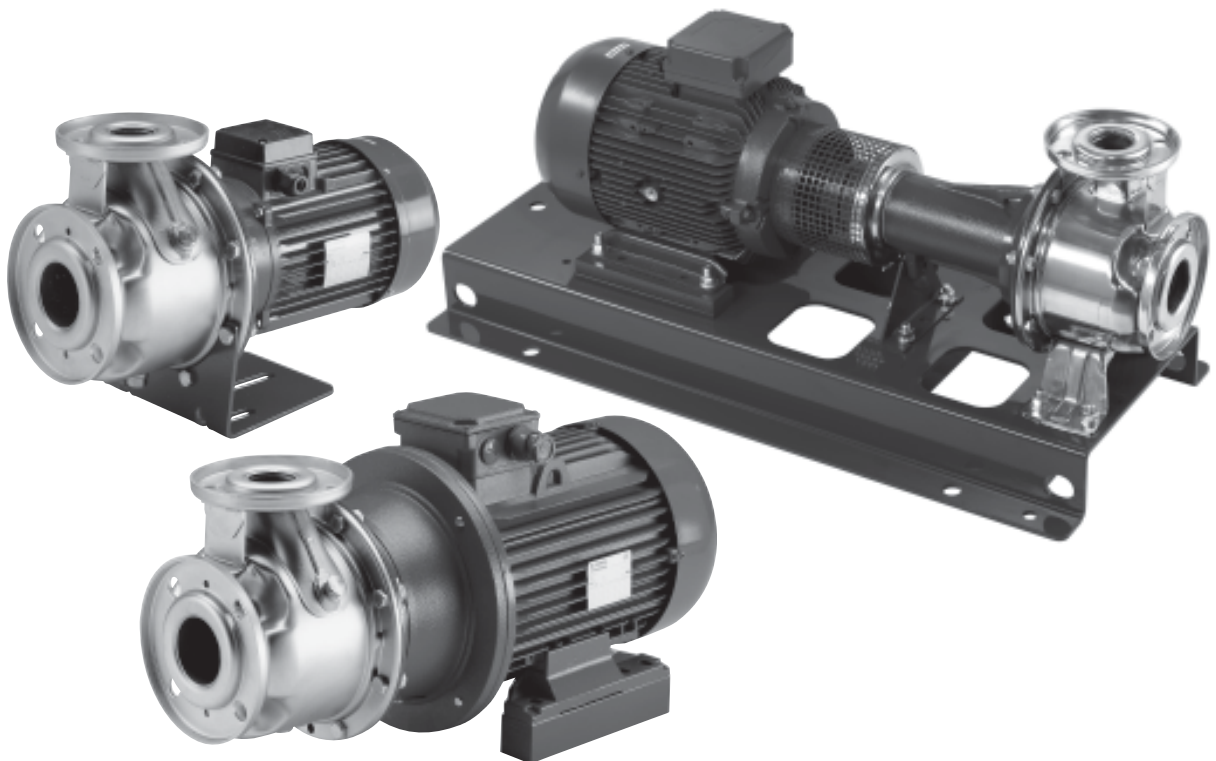
ITT

Lowara

SH Series

Centrifugal Electric pumps made of AISI 316 stainless steel in compliance with EN 733 equipped with high efficiency PLM motors

50 Hz



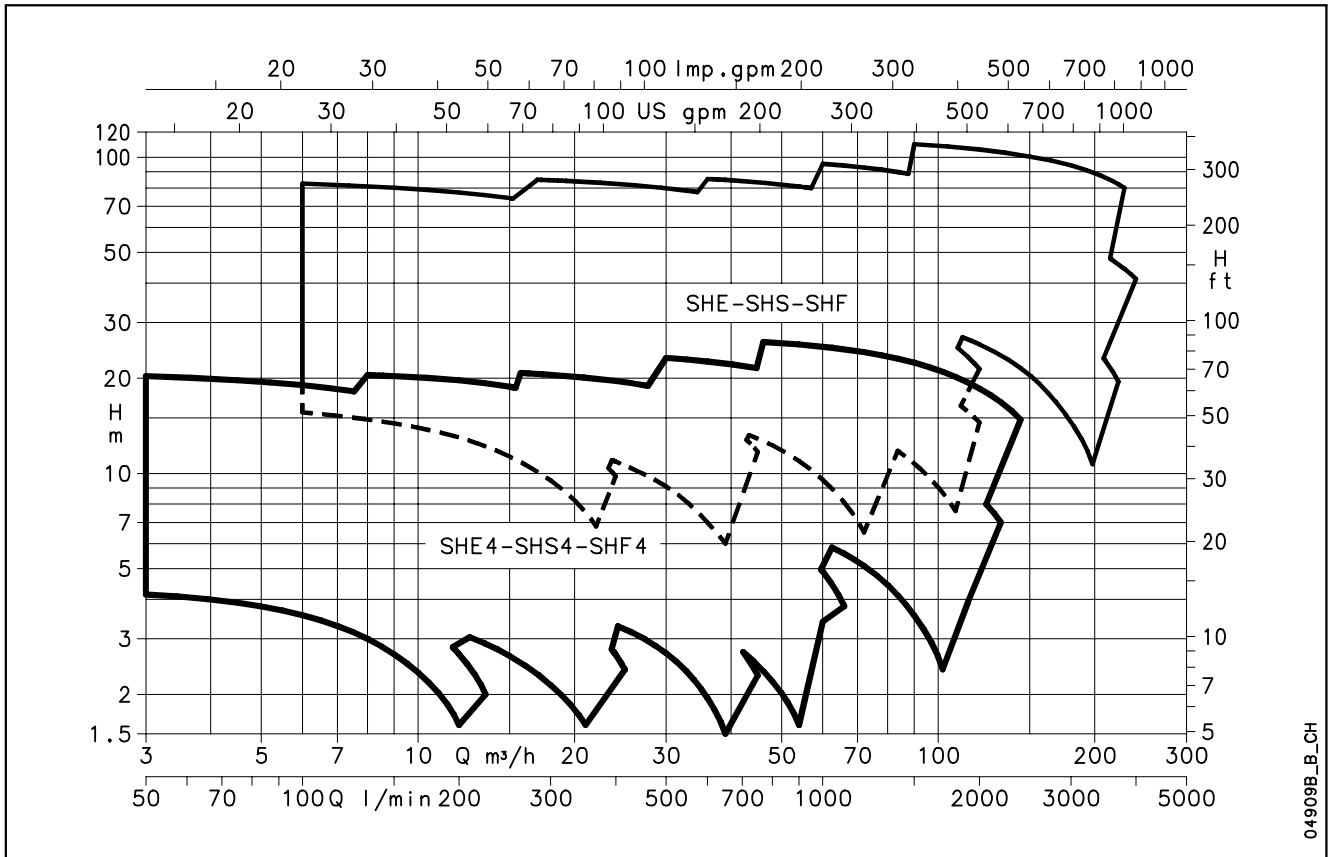
Engineered for life



ITT

Lowara

SH SERIES HYDRAULIC PERFORMANCE RANGE AT 50 Hz





CONTENTS

Specifications	5
Construction Characteristics	6
List of Models	8
List of Models and Tables of Materials	9
SH Mechanical Seal	14
Motors	15
Hydraulic Performance Range, SH series, 50 Hz 2 Poles	20
Hydraulic Performance Range, SH series, 50 Hz 4 Poles	22
Operating Characteristics, SH series, 50 Hz 2 Poles	24
Operating Characteristics, SH series, 50 Hz 4 Poles	47
Dimensions and Weights	71
Accessories	89
Technical Appendix	95



Lowara



ITT

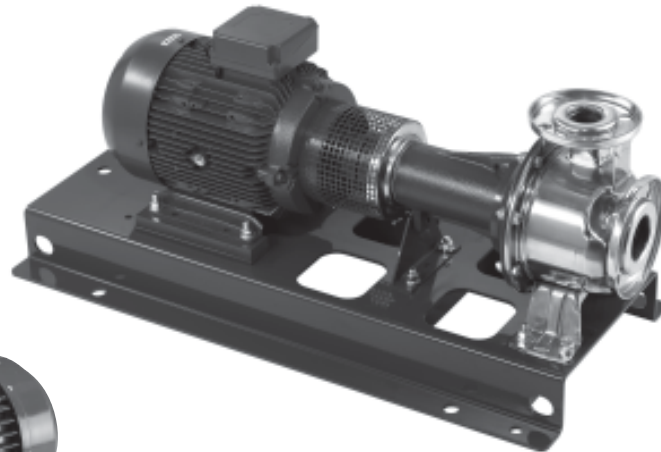
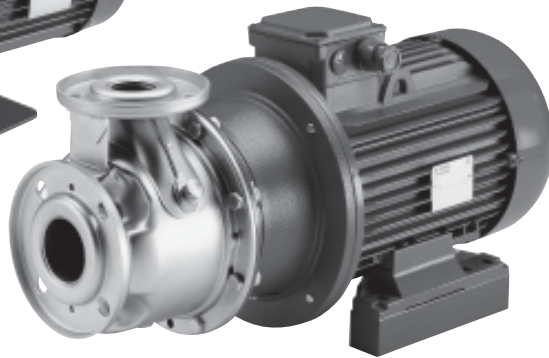
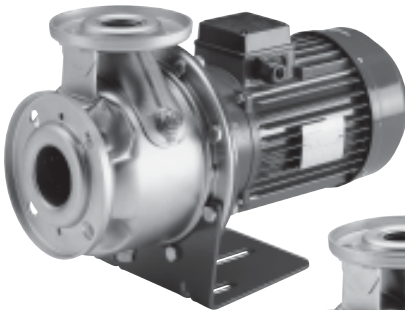
Lowara

Centrifugal electric pumps made of AISI 316 stainless steel in compliance with EN 733

SH Series with high efficiency PLM motors

MARKET SECTORS

The Lowara SH series pumps are used for water and clean liquid circulation in heating, ventilating and air conditioning systems, and for pressure boosting in industrial applications.



• Temperature of pumped liquid:

Standard -10°C to +120°C.
Special versions available on request.

• Maximum working pressure:

12 bar (PN 12).

MOTOR

• Three-phase asynchronous, squirrel cage rotor, enclosed construction, external ventilation.

• Performances according to EN 60034-1.

• Standard supply Lowara motors up to 11 kW (included) for the 4-pole version, and up to 22 kW (included) for the 2-pole version. Other motor brands for higher powers.

• The Lowara PLM surface motors have efficiency values that fall within the range normally referred to as efficiency class 1.

• IP 55 protection.

• Insulation class F.

• Max. ambient temperature: 40°C.

For different environmental conditions, check the power.

• Overload protection to be provided by user.

• Condensation drain plugs on all LOWARA motors.

• Standard voltage:

Single-phase version 220-240 V, 50 Hz

Three-phase version 220-240/380-415

V, 50 Hz for powers up to 3 kW;

380-415/660-690 V, 50 Hz for

powers above 3 kW.

SPECIFICATIONS PUMP

• The SH series consists of singlestage centrifugal pumps made of pressed AISI 316 stainless steel.

• The liquid sizes and diameters of the suction and delivery ports are in compliance with EN 733 standards (ex DIN 24255).

• Flange dimensions in compliance with EN 1092-1.

• Available sizes: DN 25 to DN 80.

• Anti-clockwise rotation when facing pump's suction port.

• Back pull-out design.

APPLICATION RANGE

• Delivery:

up to 240 m³/h, 2 poles.

up to 130 m³/h, 4 poles.

• Head:

up to 110 m, 2 poles.

up to 23 m, 4 poles.

CONSTRUCTION CHARACTERISTICS

- Stainless steel centrifugal pump with end suction and radial discharge ports.
- Pump body made of AISI 316L stainless steel.
- Flanges in compliance with EN 1092-1 (ex UNI 2236 and DIN 2533).
- Back pull-out design (impeller, bracket and motor can be extracted without disconnecting the pump body from the piping).
- Closed impeller made of AISI 316L stainless steel, laser-technology welded (for sizes 25, 32, 40, 50, 65-160/75, 65-160/110A) or AISI CF8M cast stainless steel.
- Mechanical seal according to EN 12756 (ex DIN 24960).
- AISI 316L stainless steel fill & drain plugs.

MOTOR-PUMP COUPLING

- **SHE**: close-coupled by means of a bracket with impeller keyed directly to the motor shaft extension.
- **SHS**: with a bracket, adaptor and rigid coupling keyed to the standard motor shaft extension.
- **SHF**: with bracket, support, flexible coupling, and aligning and anchoring base.
- **SHF.SC**: with bracket, support, spacer coupling, aligning and anchoring base.
- Bare shaft pump version.

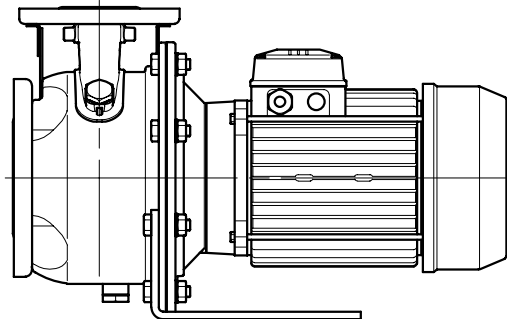
ACCESSORIES ON REQUEST

- AISI 316 stainless steel or galvanized iron counterflanges.
- Intermediate flange with pressure gauge connection.
- Pump and motor shims.

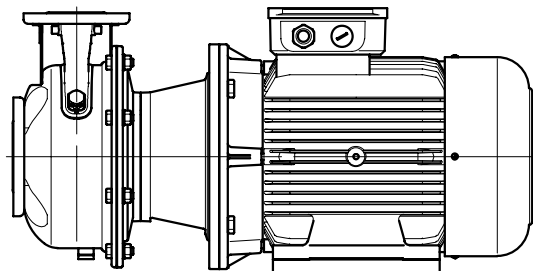
OPTIONAL FEATURES

- Different voltages and frequencies.
- Special materials for the mechanical seal and gaskets.
- Version with internal recirculation of pumped liquid to mechanical seal.
- Version with rotation locking system seal.
- Tropicalized motors.
- Version with Hydrovar® control system.
- SHF with flexible coupling with spacer.
- Diesel motor.

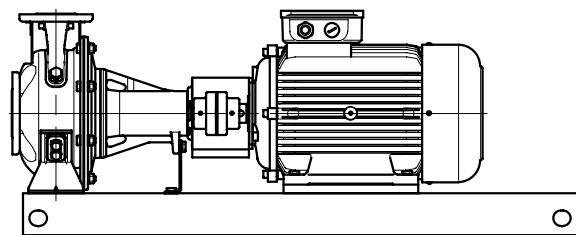
SHE – SHE4



SHS – SHS4



SHF – SHF4



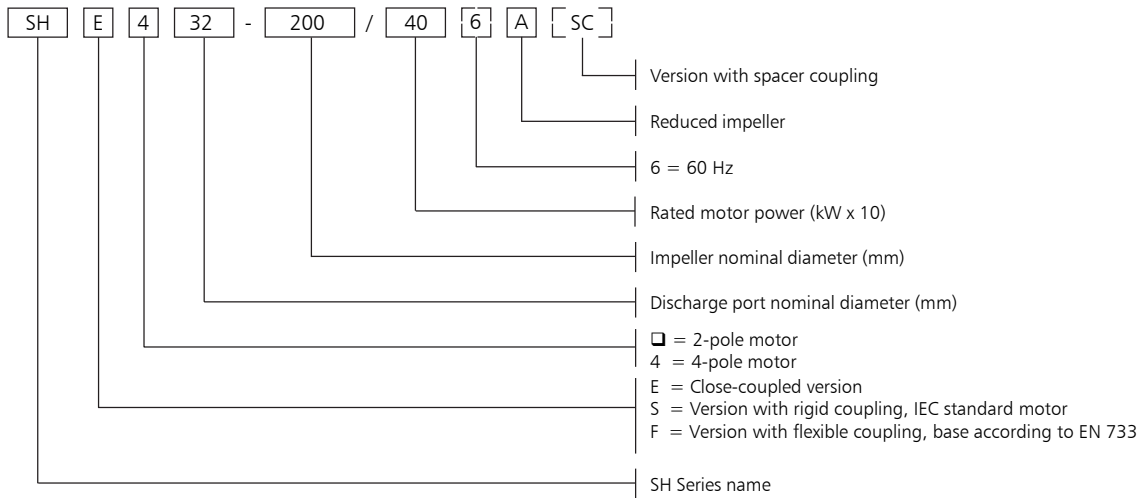
04905_A_SC



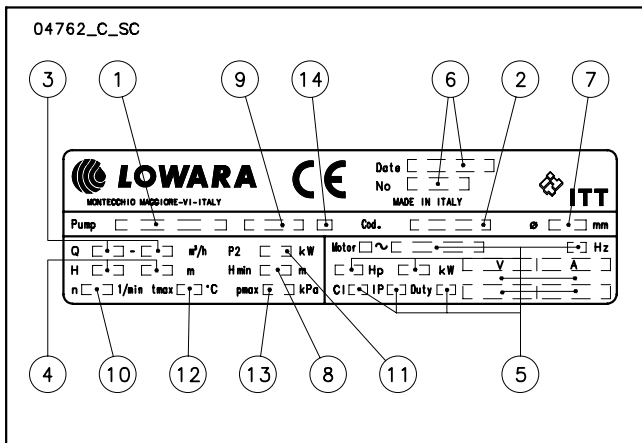
ITT

Lowara

SH SERIES IDENTIFICATION CODE



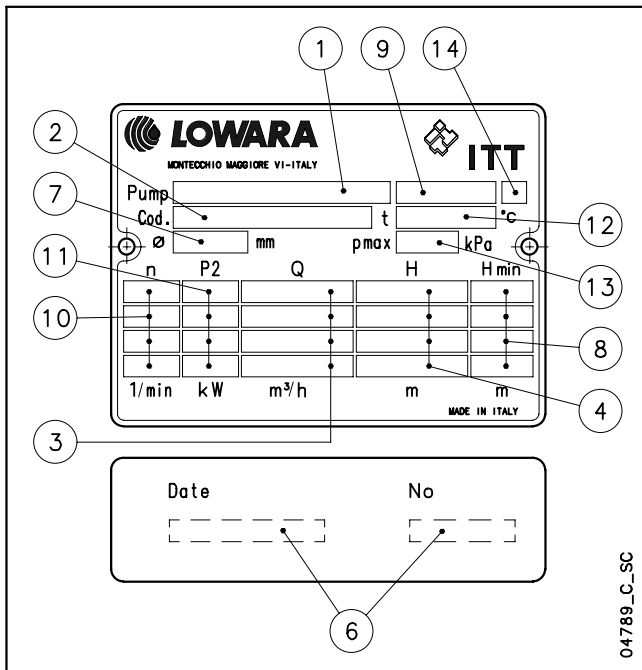
SHE - SHS RATING PLATE



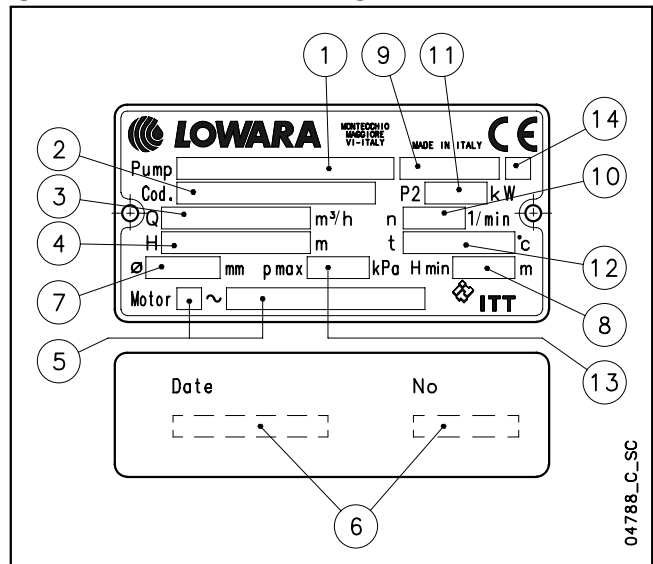
LEGEND

- 1 - Electric pump type
- 2 - Code
- 3 - Delivery range
- 4 - Head range
- 5 - Motor type
- 6 - Date of manufacturing and serial number
- 7 - Impeller diameter
- 8 - Minimum head
- 9 - Mechanical seal material identification code
- 10 - Speed
- 11 - Rated power
- 12 - Maximum operating temperature
- 13 - Maximum operating pressure
- 14 - O-ring material identification code

SHF RATING PLATE (PUMP ONLY)



SHF RATING PLATE (ELECTRIC PUMP)



**LIST OF MODELS SH SERIES 50 Hz
2 POLES**
4 POLES

SIZE	kW	VERSION			
		SHEM	SHE	SHS	SHF
25-125/07	0,75	•	•	•	•
25-125/11	1,1	•	•	•	•
25-160/15	1,5	•	•	•	•
25-160/22	2,2	•	•	•	•
25-200/30	3	-	•	•	•
25-200/40	4	-	•	•	•
25-250/55	5,5	-	•	•	•
25-250/75	7,5	-	•	•	•
25-250/110	11	-	•	•	•
32-125/07	0,75	•	•	•	•
32-125/11	1,1	•	•	•	•
32-160/15	1,5	•	•	•	•
32-160/22	2,2	•	•	•	•
32-200/30	3	-	•	•	•
32-200/40	4	-	•	•	•
32-250/55	5,5	-	•	•	•
32-250/75	7,5	-	•	•	•
32-250/110	11	-	•	•	•
40-125/11	1,1	•	•	•	•
40-125/15	1,5	•	•	•	•
40-125/22	2,2	•	•	•	•
40-160/30	3	-	•	•	•
40-160/40	4	-	•	•	•
40-200/55	5,5	-	•	•	•
40-200/75	7,5	-	•	•	•
40-250/92	9,2	-	•	-	-
40-250/110A	11	-	-	•	•
40-250/110	11	-	•	•	•
40-250/150	15	-	•	•	•
50-125/22	2,2	•	•	•	•
50-125/30	3	-	•	•	•
50-125/40	4	-	•	•	•
50-160/55	5,5	-	•	•	•
50-160/75	7,5	-	•	•	•
50-200/92	9,2	-	•	-	-
50-200/110A	11	-	-	•	•
50-200/110	11	-	•	•	•
50-250/150	15	-	•	•	•
50-250/185	18,5	-	•	•	•
50-250/220	22	-	•	•	•
65-160/40	4	-	•	•	•
65-160/55	5,5	-	•	•	•
65-160/75	7,5	-	•	•	•
65-160/92	9,2	-	•	-	-
65-160/110A	11	-	-	•	•
65-160/110	11	-	•	•	•
65-200/150	15	-	•	•	•
65-200/185	18,5	-	•	•	•
65-200/220	22	-	•	•	•
65-250/300	30	-	-	•	•
65-250/370	37	-	-	•	•
80-160/110	11	-	•	•	•
80-160/150	15	-	•	•	•
80-160/185	18,5	-	•	•	•
80-200/220	22	-	•	•	•
80-200/300	30	-	-	•	•
80-200/370	37	-	-	•	•
80-250/450	45	-	-	-	•
80-250/550	55	-	-	-	•
80-250/750	75	-	-	-	•

• = Available

sh_she-shs-shf_2p50-en_b_tem

SIZE	kW	VERSION		
		SHE4	SHS4	SHF4
25-125/02A	0,25	•	-	•
25-125/02	0,25	•	-	•
25-160/02	0,25	•	-	•
25-160/03	0,37	•	-	•
25-200/03	0,37	•	-	•
25-200/05	0,55	•	-	•
25-250/07	0,75	•	•	•
25-250/11	1,1	•	•	•
25-250/15	1,5	•	•	•
32-125/02A	0,25	•	-	•
32-125/02	0,25	•	-	•
32-160/02	0,25	•	-	•
32-160/03	0,37	•	-	•
32-200/03	0,37	•	-	•
32-200/05	0,55	•	-	•
32-250/07	0,75	•	•	•
32-250/11	1,1	•	•	•
32-250/15	1,5	•	•	•
40-125/02A	0,25	•	-	•
40-125/02	0,25	•	-	•
40-125/03	0,37	•	-	•
40-160/03	0,37	•	-	•
40-160/05	0,5	•	-	•
40-200/07	0,75	•	•	•
40-200/11	1,1	•	•	•
40-250/11	1,1	•	•	•
40-250/15	1,5	•	•	•
40-250/22	2,2	•	•	•
50-125/03A	0,37	•	-	•
50-125/03	0,37	•	-	•
50-125/05	0,5	•	-	•
50-160/07	0,75	•	•	•
50-160/11	1,1	•	•	•
50-200/11	1,1	•	•	•
50-200/15	1,5	•	•	•
50-250/22A	2,2	•	•	•
50-250/22	2,2	•	•	•
50-250/30	3	•	•	•
65-160/05	0,5	•	•	•
65-160/07	0,75	•	•	•
65-160/11A	1,1	•	•	•
65-160/11	1,1	•	•	•
65-160/15	1,5	•	•	•
65-200/15	1,5	•	•	•
65-200/22	2,2	•	•	•
65-200/30	3	•	•	•
65-250/40	4	•	•	•
65-250/55	5,5	•	•	•
80-160/15	1,5	•	•	•
80-160/22A	2,2	•	•	•
80-160/22	2,2	•	•	•
80-200/30	3	•	•	•
80-200/40	4	•	•	•
80-250/55	5,5	•	•	•
80-250/75	7,5	•	•	•
80-250/110	11	•	•	•

• = Available

sh_she4-shs4-shf4_4p50-en_c_tem

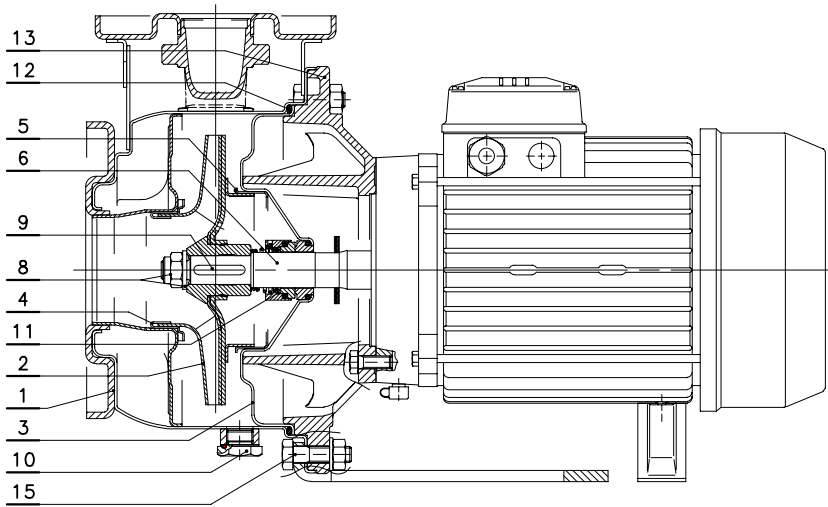


ITT

Lowara

SHE - SHE4 SERIES LIST OF MODELS AND TABLE OF MATERIALS

04906_B_DS



VERSIONS	
2 POLES	4 POLES
SHE 25-125/07	SHE4 25-200/05
SHE 25-125/11	SHE4 25-250/07
SHE 25-160/15	SHE4 25-250/11
SHE 25-160/22	SHE4 25-250/15
SHE 25-200/30	SHE4 32-200/05
SHE 25-200/40	SHE4 32-250/07
SHE 25-250/55	SHE4 32-250/11
SHE 25-250/75	SHE4 32-250/15
SHE 25-250/110	SHE4 40-160/05
SHE 32-125/07	SHE4 40-200/07
SHE 32-125/11	SHE4 40-200/11
SHE 32-160/15	SHE4 40-250/11
SHE 32-160/22	SHE4 40-250/15
SHE 32-200/30	SHE4 40-250/22
SHE 32-200/40	SHE4 50-125/05
SHE 32-250/55	SHE4 50-160/07
SHE 32-250/75	SHE4 50-160/11
SHE 32-250/110	SHE4 50-200/11
SHE 40-125/11	SHE4 50-200/15
SHE 40-125/15	SHE4 50-250/22A
SHE 40-125/22	SHE4 50-250/22
SHE 40-160/30	SHE4 50-250/30
SHE 40-160/40	SHE4 65-160/05
SHE 40-200/55	SHE4 65-160/07
SHE 40-200/75	SHE4 65-160/11A
SHE 40-250/92	SHE4 65-160/11
SHE 40-250/110	SHE4 65-160/15
SHE 50-125/22	SHE4 65-200/15
SHE 50-125/30	SHE4 65-200/22
SHE 50-125/40	SHE4 65-200/30
SHE 50-160/55	SHE4 65-250/40
SHE 50-160/75	SHE4 65-250/55
SHE 50-200/92	SHE4 80-160/15
SHE 50-200/110	SHE4 80-160/22A
SHE 65-160/40	SHE4 80-160/22
SHE 65-160/55	SHE4 80-200/30
SHE 65-160/75	SHE4 80-200/40
SHE 65-160/92	SHE4 80-250/55
SHE 65-160/110	SHE4 80-250/75
SHE 80-160/110	

sh-she-p-en_b_mo

REF. N.	NAME	MATERIAL	REFERENCE STANDARDS	
			EUROPE	USA
1	Pump body	Stainless steel	EN 10088-1-X2CrNiMo17-12-2 (1.4404)	AISI 316L
2	Impeller 25-32-40-50-65(160)	Stainless steel	EN 10088-1-X2CrNiMo17-12-2 (1.4404)	AISI 316L
	Impeller 65(200-250)-80	Stainless steel	EN 10213-4-GX5CrNiMo19-11-2 (1.4408)	ASTM CF8M (cast AISI 316)
3	Seal housing	Stainless steel	EN 10088-1-X2CrNiMo17-12-2 (1.4404)	AISI 316L
4	Wear ring	Stainless steel	EN 10088-1-X2CrNiMo17-12-2 (1.4404)	AISI 316L
5	Counterwear ring	Stainless steel	EN 10088-1-X2CrNiMo17-12-2 (1.4404)	AISI 316L
6	Shaft extension	Stainless steel	EN 10088-1-X5CrNiMo17-12-2 (1.4401)	AISI 316
7	Rigid shaft coupling	Stainless steel	EN 10088-1-X5CrNiMo17-12-2 (1.4401)	AISI 316
8	Impeller locknut and washer	Stainless steel	EN 10088-1-X5CrNiMo17-12-2 (1.4401)	AISI 316
9	Tab	Stainless steel	EN 10088-1-X2CrNiMo17-12-2 (1.4404)	AISI 316L
10	Fill/drain plugs	Stainless steel	EN 10088-1-X5CrNiMo17-12-2 (1.4401)	AISI 316
11	Mechanical seal	Ceramic / Carbon / FPM (standard version)		
12	Elastomers	FPM (standard version)		
13	Adapter *	Aluminium	EN 1706-AC-AISI11Cu2 (Fe) (AC46100)	-
	Adapter *	Cast iron	EN 1561-GJL-200 (JL1030)	ASTM Class 25
15	Pump body fastening bolts & screws	Galvanized steel		

* For the 25/32/40-125 2/4 pole, 25/32/40-160 2/4 pole, 25/32/40-200 2/4 pole versions

sh_she-en_c_tm



ITT

Lowara

SHE - SHE4 SERIES

LIST OF MODELS AND TABLE OF MATERIALS

<p>04902_B_DS</p>	<table border="1"> <thead> <tr> <th colspan="2">VERSIONS</th> </tr> <tr> <th>2 POLES</th> <th>4 POLES</th> </tr> </thead> <tbody> <tr> <td>SHE 40-250/150</td> <td>SHE4 80-250/110</td> </tr> <tr> <td>SHE 50-250/150</td> <td></td> </tr> <tr> <td>SHE 50-250/185</td> <td></td> </tr> <tr> <td>SHE 50-250/220</td> <td></td> </tr> <tr> <td>SHE 65-200/150</td> <td></td> </tr> <tr> <td>SHE 65-200/185</td> <td></td> </tr> <tr> <td>SHE 65-200/220</td> <td></td> </tr> <tr> <td>SHE 80-160/150</td> <td></td> </tr> <tr> <td>SHE 80-160/185</td> <td></td> </tr> <tr> <td>SHE 80-200/220</td> <td></td> </tr> </tbody> </table> <p>sh-she-s-en_b_mo</p>	VERSIONS		2 POLES	4 POLES	SHE 40-250/150	SHE4 80-250/110	SHE 50-250/150		SHE 50-250/185		SHE 50-250/220		SHE 65-200/150		SHE 65-200/185		SHE 65-200/220		SHE 80-160/150		SHE 80-160/185		SHE 80-200/220	
VERSIONS																									
2 POLES	4 POLES																								
SHE 40-250/150	SHE4 80-250/110																								
SHE 50-250/150																									
SHE 50-250/185																									
SHE 50-250/220																									
SHE 65-200/150																									
SHE 65-200/185																									
SHE 65-200/220																									
SHE 80-160/150																									
SHE 80-160/185																									
SHE 80-200/220																									
	<table border="1"> <thead> <tr> <th colspan="2">VERSIONS</th> </tr> <tr> <th colspan="2">4 POLES</th> </tr> </thead> <tbody> <tr> <td>SHE4 25-125/02A</td> <td>SHE4 40-125/02A</td> </tr> <tr> <td>SHE4 25-125/02</td> <td>SHE4 40-125/02</td> </tr> <tr> <td>SHE4 25-160/02</td> <td>SHE4 40-125/03</td> </tr> <tr> <td>SHE4 25-160/03</td> <td>SHE4 40-160/03</td> </tr> <tr> <td>SHE4 25-200/03</td> <td>SHE4 50-125/03A</td> </tr> <tr> <td>SHE4 32-125/02A</td> <td>SHE4 50-125/03</td> </tr> <tr> <td>SHE4 32-125/02</td> <td></td> </tr> <tr> <td>SHE4 32-160/02</td> <td></td> </tr> <tr> <td>SHE4 32-160/03</td> <td></td> </tr> <tr> <td>SHE4 32-200/03</td> <td></td> </tr> </tbody> </table> <p>sh-she4-p-en_a_mo</p>	VERSIONS		4 POLES		SHE4 25-125/02A	SHE4 40-125/02A	SHE4 25-125/02	SHE4 40-125/02	SHE4 25-160/02	SHE4 40-125/03	SHE4 25-160/03	SHE4 40-160/03	SHE4 25-200/03	SHE4 50-125/03A	SHE4 32-125/02A	SHE4 50-125/03	SHE4 32-125/02		SHE4 32-160/02		SHE4 32-160/03		SHE4 32-200/03	
VERSIONS																									
4 POLES																									
SHE4 25-125/02A	SHE4 40-125/02A																								
SHE4 25-125/02	SHE4 40-125/02																								
SHE4 25-160/02	SHE4 40-125/03																								
SHE4 25-160/03	SHE4 40-160/03																								
SHE4 25-200/03	SHE4 50-125/03A																								
SHE4 32-125/02A	SHE4 50-125/03																								
SHE4 32-125/02																									
SHE4 32-160/02																									
SHE4 32-160/03																									
SHE4 32-200/03																									

REF. N.	NAME	MATERIAL	REFERENCE STANDARDS	
			EUROPE	USA
1	Pump body	Stainless steel	EN 10088-1-X2CrNiMo17-12-2 (1.4404)	AISI 316L
2	Impeller 25-32-40-50-65(160)	Stainless steel	EN 10088-1-X2CrNiMo17-12-2 (1.4404)	AISI 316L
	Impeller 65(200-250)-80	Stainless steel	EN 10213-4-GX5CrNiMo19-11-2 (1.4408)	ASTM CF8M (cast AISI 316)
3	Seal housing	Stainless steel	EN 10088-1-X2CrNiMo17-12-2 (1.4404)	AISI 316L
4	Wear ring	Stainless steel	EN 10088-1-X2CrNiMo17-12-2 (1.4404)	AISI 316L
5	Counterwear ring	Stainless steel	EN 10088-1-X2CrNiMo17-12-2 (1.4404)	AISI 316L
6	Shaft extension	Stainless steel	EN 10088-1-X5CrNiMo17-12-2 (1.4401)	AISI 316
7	Rigid shaft coupling	Stainless steel	EN 10088-1-X5CrNiMo17-12-2 (1.4401)	AISI 316
8	Impeller locknut and washer	Stainless steel	EN 10088-1-X5CrNiMo17-12-2 (1.4401)	AISI 316
9	Tab	Stainless steel	EN 10088-1-X2CrNiMo17-12-2 (1.4404)	AISI 316L
10	Fill/drain plugs	Stainless steel	EN 10088-1-X5CrNiMo17-12-2 (1.4401)	AISI 316
11	Mechanical seal	Ceramic / Carbon / FPM (standard version)		
12	Elastomers	FPM (standard version)		
13	Adapter *	Aluminium	EN 1706-AC-AISI11Cu2 (Fe) (AC46100)	-
	Adapter *	Cast iron	EN 1561-GJL-200 (JL1030)	ASTM Class 25
15	Pump body fastening bolts & screws	Galvanized steel		

* For the 25/32/40-125 2/4 pole, 25/32/40-160 2/4 pole, 25/32/40-200 2/4 pole versions



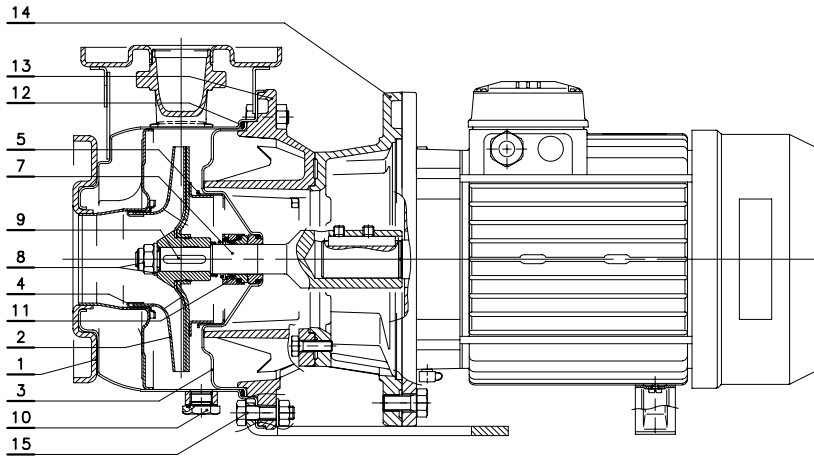
ITT

Lowara

SHS - SHS4 SERIES

LIST OF MODELS AND TABLE OF MATERIALS

04956_C_DS



VERSIONS	
2 POLES	4 POLES
SHS 25-125/07	SHS4 25-250/07
SHS 25-125/11	SHS4 25-250/11
SHS 25-160/15	SHS4 25-250/15
SHS 25-160/22	SHS4 32-250/07
SHS 25-200/30	SHS4 32-250/11
SHS 25-200/40	SHS4 32-250/15
SHS 25-250/55	SHS4 40-200/07
SHS 25-250/75	SHS4 40-200/11
SHS 32-125/07	SHS4 40-250/11
SHS 32-125/11	SHS4 40-250/15
SHS 32-160/15	SHS4 40-250/22
SHS 32-160/22	SHS4 50-160/07
SHS 32-200/30	SHS4 50-160/11
SHS 32-200/40	SHS4 50-200/11
SHS 32-250/55	SHS4 50-200/15
SHS 32-250/75	SHS4 50-250/22A
SHS 40-125/11	SHS4 50-250/22
SHS 40-125/15	SHS4 50-250/30
SHS 40-125/22	SHS4 65-160/05
SHS 40-160/30	SHS4 65-160/07
SHS 40-160/40	SHS4 65-160/11A
SHS 40-200/55	SHS4 65-160/11
SHS 40-200/75	SHS4 65-160/15
SHS 50-125/22	SHS4 65-200/15
SHS 50-125/30	SHS4 65-200/22
SHS 50-125/40	SHS4 65-200/30
SHS 50-160/55	SHS4 65-250/40
SHS 50-160/75	SHS4 65-250/55
SHS 65-160/40	SHS4 80-160/15
SHS 65-160/55	SHS4 80-160/22A
SHS 65-160/75	SHS4 80-160/22
	SHS4 80-200/30
	SHS4 80-200/40
	SHS4 80-250/55
	SHS4 80-250/75

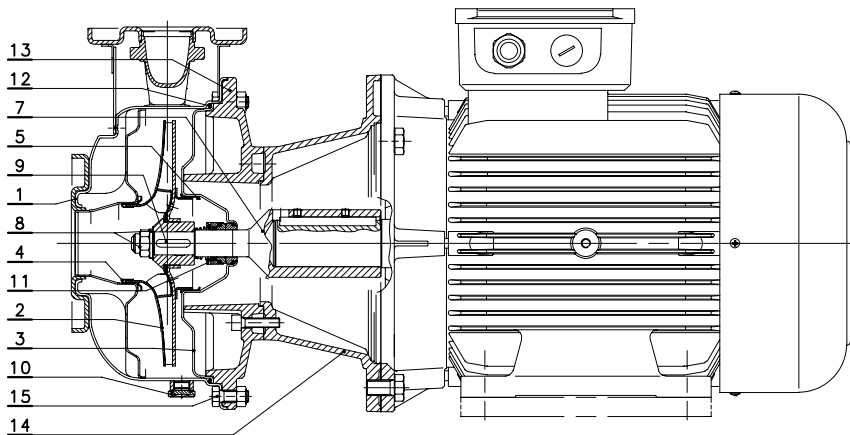
sh-shs-p-en_b_mo

REF. N.	NAME	MATERIAL	REFERENCE STANDARDS	
			EUROPE	USA
1	Pump body	Stainless steel	EN 10088-1-X2CrNiMo17-12-2 (1.4404)	AISI 316L
2	Impeller 25-32-40-50-65(160)	Stainless steel	EN 10088-1-X2CrNiMo17-12-2 (1.4404)	AISI 316L
	Impeller 65(200-250)-80	Stainless steel	EN 10213-4-GX5CrNiMo19-11-2 (1.4408)	ASTM CF8M (cast AISI 316)
3	Seal housing	Stainless steel	EN 10088-1-X2CrNiMo17-12-2 (1.4404)	AISI 316L
4	Wear ring	Stainless steel	EN 10088-1-X2CrNiMo17-12-2 (1.4404)	AISI 316L
5	Counterwear ring	Stainless steel	EN 10088-1-X2CrNiMo17-12-2 (1.4404)	AISI 316L
7	Rigid shaft coupling	Stainless steel	EN 10088-1-X5CrNiMo17-12-2 (1.4401)	AISI 316
8	Impeller locknut and washer	Stainless steel	EN 10088-1-X5CrNiMo17-12-2 (1.4401)	AISI 316
9	Tab	Acciaio inox	EN 10088-1-X2CrNiMo17-12-2 (1.4404)	AISI 316L
10	Fill/drain plugs	Stainless steel	EN 10088-1-X5CrNiMo17-12-2 (1.4401)	AISI 316
11	Mechanical seal	Ceramic / Carbon / FPM (standard version)		
12	Elastomers	FPM (standard version)		
13	Adapter *	Aluminium	EN 1706-AC-AISI11Cu2 (Fe) (AC46100)	-
	Adapter	Cast iron	EN 1561-GJL-200 (JL1030)	ASTM Class 25
14	Adapter motor coupling	Cast iron	EN 1561-GJL-200 (JL1030)	ASTM Class 25
15	Pump body fastening bolts & screws	Galvanized steel		

* For the 25/32/40-125 2/4 pole, 25/32/40-160 2/4 pole, 25/32/40-200 2/4 pole versions

**SHS SERIES
LIST OF MODELS AND TABLE OF MATERIALS**

04952_B_DS



VERSIONS	
2 POLES	4 POLES
SHS 25-250/110	SHS4 80-250/110
SHS 32-250/110	
SHS 40-250/110A	
SHS 40-250/110	
SHS 40-250/150	
SHS 50-200/110A	
SHS 50-200/110	
SHS 50-250/150	
SHS 50-250/185	
SHS 50-250/220	
SHS 65-160/110A	
SHS 65-160/110	
SHS 65-200/150	
SHS 65-200/185	
SHS 65-200/220	
SHS 65-250/300	
SHS 65-250/370	
SHS 80-160/110	
SHS 80-160/150	
SHS 80-160/185	
SHS 80-200/220	
SHS 80-200/300	
SHS 80-200/370	

sh-shs-s-en_b_mo

REF. N.	NAME	MATERIAL	REFERENCE STANDARDS	
			EUROPE	USA
1	Pump body	Stainless steel	EN 10088-1-X2CrNiMo17-12-2 (1.4404)	AISI 316L
2	Impeller 25-32-40-50-65(160)	Stainless steel	EN 10088-1-X2CrNiMo17-12-2 (1.4404)	AISI 316L
	Impeller 65(200-250)-80	Stainless steel	EN 10213-4-GX5CrNiMo19-11-2 (1.4408)	ASTM CF8M (cast AISI 316)
3	Seal housing	Stainless steel	EN 10088-1-X2CrNiMo17-12-2 (1.4404)	AISI 316L
4	Wear ring	Stainless steel	EN 10088-1-X2CrNiMo17-12-2 (1.4404)	AISI 316L
5	Counterwear ring	Stainless steel	EN 10088-1-X2CrNiMo17-12-2 (1.4404)	AISI 316L
7	Rigid shaft coupling	Stainless steel	EN 10088-1-X5CrNiMo17-12-2 (1.4401)	AISI 316
8	Impeller locknut and washer	Stainless steel	EN 10088-1-X5CrNiMo17-12-2 (1.4401)	AISI 316
9	Tab	Acciaio inox	EN 10088-1-X2CrNiMo17-12-2 (1.4404)	AISI 316L
10	Fill/drain plugs	Stainless steel	EN 10088-1-X5CrNiMo17-12-2 (1.4401)	AISI 316
11	Mechanical seal	Ceramic / Carbon / FPM (standard version)		
12	Elastomers	FPM (standard version)		
13	Adapter *	Aluminium	EN 1706-AC-AISI11Cu2 (Fe) (AC46100)	-
	Adapter	Cast iron	EN 1561-GJL-200 (JL1030)	ASTM Class 25
14	Adapter motor coupling	Cast iron	EN 1561-GJL-200 (JL1030)	ASTM Class 25
15	Pump body fastening bolts & screws	Galvanized steel		

* For the 25/32/40-125 2/4 pole, 25/32/40-160 2/4 pole, 25/32/40-200 2/4 pole versions

sh_shs-en_c_tm

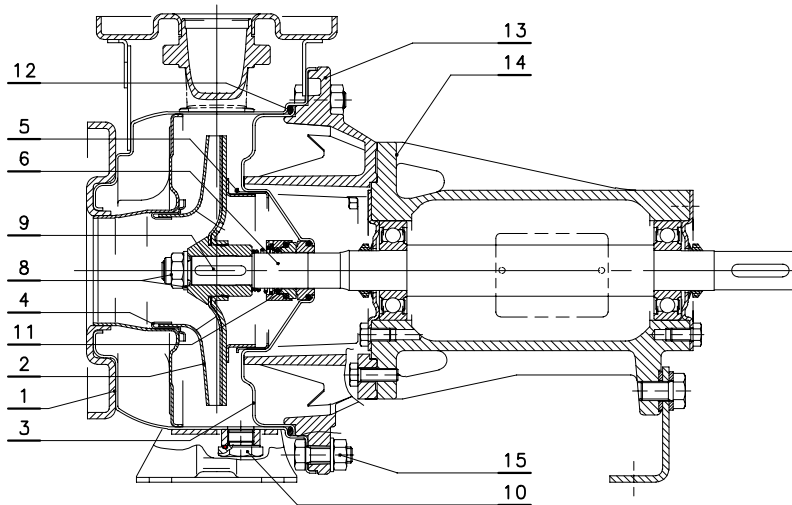


ITT

Lowara

SHF BARE SHAFT SERIES LIST OF MODELS AND TABLE OF MATERIALS

04979_B_DS



VERSIONS

SHF 25-125
SHF 25-160
SHF 25-200
SHF 25-250
SHF 32-125
SHF 32-160
SHF 32-200
SHF 32-250
SHF 40-125
SHF 40-160
SHF 40-200
SHF 40-250
SHF 50-125
SHF 50-160
SHF 50-200
SHF 50-250
SHF 65-160
SHF 65-200
SHF 65-250
SHF80-160
SHF 80-200
SHF 80-250

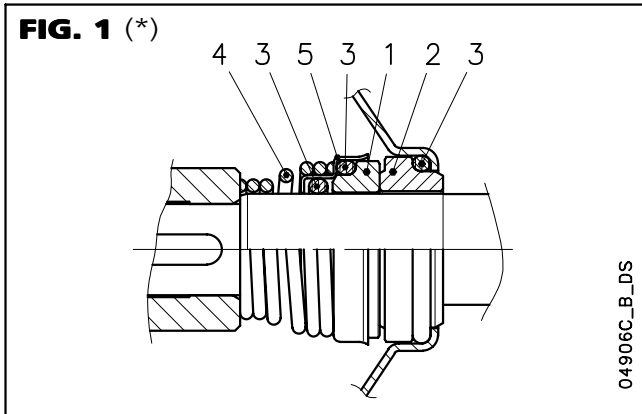
sh-shf-p-en_a_mo

REF. N.	NAME	MATERIAL	REFERENCE STANDARDS	
			EUROPE	USA
1	Pump body	Stainless steel	EN 10088-1-X2CrNiMo17-12-2 (1.4404)	AISI 316L
2	Impeller 25-32-40-50-65(160)	Stainless steel	EN 10088-1-X2CrNiMo17-12-2 (1.4404)	AISI 316L
	Impeller 65(200-250)-80	Stainless steel	EN 10213-4-GX5CrNiMo19-11-2 (1.4408)	ASTM CF8M (cast AISI 316)
3	Seal housing	Stainless steel	EN 10088-1-X2CrNiMo17-12-2 (1.4404)	AISI 316L
4	Wear ring	Stainless steel	EN 10088-1-X2CrNiMo17-12-2 (1.4404)	AISI 316L
5	Counterwear ring	Stainless steel	EN 10088-1-X2CrNiMo17-12-2 (1.4404)	AISI 316L
6	Shaft extension	Stainless steel	EN 10088-1-X5CrNiMo17-12-2 (1.4401)	AISI 316
8	Impeller locknut and washer	Stainless steel	EN 10088-1-X5CrNiMo17-12-2 (1.4401)	AISI 316
9	Tab	Stainless steel	EN 10088-1-X2CrNiMo17-12-2 (1.4404)	AISI 316L
10	Fill/drain plugs	Stainless steel	EN 10088-1-X5CrNiMo17-12-2 (1.4401)	AISI 316
11	Mechanical seal	Ceramic / Carbon / FPM (standard version)		
12	Elastomers	FPM (standard version)		
13	Adapter *	Aluminium	EN 1706-AC-AISI11Cu2 (Fe) (AC46100)	-
	Adapter	Cast iron	EN 1561-GJL-200 (JL1030)	ASTM Class 25
14	Transmission support body	Cast iron	EN 1561-GJL-200 (JL1030)	ASTM Class 25
15	Pump body fastening bolts & screws	Galvanized steel		

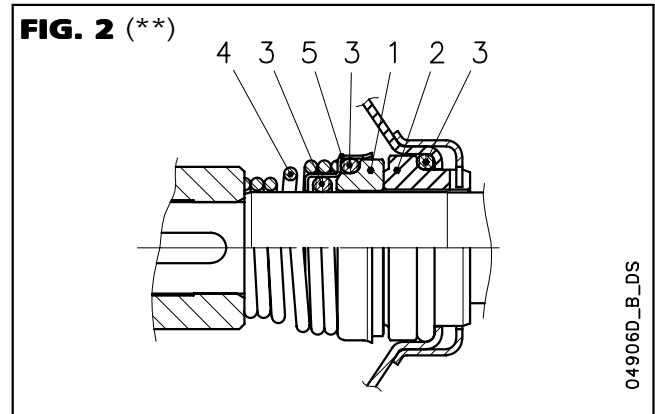
* For the 25/32/40-125 2/4 pole, 25/32/40-160 2/4 pole, 25/32/40-200 2/4 pole versions

SH MECHANICAL SEAL SERIES, ACCORDING TO EN 12756

Mechanical seal with mounting dimensions according to EN12756 (ex DIN 24960) and ISO 3069.



(*) Standard version



(***) Version with fixed assembly anti-rotation lockpin

LIST OF MATERIALS

POSITION 1 - 2	POSITION 3	POSITION 4 - 5
B : Resin impregnated carbon	E : EPDM	G : AISI 316
Q ₁ : Silicon carbide	V : FPM	
V : Ceramic		

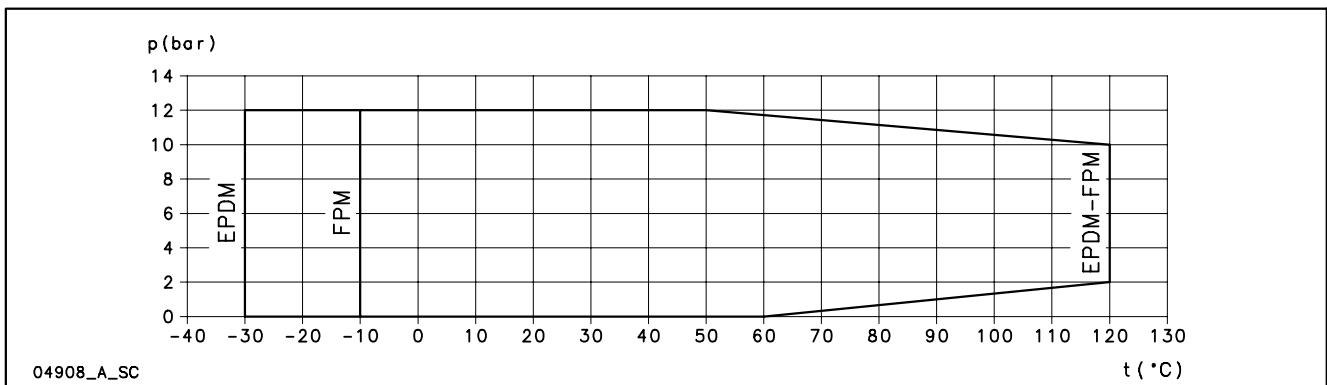
sh_ten-mec-en_a_tm

SEAL TYPES

TYPE	POSITION					TEMPERATURE (°C)
	1 ROTATING ASSEMBLY	2 FIXED ASSEMBLY	3 ELASTOMERS	4 SPRINGS	5 OTHER COMPONENTS	
STANDARD MECHANICAL SEAL						
VBVGG	V	B	V	G	G	-10 +120
OTHER MECHANICAL SEAL TYPES						
Q ₁ BVGG	Q ₁	B	V	G	G	-10 +120
Q ₁ Q ₁ VGG	Q ₁	Q ₁	V	G	G	-10 +120
VBEGG	V	B	E	G	G	-30 +120
Q ₁ BEGG	Q ₁	B	E	G	G	-30 +120
Q ₁ Q ₁ EGG	Q ₁	Q ₁	E	G	G	-30 +120

sh_tipi-ten-mec-en_a_tc

**COMPLETE PUMP PRESSURE / TEMPERATURE OPERATING LIMITS
(WITH ANY OF THE SEALS LISTED ABOVE)**



04908_A_SC

MOTORS

Squirrel cage motor in short circuit (TEFC), enclosed construction with external ventilation. The standard supply features Lowara motors for powers up to 11 kW (included) in the 4-pole version, and up to 22 kW (included) in the 2-pole version. Other motor are used for higher powers.

The Lowara PLM surface motors have efficiency values that fall within the range normally referred to as efficiency class 1.

Cooling is ensured by a fan according to EN 60034-6.

The cable gland has standard passage dimensions according to EN 50262 (metric size).

The standard protection IP55, insulation class F.

Standard voltage:

- Single-phase version: 220/240 V 50 Hz, with incorporated automatic-reset overload protection up to 1,5 kW.
- Three-phase version: 220-240/380-415 V 50 Hz for powers up to 3 kW. 380-415/660-690 V 50 Hz for powers above 3 kW. Overload protection to be provided by the user.

Type of motor used:

2-Pole

Single-phase: Lowara SM (up to 1,5 kW).

Lowara PLM (above 1,5 kW).

Three-phase: Lowara SM (up to 2,2 kW).

Lowara PLM (above 2,2 kW).

4-Pole

Three-phase: Lowara SM (up to 0,75 kW).

Lowara PLM (above 0,75 kW).

SHE SERIES SINGLE-PHASE 50 Hz, 2-POLE MOTORS

MOTOR TYPE			INPUT CURRENT	CAPACITOR		DATA FOR 230 V 50 Hz VOLTAGE					
kW	IEC SIZE*	CONSTRUCTION DESIGN	In (A)	μF	V	min ⁻¹	Is / In	η %	cosφ	Tn Nm	Ts/Tn**
			220-240 V								
0,75	90R	B14	5.02-5.39	30	450	2875	5,10	70,6	0,91	2,49	0,71
1,1	90R	B14	7.07-6.81	30	450	2800	3,80	73,8	0,95	3,75	0,47
1,5	90R	B14	9.32-8.63	40	450	2780	3,45	75,5	0,97	5,15	0,47
2,2	90	B14	12,7-11.8	70	450	2835	4,35	81,3	0,97	7,42	0,56

* R = Reduced size of motor casing as compared to shaft extension and flange.

she-motm-2p50-en_c_te

** Ts/Tn = ratio between starting torque and nominal torque.

SHE SERIES THREE-PHASE 50 Hz, 2-POLE MOTORS

MOTOR TYPE			INPUT CURRENT				DATA FOR 400 V 50 Hz VOLTAGE					
kW	IEC SIZE*	CONSTRUCTION DESIGN	In (A)				min ⁻¹	Is / In	η %	cosφ	Tn Nm	Ts/Tn**
			Δ	Y	Δ	Y						
			220-240 V	380-415 V	380-415 V	660-690 V						
0,75	90R	B14	3,72	2,15	-	-	2915	8,23	77,7	0,65	2,45	5,20
1,1	90R	B14	4,52	2,61	-	-	2875	6,78	78,9	0,77	3,65	3,49
1,5	90R	B14	5,98	3,45	-	-	2875	7,04	80,1	0,78	4,98	3,83
2,2	90R	B14	8,71	5,03	-	-	2860	7,32	81,1	0,78	7,34	4,12
3	90	B14	10,8	6,25	-	-	2880	8,25	86,7	0,8	10,0	4,02
4	112R	B14	-	-	7,71	4,45	2900	9,51	89,1	0,84	13,2	3,93
5,5	112	B14	-	-	10,4	6,00	2895	10,3	89,0	0,86	18,2	4,47
7,5	132	B14	-	-	13,9	8,03	2925	9,52	89,9	0,87	24,5	3,24
9,2	132	B14	-	-	16,7	9,64	2930	10,1	91,6	0,87	30,0	3,10
11	132	B14	-	-	20,2	11,7	2915	9,49	91,2	0,86	36,0	3,57
15	160	B34	-	-	26,2	15,1	2945	8,23	92,3	0,89	48,6	2,37
18,5	160	B34	-	-	32,4	18,7	2955	9,25	93,1	0,86	59,8	2,62
22	160	B34	-	-	37,9	21,9	2950	9,37	93,1	0,90	71,2	2,68

* R = Reduced size of motor casing as compared to shaft extension and flange.

she-mott-2p50-en_c_te

** Ts/Tn = ratio between starting torque and nominal torque.



ITT

Lowara

SHS-SHF SERIES THREE-PHASE 50 Hz, 2-POLE MOTORS

MOTOR TYPE				INPUT CURRENT				DATA FOR 400 V 50 Hz VOLTAGE					
kW	IEC SIZE*	CONSTRUCTION		In (A)				min ⁻¹	Is / In	η %	cosφ	Tn	
		SHS	SHF	Δ 220-240 V	Y 380-415 V	Δ 380-415 V	Y 660-690 V					Nm	Ts/Tn**
0,75	80R	B5	-	3,50	2,02	-	-	2855	5,81	74,3	0,72	2,51	3,76
0,75	80	-	B3	3,72	2,15	-	-	2915	8,23	77,7	0,65	2,45	5,20
1,1	80	B5	B3	4,52	2,61	-	-	2875	6,78	78,9	0,77	3,65	3,49
1,5	90R	B5	-	5,98	3,45	-	-	2875	7,04	80,1	0,78	4,98	3,83
1,5	90	-	B3	5,23	3,02	-	-	2885	7,44	84,2	0,85	4,97	3,08
2,2	90R	B5	-	8,71	5,03	-	-	2860	7,32	81,1	0,78	7,34	4,12
2,2	90	-	B3	8,11	4,68	-	-	2890	8,28	85,6	0,79	7,27	3,72
3	100R	B5	-	10,8	6,25	-	-	2880	8,25	86,7	0,8	9,96	4,02
3	100	-	B3	10,0	5,77	-	-	2910	9,36	88,0	0,85	9,84	3,98
4	112R	B5	-	-	-	7,71	4,45	2900	9,51	89,1	0,84	13,2	3,93
4	112	-	B3	-	-	7,59	4,38	2890	8,62	87,7	0,87	13,2	3,48
5,5	132R	B5	-	-	-	10,4	6,00	2895	10,3	89,0	0,86	18,2	4,47
5,5	132	-	B3	-	-	10,7	6,18	2935	9,82	89,4	0,83	17,9	3,47
7,5	132	B5	B3	-	-	13,9	8,03	2925	9,52	89,9	0,87	24,5	3,24
11	160	B35	B3	-	-	19,8	11,4	2940	7,59	90,8	0,89	35,7	2,11
15	160	B35	B3	-	-	26,2	15,1	2945	8,23	92,3	0,89	48,6	2,37
18,5	160	B35	B3	-	-	33,4	19,3	2955	9,25	93,1	0,86	59,8	2,62
22	180R	B35	-	-	-	37,9	21,9	2950	9,37	93,1	0,90	71,2	2,68
22	180	-	B3	-	-	41,7	24,1	2930	7,10	90,8	0,84	72,0	2,50
30	200	B35	B3	-	-	54	31,2	2950	6,80	92,5	0,87	97,0	2,40
37	200	B35	B3	-	-	65	37,5	2950	7,20	92,9	0,88	120	2,50
45	225	-	B3	-	-	80	46	2960	6,70	92,9	0,88	145	2,40
55	250	-	B3	-	-	99	57	2955	6,70	93,0	0,87	178	2,40
75	280	-	B3	-	-	133	77	2960	6,80	93,8	0,87	242	2,30

* R = Reduced size of motor casing as compared to shaft extension and flange.

shs-shf-mott-2p50-en_c_te

** Ts/Tn = ratio between starting torque and nominal torque.



SHE SERIES THREE-PHASE 50 Hz, 4-POLE MOTORS

MOTOR TYPE			INPUT CURRENT				DATA FOR 400 V 50 Hz VOLTAGE					
kW	IEC SIZE*	CONSTRUCTION DESIGN	In (A)				min ⁻¹	Is / In	η %	cosφ	Tn Nm	Ts/Tn**
			Δ 220-240 V	Y 380-415 V	Δ 380-415 V	Y 660-690 V						
0,25	71	B5	1,71	0,99	-	-	1390	3,58	62,0	0,59	1,71	3,16
0,37	71	B5	2,53	1,46	-	-	1370	3,39	61,4	0,60	2,57	3,40
0,55	90R	B14	3,03	1,75	-	-	1390	3,95	68,2	0,67	3,77	2,45
0,75	90R	B5	4,04	2,33	-	-	1395	4,06	70,1	0,66	5,13	2,73
1,1	90	B5	4,66	2,69	-	-	1445	5,78	83,9	0,71	7,28	2,11
1,5	90	B5	6,46	3,73	-	-	1445	6,84	85,3	0,68	9,88	2,84
2,2	100	B5	8,11	4,68	-	-	1450	6,97	86,8	0,79	14,6	2,58
3	100	B5	11,8	6,81	-	-	1455	7,53	87,6	0,73	19,7	3,12
4	112	B5	-	-	8,48	4,90	1450	7,67	88,3	0,77	26,4	2,71
5,5	132	B14	-	-	11,3	6,52	1455	7,13	89,5	0,79	36	2,88
7,5	132	B14	-	-	15,4	8,89	1455	7,38	90,1	0,78	49,1	3,10
11	160	B34	-	-	21,1	12,2	1465	6,92	91,1	0,83	71,6	2,39

* R = Reduced size of motor casing as compared to shaft extension and flange.

she-mott-4p50-en_c_te

** Ts/Tn = ratio between starting torque and nominal torque.

SHS-SHF SERIES THREE-PHASE 50 Hz, 4-POLE MOTORS

MOTOR TYPE				INPUT CURRENT				DATA FOR 400 V 50 Hz VOLTAGE					
kW	IEC SIZE	CONSTRUCTION DESIGN		In (A)				min ⁻¹	Is / In	η %	cosφ	Tn Nm	Ts/Tn**
		SHS	SHF	Δ 220-240 V	Y 380-415 V	Δ 380-415 V	Y 660-690 V						
0,25	71	-	B3	1,71	0,99	-	-	1390	3,58	62,0	0,59	1,71	3,16
0,37	71	-	B3	2,53	1,46	-	-	1370	3,39	61,4	0,60	2,57	3,40
0,55	80	B5	B3	3,03	1,75	-	-	1390	3,95	68,2	0,67	3,77	2,45
0,75	80	B5	B3	4,04	2,33	-	-	1395	4,06	70,1	0,66	5,13	2,73
1,1	90	B5	B3	4,66	2,69	-	-	1445	5,78	83,9	0,71	7,28	2,11
1,5	90	B5	B3	6,46	3,73	-	-	1445	6,84	85,3	0,68	9,88	2,84
2,2	100	B5	B3	8,11	4,68	-	-	1450	6,97	86,8	0,79	14,6	2,58
3	100	B5	B3	11,8	6,81	-	-	1455	7,53	87,6	0,73	19,7	3,12
4	112	B5	B3	-	-	8,48	4,90	1450	7,67	88,3	0,77	26,4	2,71
5,5	132	B5	B3	-	-	11,3	6,52	1455	7,13	89,5	0,79	36	2,88
7,5	132	B5	B3	-	-	15,4	8,89	1455	7,38	90,1	0,78	49,1	3,10
11	160	B35	B3	-	-	21,1	12,2	1465	6,92	91,1	0,83	71,6	2,39

** Ts/Tn = ratio between starting torque and nominal torque.

shs-shf-mott-4p50-en_c_te

MOTOR NOISE

The tables below show the mean sound pressure levels (Lp) measured at 1 meter's distance in a free field according to the A curve (ISO 1680 standard).

The noise values are measured with idling 50 Hz motor with a tolerance of 3 dB (A).

**SHE-SHS MOTORS
50 Hz 2-POLE**

POWER	MOTOR TYPE	NOISE
kW	IEC* SIZE	LpA dB
0,75	90R	<70
1,1	90R	<70
1,5	90R	<70
2,2	90R	<70
3	90	<70
3	100R	<70
4	112R	<70
5,5	112	<70
7,5	132	71
9,2	132	73
11	132	73
11	160	71
15	160	71
18,5	160	73
22	160	70
22	180R	70
30	200	80
37	200	80

**SHF MOTORS
50 Hz 2-POLE**

POWER	MOTOR TYPE	NOISE
kW	IEC SIZE	LpA dB
0,75	80	<70
1,1	80	<70
1,5	90	<70
2,2	90	<70
3	100	<70
4	112	<70
5,5	132	71
7,5	132	71
11	160	71
15	160	71
18,5	160	73
22	180	78
30	200	80
37	200	80
45	225	84
55	250	84
75	280	84

**SHE4-SHS4 MOTORS
50 Hz 4-POLE**

POWER	MOTOR TYPE	NOISE
kW	IEC* SIZE	LpA dB
0,25	71	<70
0,37	71	<70
0,55	90R	<70
0,75	90R	<70
1,1	90	<70
1,5	90	<70
2,2	100	<70
3	100	<70
4	112	<70
5,5	132	<70
7,5	132	<70
11	160	<70

**SHF4 MOTORS
50 Hz 4-POLE**

POWER	MOTOR TYPE	NOISE
kW	IEC SIZE	LpA dB
0,25	71	<70
0,37	71	<70
0,55	80	<70
0,75	80	<70
1,1	90	<70
1,5	90	<70
2,2	100	<70
3	100	<70
4	112	<70
5,5	132	<70
7,5	132	<70
11	160	<70

*R=Reduced size of motor as compared to shaft extension and flange.

sh_she-shs-shf_mott-en_c_tr



Lowara

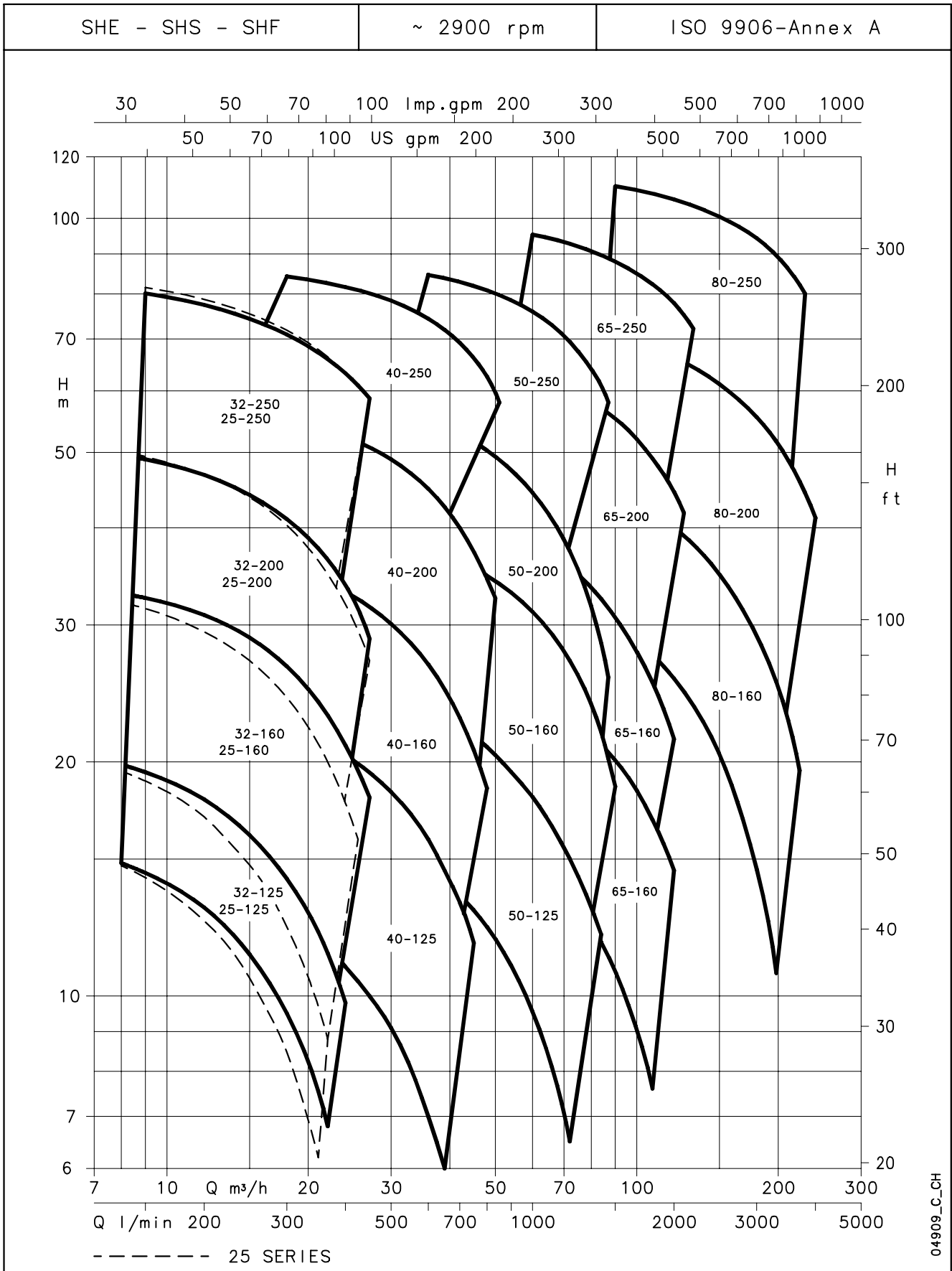


ITT

Lowara

SHE-SHS-SHF SERIES

HYDRAULIC PERFORMANCE RANGE AT 50 Hz, 2 POLES



04909_C_CH

These performances are valid for liquids with density $\rho = 1,0 \text{ Kg/dm}^3$ and kinematic viscosity $\nu = 1 \text{ mm}^2/\text{sec}$.



ITT

Lowara

SHE-SHS-SHF SERIES

TABLE OF HYDRAULIC PERFORMANCES AT 50 Hz, 2 POLES

PUMP TYPE	RATED POWER		Q = DELIVERY																			
	kW	HP	Vmin 0	150	200	250	300	400	450	600	700	800	900	1000	1200	1500	1800	2000	2500	3150	3700	
			m³/h 0	9	12	15	18	24	27	36	42	48	54	60	72	90	108	120	150	189	222	
H = TOTAL HEAD METRES COLUMN OF WATER																						
25-125/07 *	0,8	1	17,3	14,2	12,5	10,5	8,4															
25-125/11 *	1,1	1,5	22,3	18,9	17	14,7	12,3															
25-160/15 *	1,5	2	27,7	24,8	22,9	20,5	17,9	11,9														
25-160/22 *	2,2	3	34,6	31,5	29,4	27	24,2	17,7														
25-200/30	3	4	44,9	39,2	36,7	33,8	30,4	22,4														
25-200/40	4	5,5	54,5	49,4	46,8	43,8	40,3	31,9	27													
25-250/55	5,5	7,5	61,4	55,8	53,2	50,3	47	39,2														
25-250/75	7,5	10	75,9	69,3	66,5	63,2	59,6	51,1														
25-250/110	11	15	87,5	81,5	78,7	75,4	71,8	63,3	58,4													
32-125/07 *	0,8	1	16,6	14,4	13	11,3	9,5															
32-125/11 *	1,1	1,5	21,6	19,4	17,8	16,2	14,2	9,8														
32-160/15 *	1,5	2	27,6	24,6	22,7	20,6	18,1	12,7														
32-160/22 *	2,2	3	35	32,5	31	29	26,6	21	18													
32-200/30	3	4	43,7	38,5	36	33	30	22,3														
32-200/40	4	5,5	53,5	49	46,8	44	41	33,8	28,8													
32-250/55	5,5	7,5	61,7	56,7	54,2	51,2	47,9	40														
32-250/75	7,5	10	74,1	68,9	66,2	63	60	52,2														
32-250/110	11	15	86,2	80,1	77,5	74,3	71	63,3	58,7													
40-125/11 *	1,1	1,5	14,4				12,5	10,9	10	7												
40-125/15 *	1,5	2	17,5				16	14,4	13,4	10,2	8											
40-125/22 *	2,2	3	25,3				22,2	20,4	19,5	15,9	13,2											
40-160/30	3	4	32,2				29,5	26,9	25,4	20,8	17											
40-160/40	4	5,5	38				35,5	33,2	31,7	26,7	22,8	18,5										
40-200/55	5,5	7,5	49,1				46,4	43,8	42	36,2	31	25										
40-200/75	7,5	10	58,2				55,1	52,3	50,8	45	40	34,5										
40-250/ **	**	**	64,9				62	59,5	58	51,5	44,6											
40-250/110	11	15	74,7				71,4	69	67,8	61,5	55,2											
40-250/150	15	20	87,7				84,2	81,5	80	74,3	69,2	62,5										
50-125/22 *	2,2	3	17,2						14,6	13,4	12,2	11	9,5	6,5								
50-125/30	3	4	21,7						18,8	17,5	16,3	14,8	13,4	10,5								
50-125/40	4	5,5	25,7						23,3	22,2	20,8	19,3	18	15								
50-160/55	5,5	7,5	34,1						30,6	29,2	27,6	28	26,6	19,8								
50-160/75	7,5	10	40,8						37,5	36,2	34,8	25,8	24	27	18,6							
50-200/ **	**	**	53						47,5	45,3	42,8	40	36,8	29,8								
50-200/110	11	15	60,1						55	52,8	50,3	47,5	44,3	37,5								
50-250/150	15	20	70,2						66,6	65	63,3	61	58,3	51								
50-250/185	19	25	80						75	73,2	71,4	69	66,3	59,5								
50-250/220	22	30	88,9						84,6	82,8	80,7	78,5	75,8	69,5								
65-160/40	4	5,5	19,6								16,8	16	15,2	13,5	10,8	7,6						
65-160/55	5,5	7,5	24,2								21,4	20,7	19,8	18	15,2	11,8						
65-160/75	7,5	10	28,2								26	25,3	24,7	23	20	16,8	14,5					
65-160/ **	**	**	38,2								35,4	34,3	33	30	25,5	20						
65-160/110	11	15	43,2								40,8	39,8	38,5	35,5	30,6	25,4	21,4					
65-200/150	15	20	53									48,8	47,5	44,3	38,5	32						
65-200/185	19	25	60,2									56,5	55,3	52	47	40	35,4					
65-200/220	22	30	68									64,4	63,3	60	55	49	44,5					
65-250/300	30	40	84,3										81,7	79,5	75	69	64					
65-250/370	37	50	98										95,3	93	88	82,5	78					
80-160/110	11	15	33,6											31,9	30	27,5	25,5	20,5	12,5			
80-160/150	15	20	40,3											38,8	37	34,5	33	27,5	20			
80-160/185	19	25	47,2											45,7	44	41,5	40	35	27,5	19,5		
80-200/220	22	30	53												49,8	47,5	46	41	33,5			
80-200/300	30	40	63,6												61,2	59	57	52	44	36,5		
80-200/370	37	50	71,4												69,5	67,5	66	61	53,5	46		
80-250/450***	45	60	83,5												80,5	78	76	70	61			
80-250/550***	55	75	95,7												93,6	91	89	83,5	75	64,6		
80-250/750***	75	100	112												110	108	106	101	92	82		

* A single-phase version (SHEM) is also available

** /92 = 9.2kW - 12.5HP SHE ** /110 = 11kW - 15HP SHS

*** Only the SHF version is available

Performances according to ISO standards 9906 - Annex A.

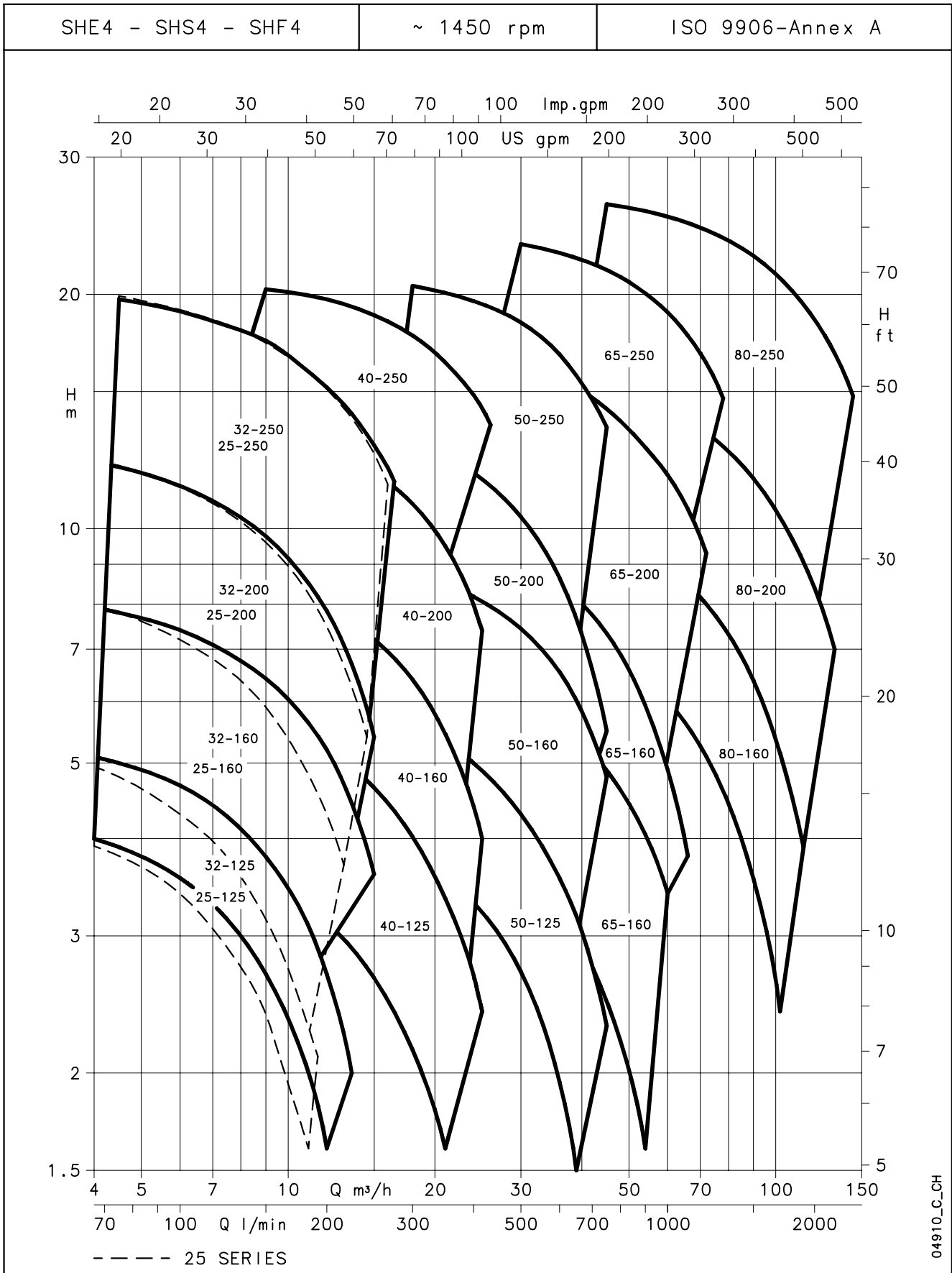
she-shs-shf-2p50-en_c_th



ITT

Lowara

SHE4-SHS4-SHF4 SERIES HYDRAULIC PERFORMANCE RANGE AT 50 Hz, 4 POLES



04910_C_CH

These performances are valid for liquids with density $\rho = 1,0 \text{ Kg/dm}^3$ and kinematic viscosity $\nu = 1 \text{ mm}^2/\text{sec}$.



ITT

Lowara

SHE4-SHS4-SHF4 SERIES

TABLE OF HYDRAULIC PERFORMANCES AT 50 Hz, 4 POLES

PUMP TYPE	RATED POWER		Q = DELIVERY																			
	kW	HP	V/min 0	75	100	125	150	200	250	300	350	400	450	500	600	750	1000	1200	1800	2000	2200	
			m³/h 0	4,5	6	7,5	9	12	15	18	21	24	27	30	36	45	60	72	108	120	132	
H = TOTAL HEAD METRES COLUMN OF WATER																						
25-125/02A *	0,3	0,3	4,4	3,8	3,4	2,9	2,4															
25-125/02 *	0,3	0,3	5,6	4,8	4,3	3,8	3,2															
25-160/02 *	0,3	0,3	6,9	6,1	5,6	5,1	4,4	2,9														
25-160/03 *	0,4	0,5	8,6	7,8	7,2	6,6	5,9	4,3														
25-200/03 *	0,4	0,5	11	9,4	8,7	8	7,1	5,1														
25-200/05 *	0,6	0,8	13,4	12	11,3	10,5	9,6	7,5														
25-250/07	0,8	1	14,9	13,3	12,6	11,9	11	9	6,7													
25-250/11	1,1	1,5	18,8	17,1	16,3	15,5	14,6	12,4	9,9													
25-250/15	1,5	2	21,5	19,9	19,1	18,3	17,3	15,1	12,6													
32-125/02A *	0,3	0,3	4,4	3,9	3,6	3,1	2,7	1,6														
32-125/02 *	0,3	0,3	5,5	5	4,7	4,3	3,8	2,7														
32-160/02 *	0,3	0,3	6,9	5,9	5,4	4,9	4,4	2,9														
32-160/03 *	0,4	0,5	8,6	7,8	7,4	6,9	6,4	5,2	3,6													
32-200/03 *	0,4	0,5	10,8	9,4	8,7	7,9	7	5,1														
32-200/05 *	0,6	0,8	13,2	12	11,3	10,6	9,8	7,8	5,4													
32-250/07	0,8	1	14,5	13	12,3	11,6	10,8	8,9	6,5													
32-250/11	1,1	1,5	18,4	16,8	16,1	15,3	14,4	12,5	10,1													
32-250/15	1,5	2	21,3	19,7	19	18,2	17,5	15,2	12,8													
40-125/02A *	0,3	0,3	3,5				3	2,7	2,3	1,8	1,3											
40-125/02 *	0,3	0,3	5,4				4,8	4,4	3,9	3,3	2,7	2										
40-125/03 *	0,4	0,5	6,3				5,7	5,2	4,7	4	3,3	2,7										
40-160/03 *	0,4	0,5	8				7,2	6,6	5,9	5,2	4	3,1										
40-160/05 *	0,6	0,8	9,2				8,5	7,9	7,2	6,4	5,4	4,4										
40-200/07	0,8	1	11,9				11,2	10,5	9,7	8,6	7,3	5,8										
40-200/11	1,1	1,5	14,2				13,3	12,7	11,8	10,8	9,5	8										
40-250/11	1,1	1,5	15,7				15	14	13	11,9	10,3											
40-250/15	1,5	2	18,1				17	16,3	15,6	14,5	13	11,4										
40-250/22	2,2	3	21,5				20,3	19,7	18,8	17,7	16,3	14,8										
50-125/03A *	0,4	0,5	4,4							3,8	3,6	3,3	3	2,7	1,9							
50-125/03 *	0,4	0,5	5,4							4,6	4,3	4	3,7	3,3	2,6							
50-125/05 *	0,6	0,8	6,4							5,6	5,3	5	4,7	4,3	3,6	2,3						
50-160/07	0,8	1	8,2							7,3	7	6,7	6,3	5,8	5							
50-160/11	1,1	1,5	9,9							8,8	8,5	8,2	7,8	7,5	6,5	4,8						
50-200/11	1,1	1,5	12,8							11,2	10,7	10	9,3	8,6	6,8							
50-200/15	1,5	2	14,7							13	12,4	11,8	11,2	10,3	8,7	5,5						
50-250/22A	2,2	3	17,5							16	15,5	15	14,3	13,8	12							
50-250/22	2,2	3	19,4							17,8	17,3	16,8	16,2	15,4	13,8							
50-250/30	3	4	21,9							20,5	20,2	19,6	19	18,4	16,7	13,5						
65-160/05	0,6	0,8	5,4									4,2	3,9	3,7	3,2	2,5						
65-160/07	0,8	1	6,4									5,3	5,1	4,8	4,4	3,6						
65-160/11A	1,1	1,5	7,6									7	6,3	6,1	5,7	4,9	3,4					
65-160/11	1,1	1,5	9,4									8,5	8,2	8	7	5,9	3,4					
65-160/15	1,5	2	10,6									9,7	9,5	9,2	8,5	7,3	4,9					
65-200/15	1,5	2	11,9										10,6	10,2	9,3	7,9	5,1					
65-200/22	2,2	3	14,4											13,2	12,8	12	10,6	7,8				
65-200/30	3	4	17,5												16,6	16,3	15,6	14,2	11,7	9,3		
65-250/40	4	5,5	20,7													19,5	18,8	17,7	15	12		
65-250/55	5,5	7,5	24													23,2	22,7	21,4	19	16,4		
80-160/15	1,5	2	8,3													7,6	7	6	5,2			
80-160/22A	2,2	3	9,6													9	8,5	7,5	6,5	3,2		
80-160/22	2,2	3	11													10,4	9,8	9	8	4,5		
80-200/30	3	4	12,9														12	10,8	9,8	6,1	4,6	
80-200/40	4	5,5	16,1														15,4	14,3	11,3	9,7	8,4	7
80-250/55	5,5	7,5	20,3														19,5	18,4	17,3	12,3	10,1	
80-250/75	7,5	1	23,1														22,2	21,3	20,3	16,1	14,2	12,2
80-250/110	11	15	26,7														26,1	25,2	24,2	20,2	18,6	16,8

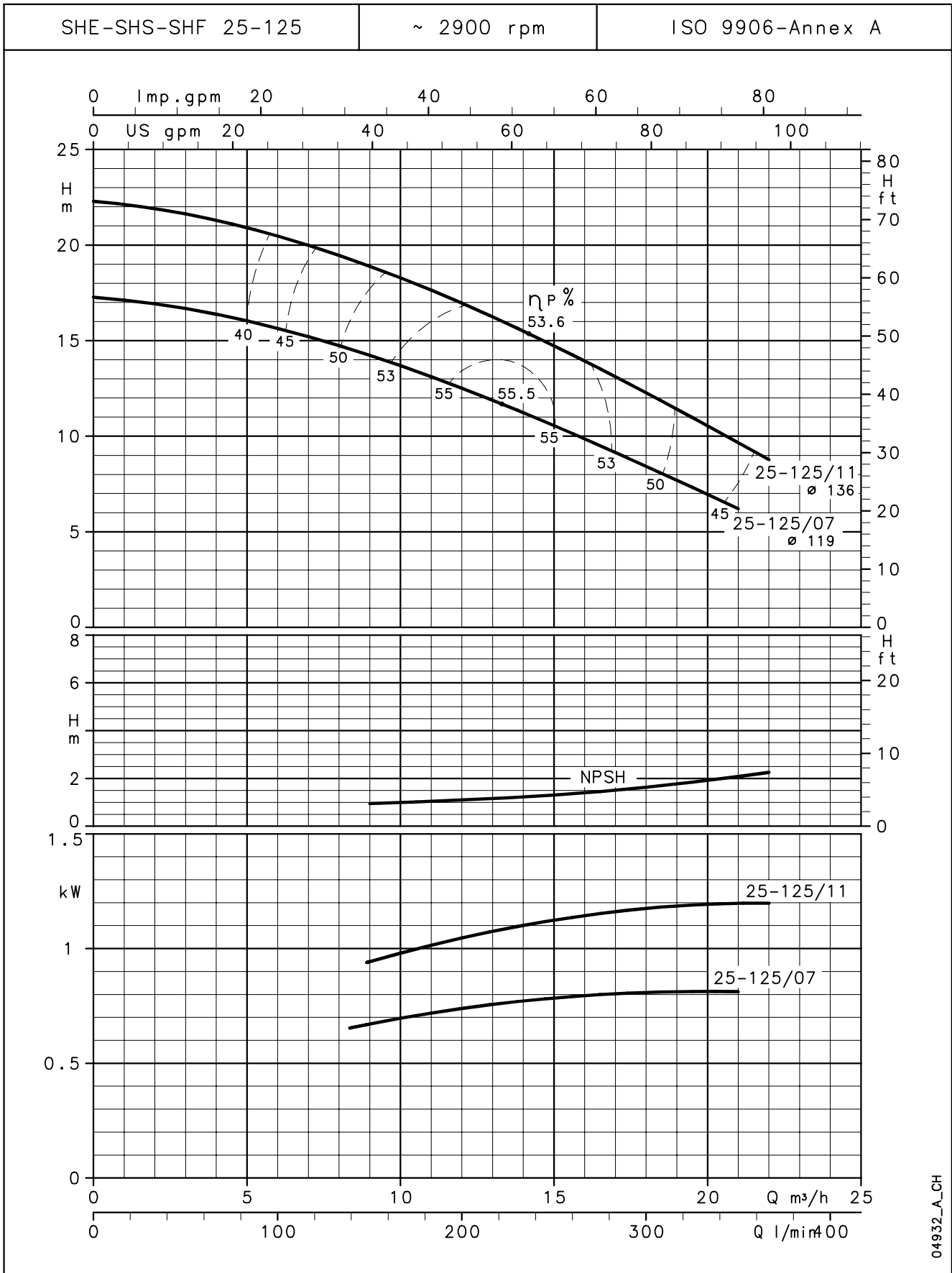
* SHS4 version is not available.



ITT

Lowara

SHE-SHS-SHF SERIES OPERATING CHARACTERISTICS AT 50 Hz, 2 POLES



04932_A_CH

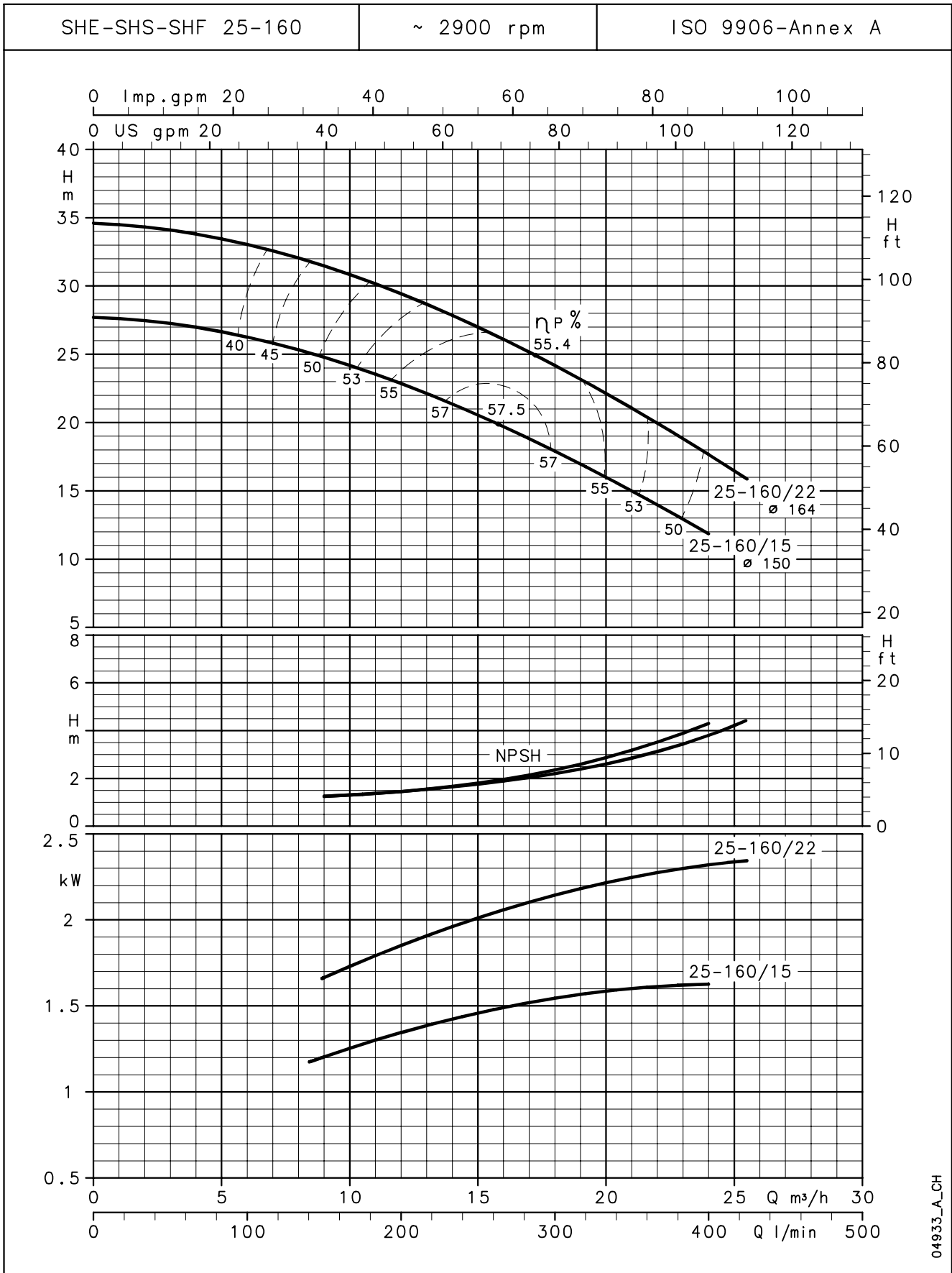
The NPSH values are laboratory values; for practical use we suggest increasing these values by 0,5 m.
These performances are valid for liquids with density $\rho = 1,0 \text{ Kg/dm}^3$ and kinematic viscosity $\nu = 1 \text{ mm}^2/\text{sec}$.



ITT

Lowara

SHE-SHS-SHF SERIES OPERATING CHARACTERISTICS AT 50 Hz, 2 POLES



04933_A_CH

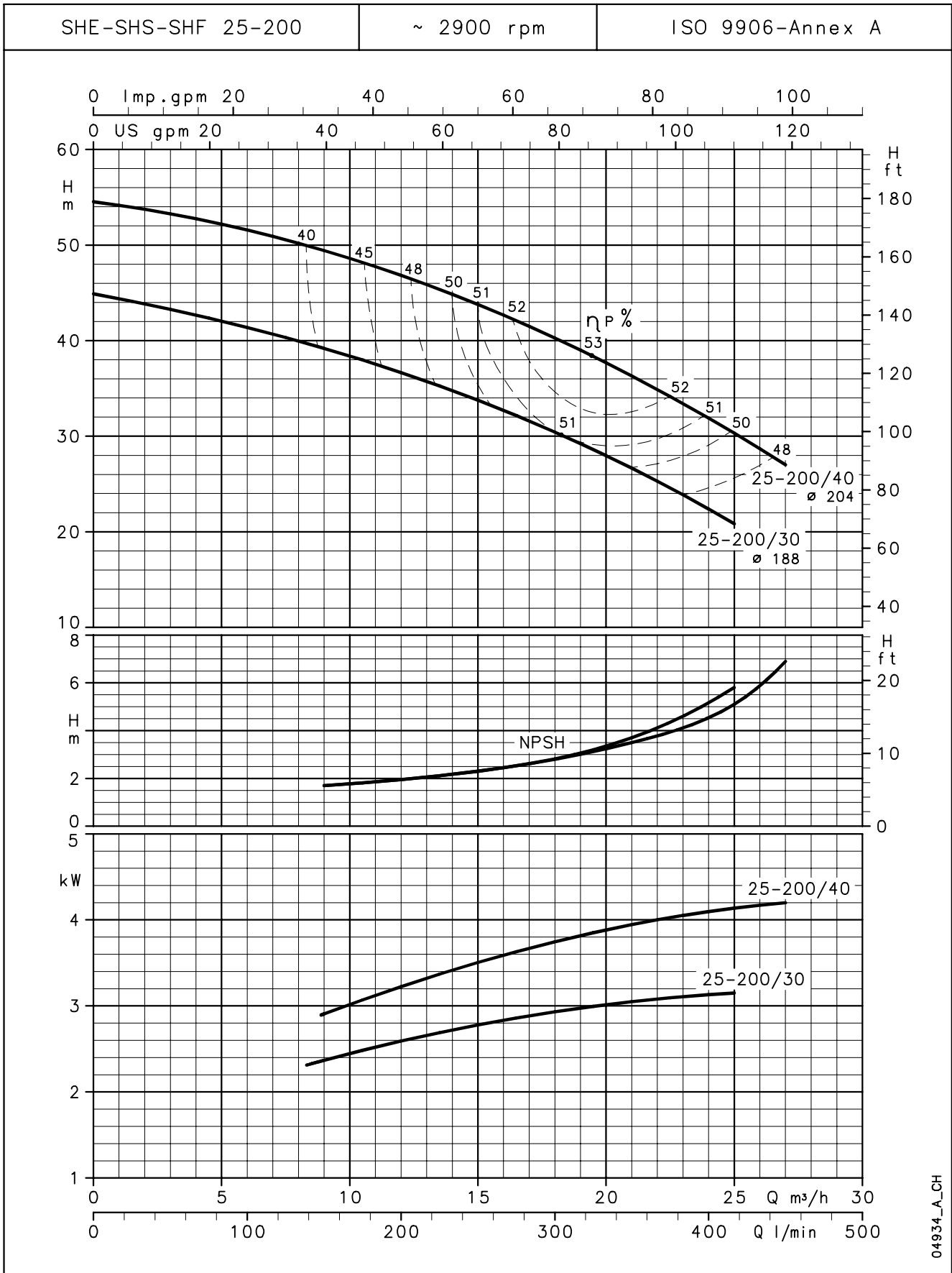
The NPSH values are laboratory values; for practical use we suggest increasing these values by 0,5 m.
These performances are valid for liquids with density ρ = 1,0 Kg/dm³ and kinematic viscosity ν = 1 mm²/sec.



ITT

Lowara

SHE-SHS-SHF SERIES OPERATING CHARACTERISTICS AT 50 Hz, 2 POLES



04934_A_CH

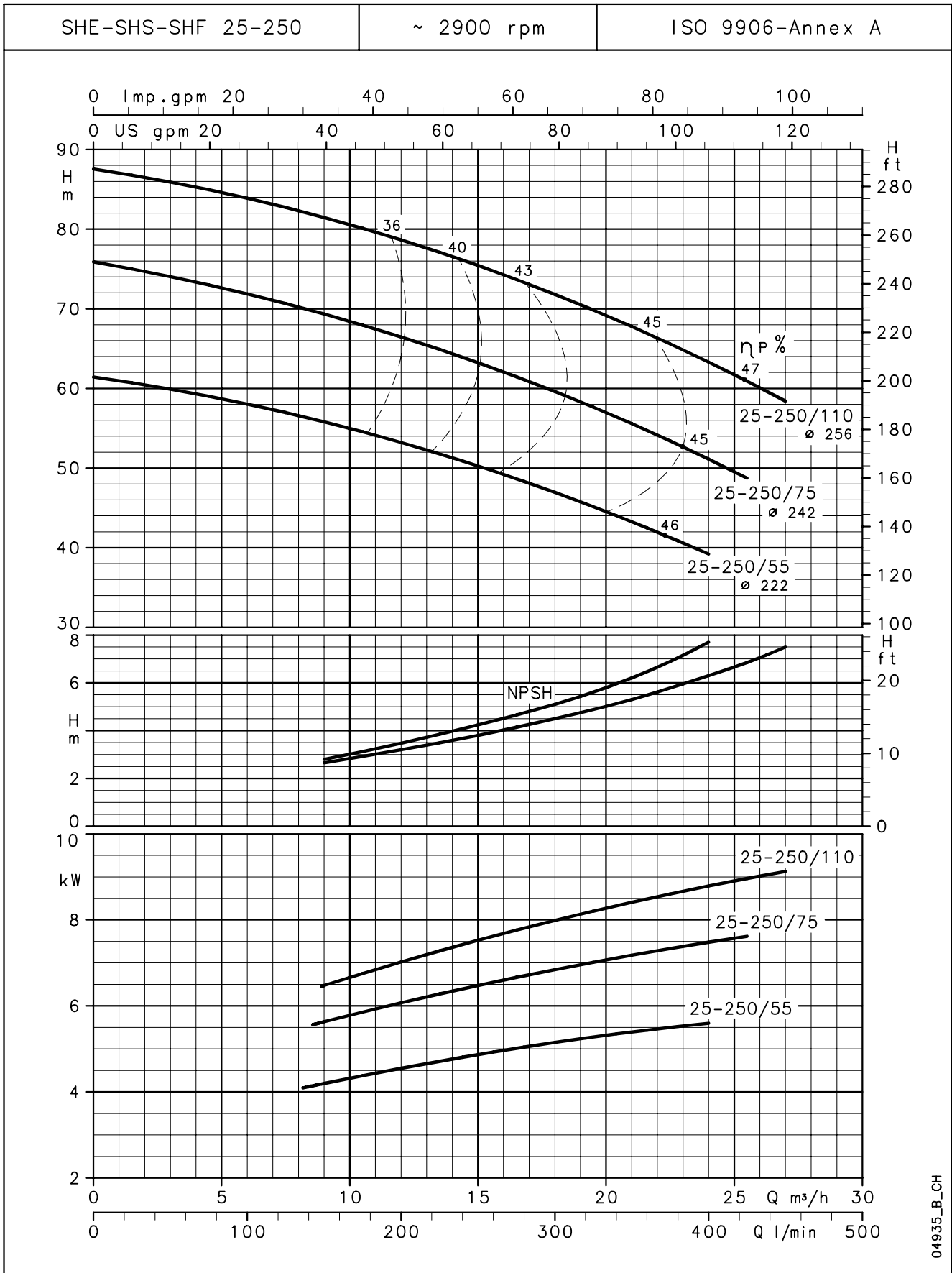
The NPSH values are laboratory values; for practical use we suggest increasing these values by 0,5 m.
These performances are valid for liquids with density $\rho = 1,0 \text{ Kg/dm}^3$ and kinematic viscosity $\nu = 1 \text{ mm}^2/\text{sec}$.



ITT

Lowara

SHE-SHS-SHF SERIES OPERATING CHARACTERISTICS AT 50 Hz, 2 POLES



04935_B_CH

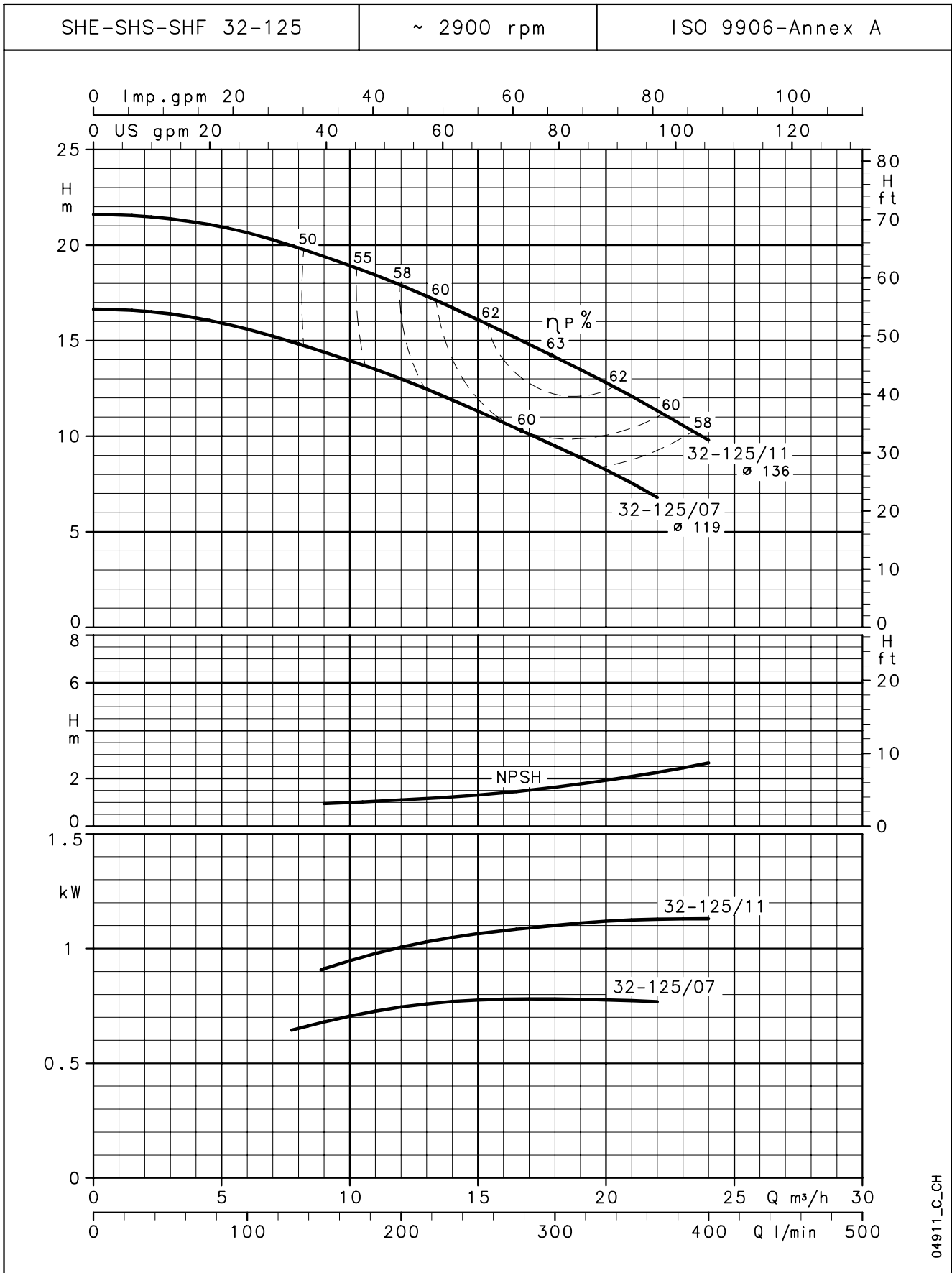
The NPSH values are laboratory values; for practical use we suggest increasing these values by 0,5 m.
These performances are valid for liquids with density $\rho = 1,0 \text{ Kg/dm}^3$ and kinematic viscosity $\nu = 1 \text{ mm}^2/\text{sec}$.



ITT

Lowara

SHE-SHS-SHF SERIES OPERATING CHARACTERISTICS AT 50 Hz, 2 POLES



04911_C_CH

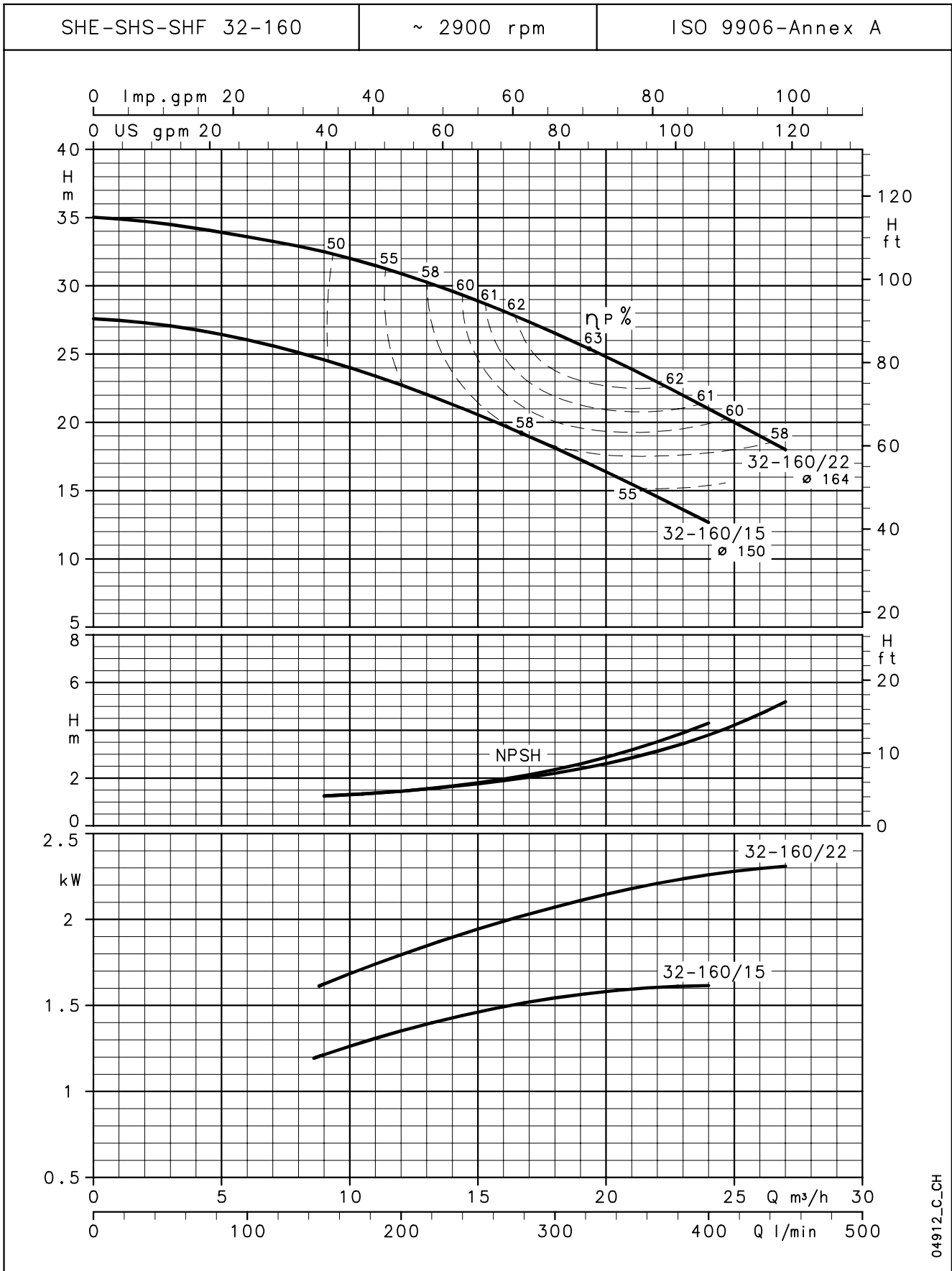
The NPSH values are laboratory values; for practical use we suggest increasing these values by 0,5 m.
These performances are valid for liquids with density ρ = 1,0 Kg/dm³ and kinematic viscosity ν = 1 mm²/sec.



ITT

Lowara

SHE-SHS-SHF SERIES OPERATING CHARACTERISTICS AT 50 Hz, 2 POLES



04912_C_CH

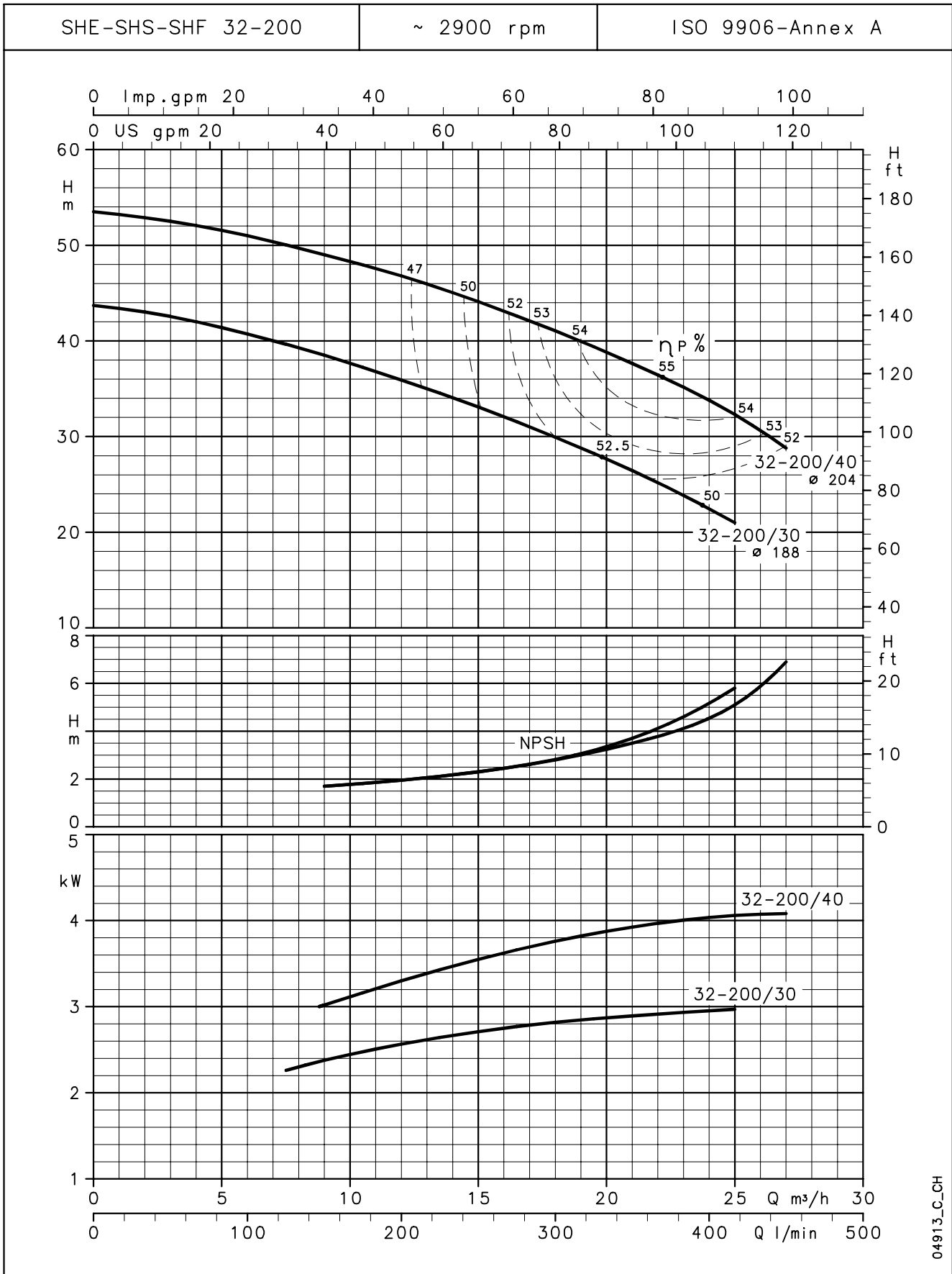
The NPSH values are laboratory values; for practical use we suggest increasing these values by 0,5 m.
These performances are valid for liquids with density $\rho = 1,0 \text{ Kg/dm}^3$ and kinematic viscosity $\nu = 1 \text{ mm}^2/\text{sec}$.



ITT

Lowara

SHE-SHS-SHF SERIES OPERATING CHARACTERISTICS AT 50 Hz, 2 POLES



04913_C_CH

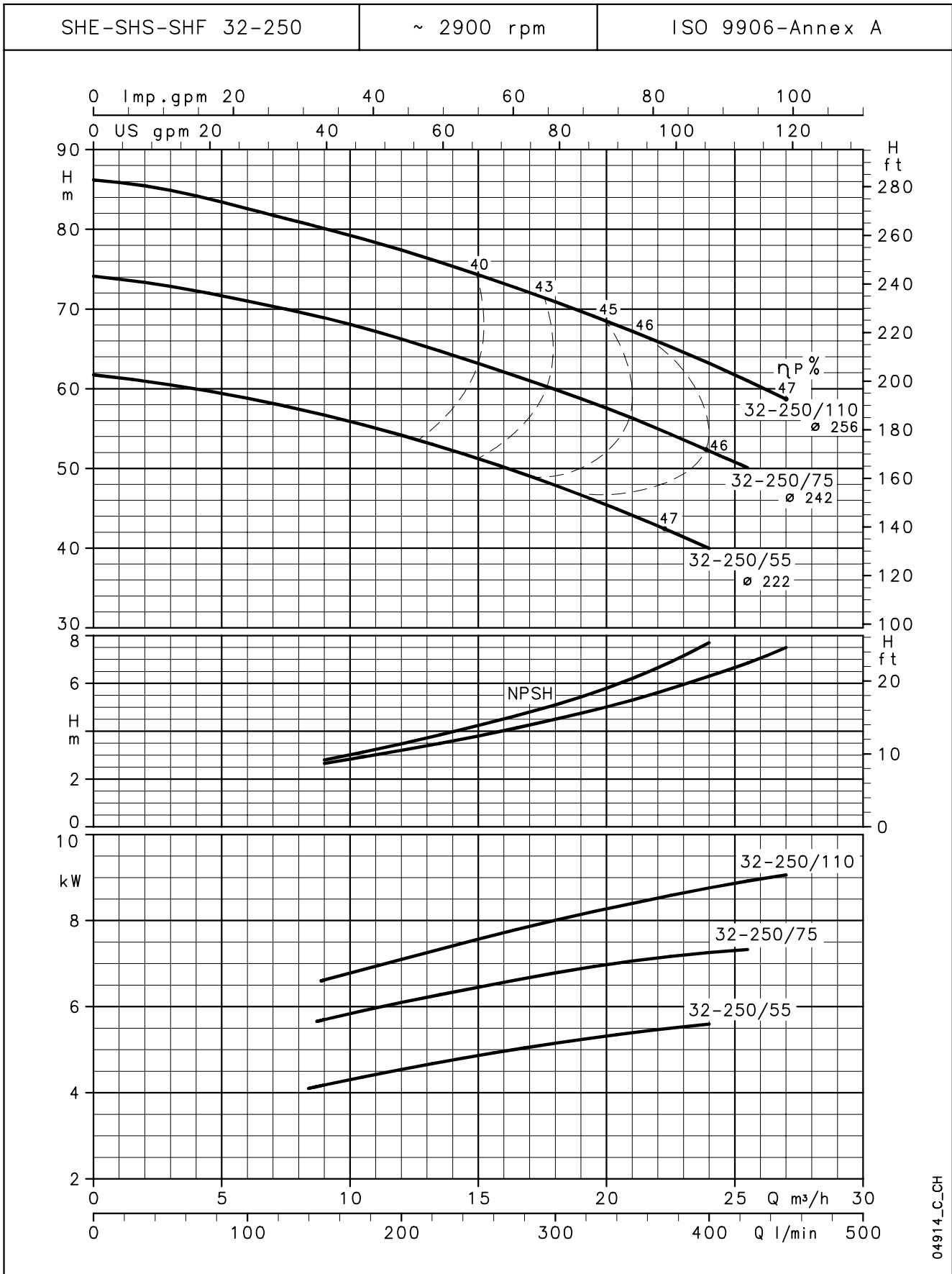
The NPSH values are laboratory values; for practical use we suggest increasing these values by 0,5 m.
These performances are valid for liquids with density $\rho = 1,0 \text{ Kg/dm}^3$ and kinematic viscosity $\nu = 1 \text{ mm}^2/\text{sec}$.



ITT

Lowara

SHE-SHS-SHF SERIES OPERATING CHARACTERISTICS AT 50 Hz, 2 POLES



04914_C_CH

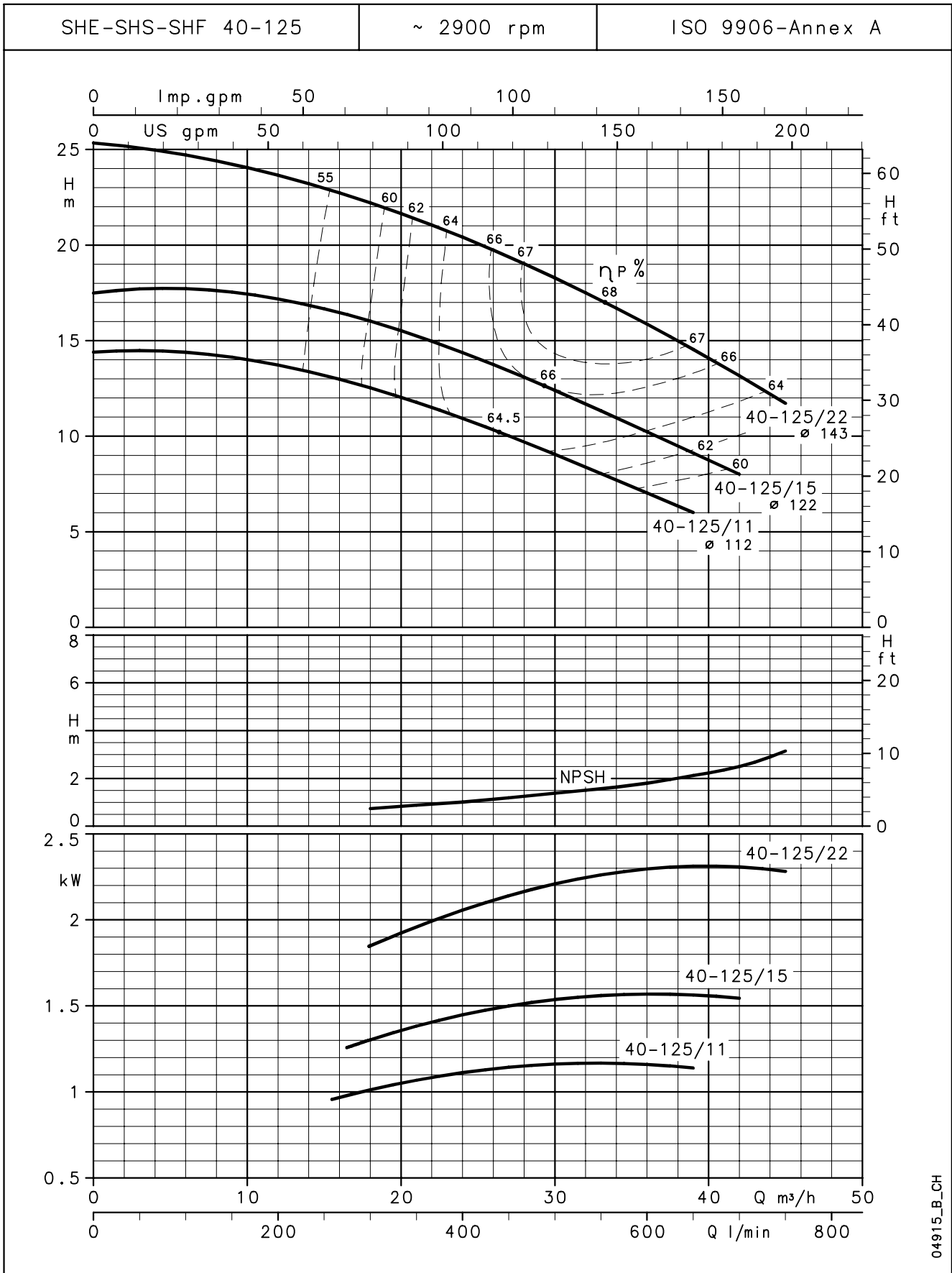
The NPSH values are laboratory values; for practical use we suggest increasing these values by 0,5 m.
These performances are valid for liquids with density $\rho = 1,0 \text{ Kg/dm}^3$ and kinematic viscosity $\nu = 1 \text{ mm}^2/\text{sec}$.



ITT

Lowara

SHE-SHS-SHF SERIES OPERATING CHARACTERISTICS AT 50 Hz, 2 POLES



04915_B_CH

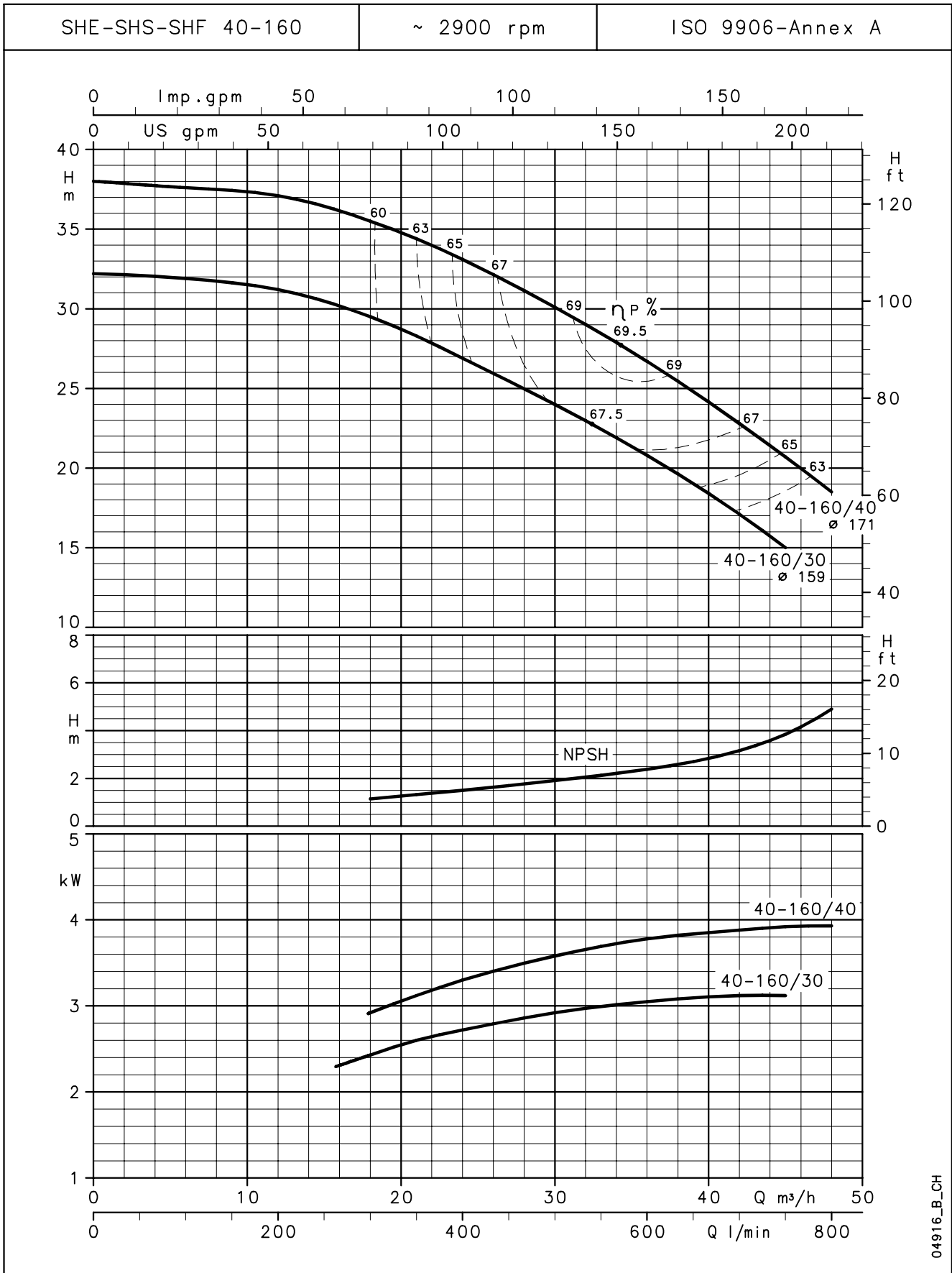
The NPSH values are laboratory values; for practical use we suggest increasing these values by 0,5 m.
These performances are valid for liquids with density $\rho = 1,0 \text{ Kg/dm}^3$ and kinematic viscosity $\nu = 1 \text{ mm}^2/\text{sec}$.



ITT

Lowara

SHE-SHS-SHF SERIES OPERATING CHARACTERISTICS AT 50 Hz, 2 POLES



04916_B_CH

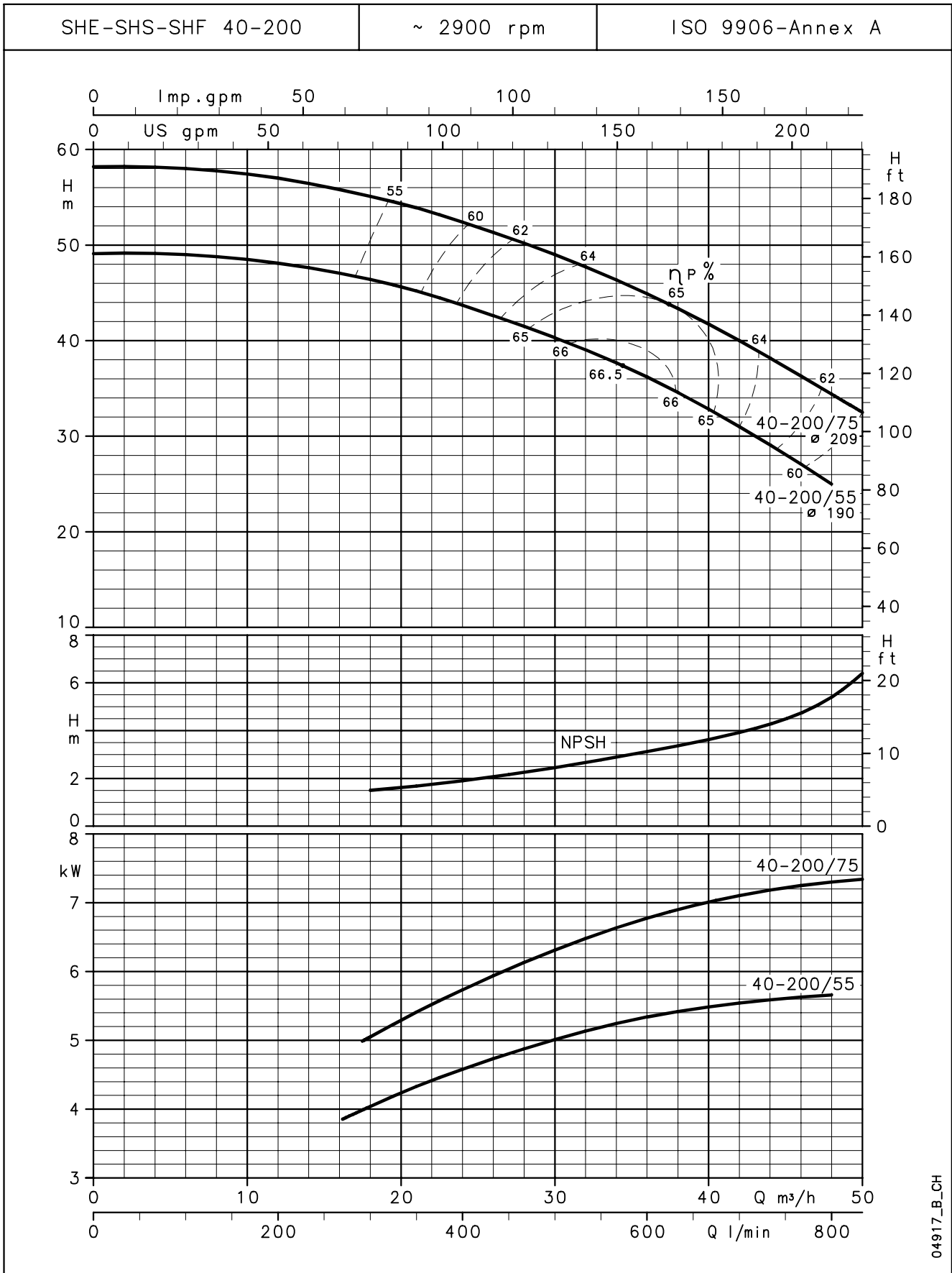
The NPSH values are laboratory values; for practical use we suggest increasing these values by 0,5 m.
These performances are valid for liquids with density $\rho = 1,0 \text{ Kg/dm}^3$ and kinematic viscosity $\nu = 1 \text{ mm}^2/\text{sec}$.



ITT

Lowara

SHE-SHS-SHF SERIES OPERATING CHARACTERISTICS AT 50 Hz, 2 POLES



04917_B_CH

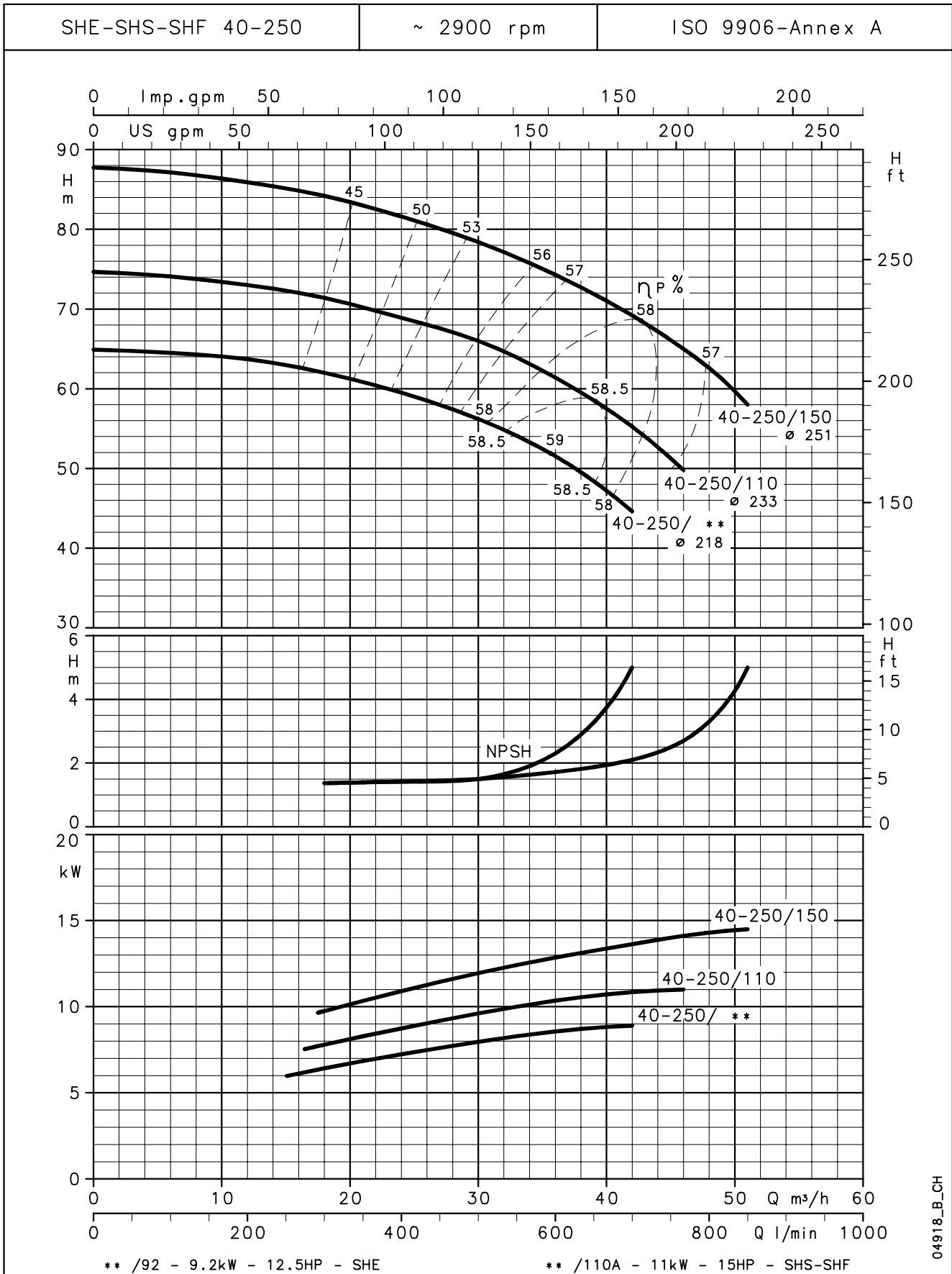
The NPSH values are laboratory values; for practical use we suggest increasing these values by 0,5 m.
These performances are valid for liquids with density $\rho = 1,0 \text{ Kg/dm}^3$ and kinematic viscosity $\nu = 1 \text{ mm}^2/\text{sec}$.



ITT

Lowara

SHE-SHS-SHF SERIES OPERATING CHARACTERISTICS AT 50 Hz, 2 POLES



04918_B_CH

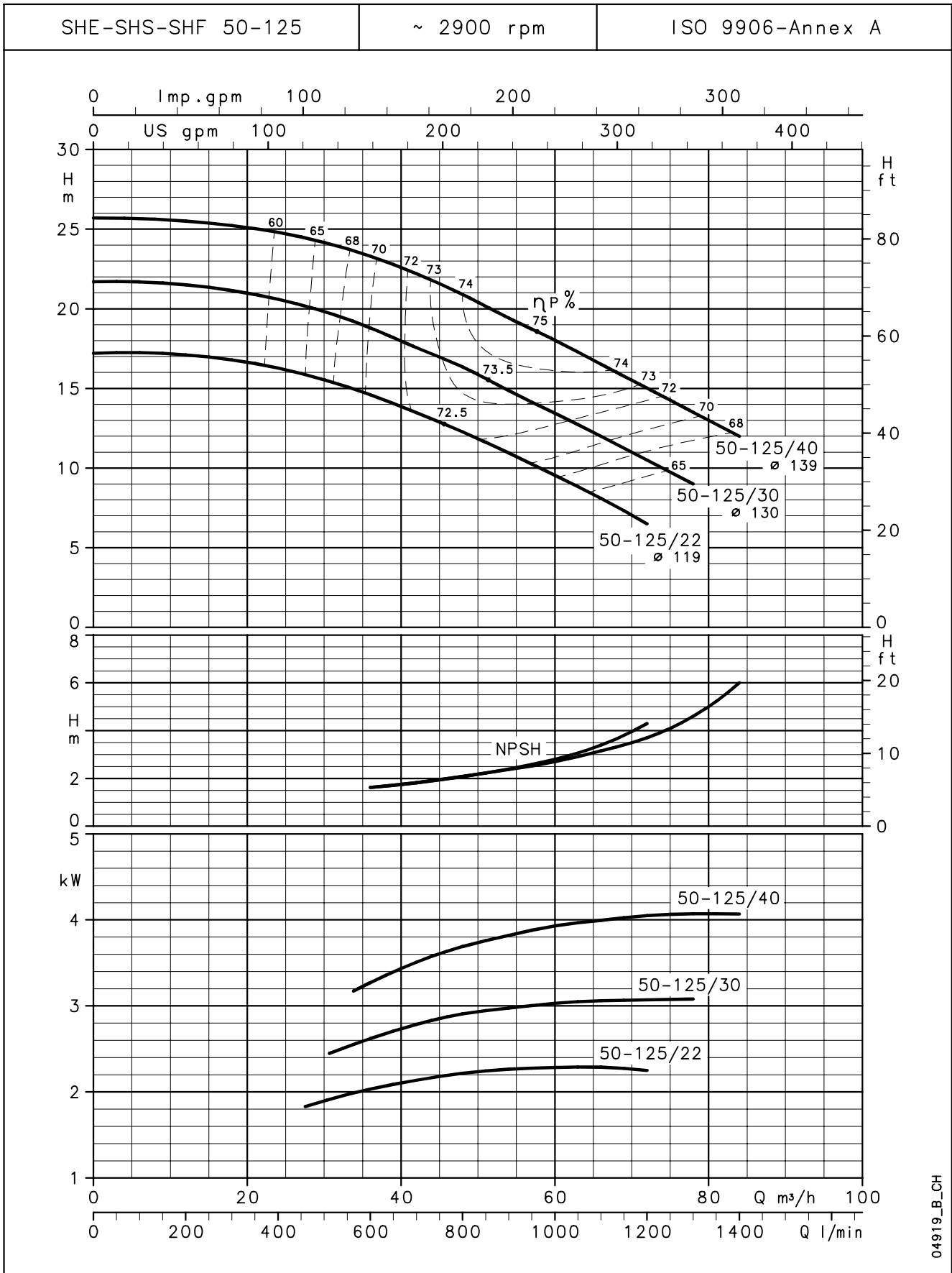
The NPSH values are laboratory values; for practical use we suggest increasing these values by 0,5 m.
These performances are valid for liquids with density $\rho = 1,0 \text{ Kg/dm}^3$ and kinematic viscosity $\nu = 1 \text{ mm}^2/\text{sec}$.



ITT

Lowara

SHE-SHS-SHF SERIES OPERATING CHARACTERISTICS AT 50 Hz, 2 POLES



04919_B_CH

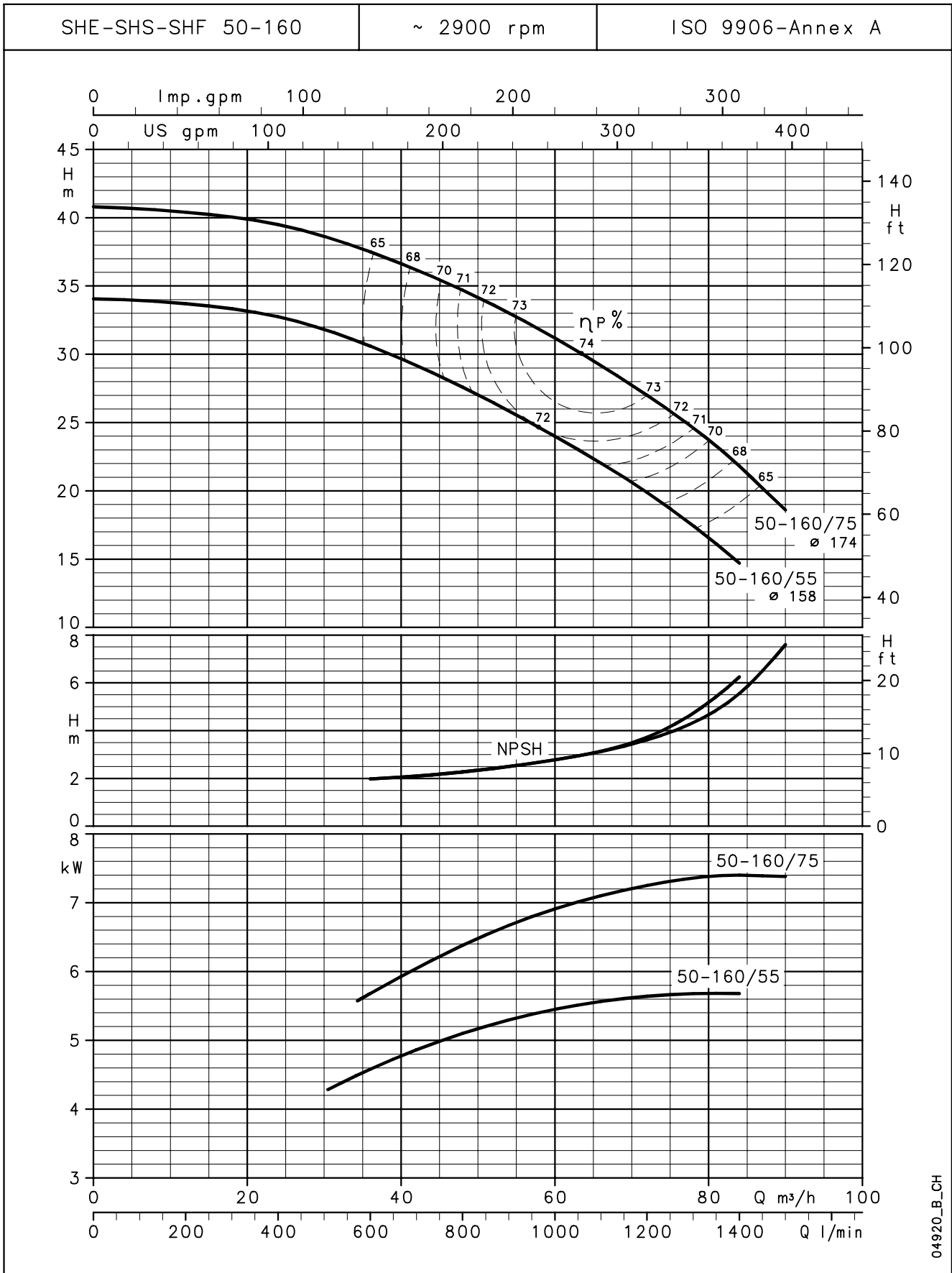
The NPSH values are laboratory values; for practical use we suggest increasing these values by 0,5 m.
These performances are valid for liquids with density $\rho = 1,0 \text{ Kg/dm}^3$ and kinematic viscosity $\nu = 1 \text{ mm}^2/\text{sec}$.



ITT

Lowara

SHE-SHS-SHF SERIES OPERATING CHARACTERISTICS AT 50 Hz, 2 POLES



04920_B_CH

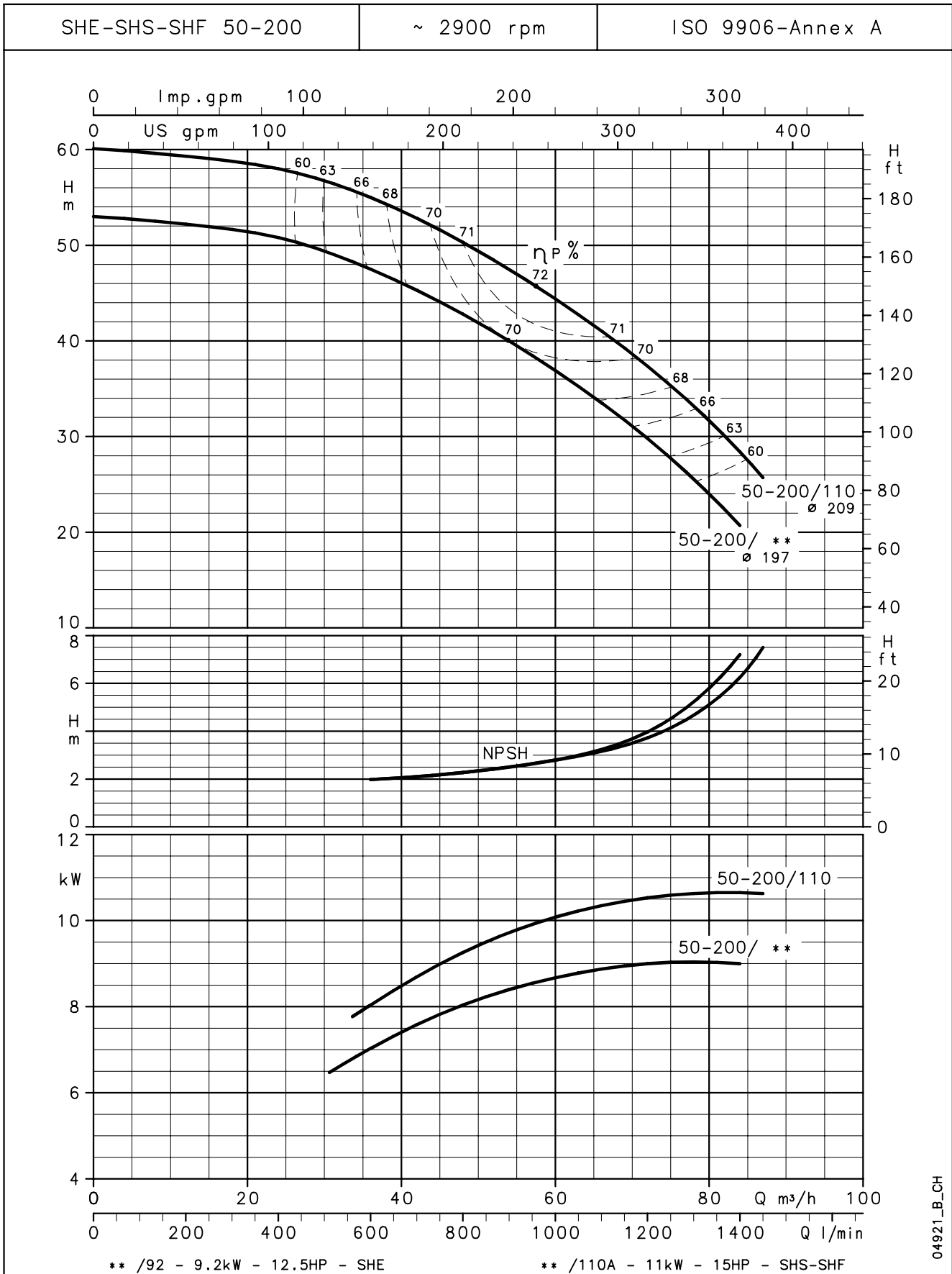
The NPSH values are laboratory values; for practical use we suggest increasing these values by 0,5 m.
These performances are valid for liquids with density $\rho = 1,0 \text{ Kg/dm}^3$ and kinematic viscosity $\nu = 1 \text{ mm}^2/\text{sec}$.



ITT

Lowara

SHE-SHS-SHF SERIES OPERATING CHARACTERISTICS AT 50 Hz, 2 POLES



04921_B_CH

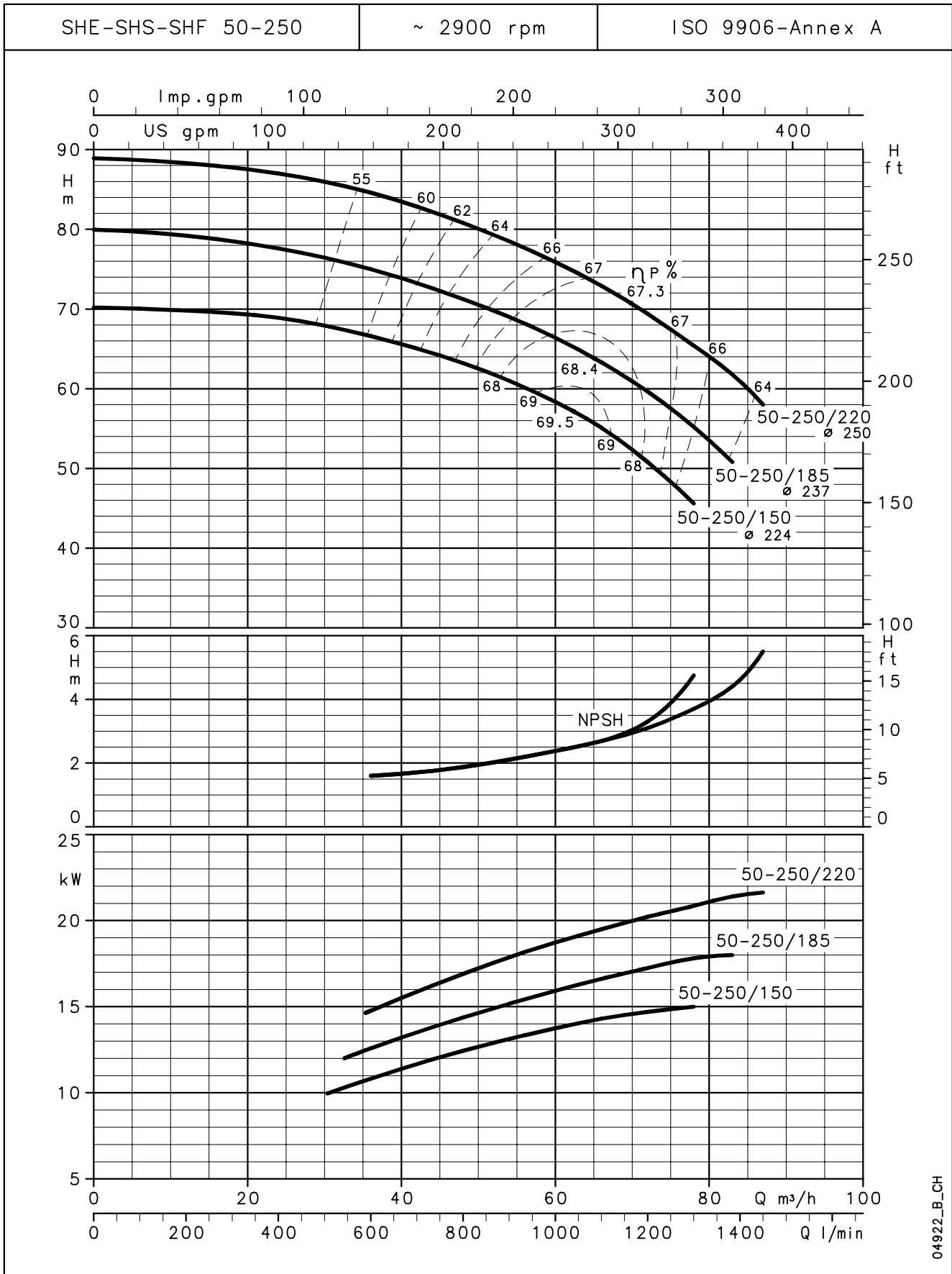
The NPSH values are laboratory values; for practical use we suggest increasing these values by 0,5 m.
 These performances are valid for liquids with density $\rho = 1,0 \text{ Kg/dm}^3$ and kinematic viscosity $\nu = 1 \text{ mm}^2/\text{sec}$.



ITT

Lowara

SHE-SHS-SHF SERIES OPERATING CHARACTERISTICS AT 50 Hz, 2 POLES



04922_B_CH

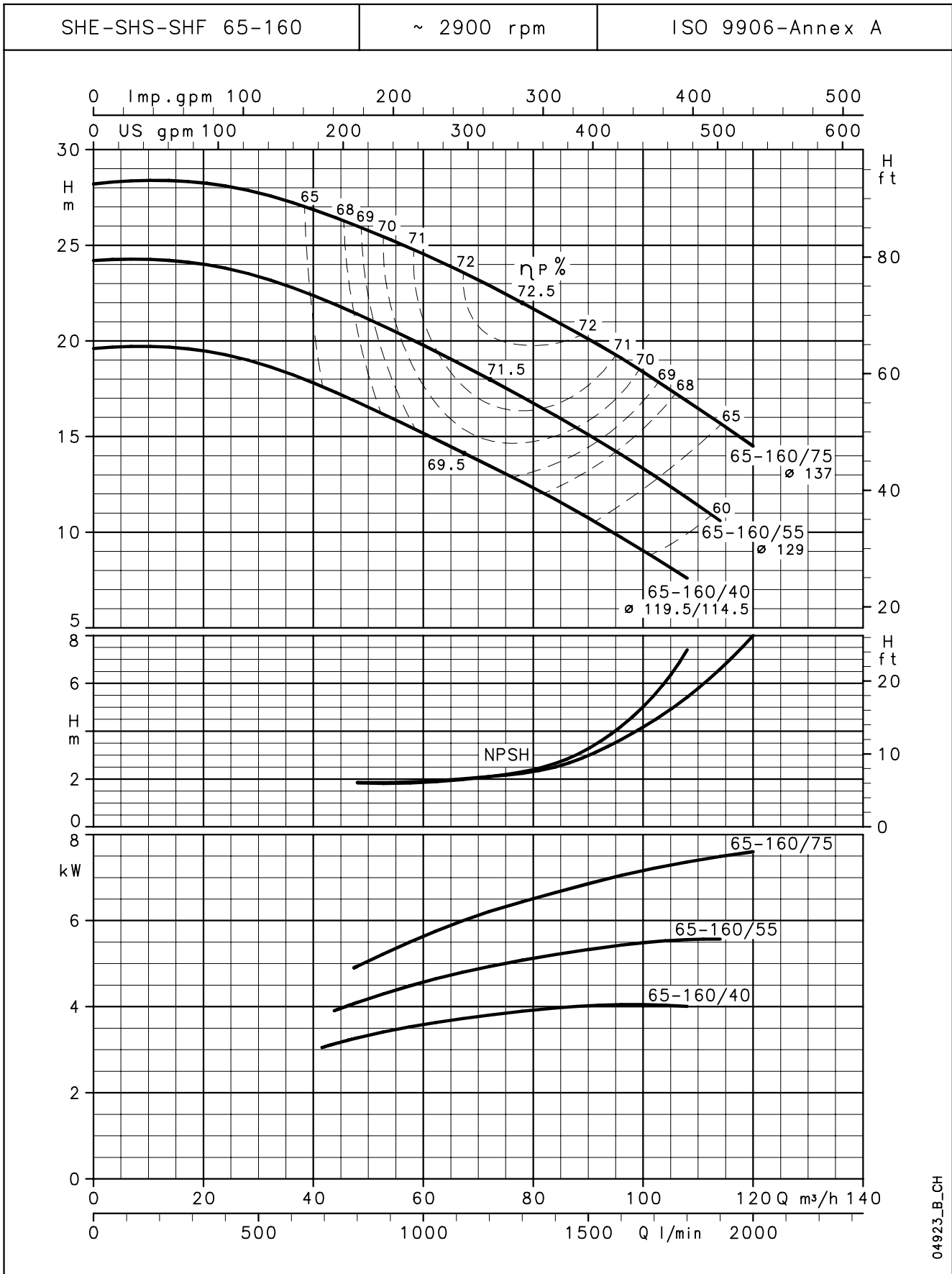
The NPSH values are laboratory values; for practical use we suggest increasing these values by 0,5 m.
These performances are valid for liquids with density $\rho = 1,0 \text{ Kg/dm}^3$ and kinematic viscosity $\nu = 1 \text{ mm}^2/\text{sec}$.



ITT

Lowara

SHE-SHS-SHF SERIES OPERATING CHARACTERISTICS AT 50 Hz, 2 POLES



04923_B_CH

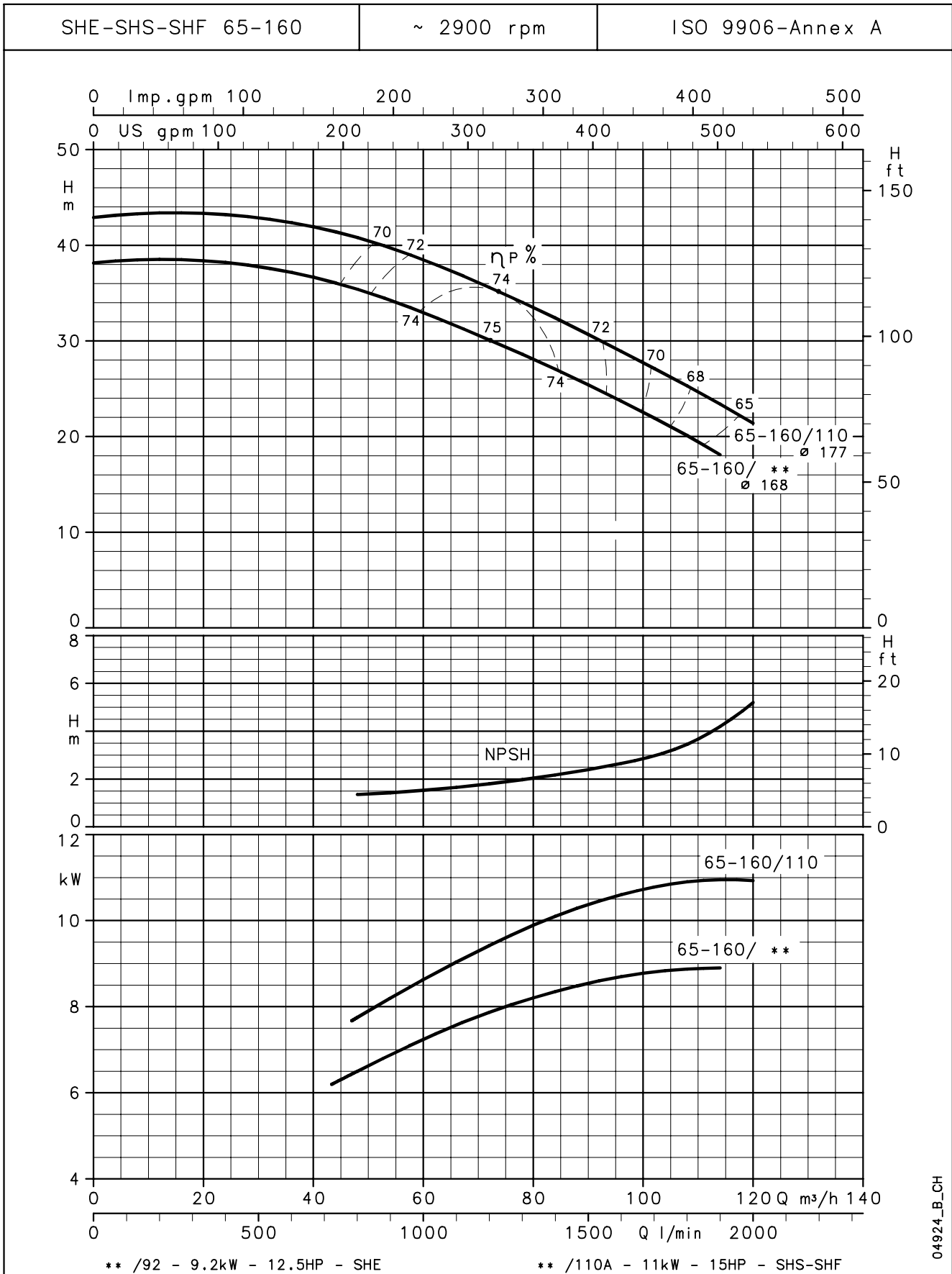
The NPSH values are laboratory values; for practical use we suggest increasing these values by 0,5 m.
These performances are valid for liquids with density $\rho = 1,0 \text{ Kg/dm}^3$ and kinematic viscosity $\nu = 1 \text{ mm}^2/\text{sec}$.



ITT

Lowara

SHE-SHS-SHF SERIES OPERATING CHARACTERISTICS AT 50 Hz, 2 POLES



04924_B_CH

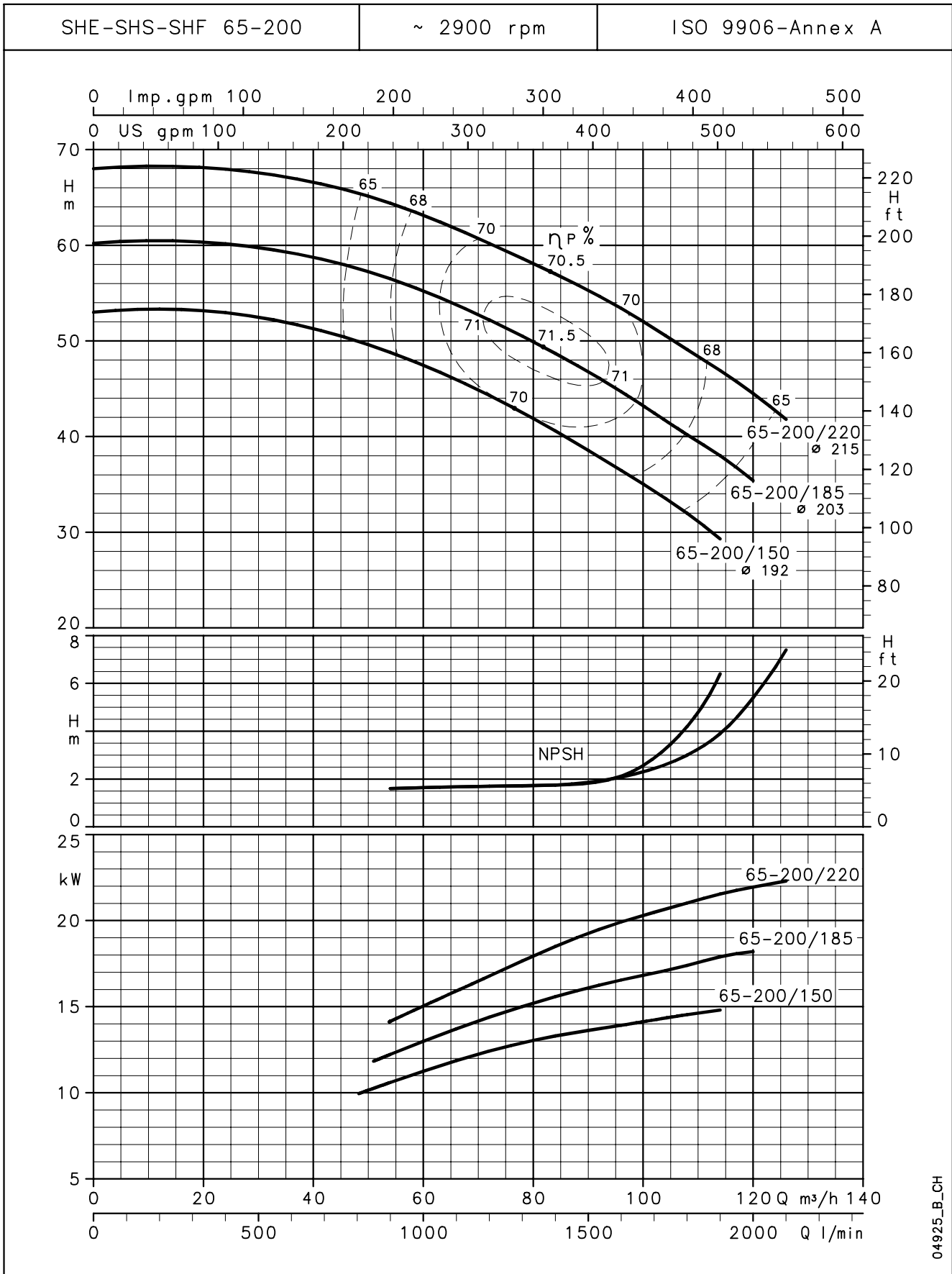
The NPSH values are laboratory values; for practical use we suggest increasing these values by 0,5 m.
 These performances are valid for liquids with density $\rho = 1,0 \text{ Kg/dm}^3$ and kinematic viscosity $\nu = 1 \text{ mm}^2/\text{sec}$.



ITT

Lowara

SHE-SHS-SHF SERIES OPERATING CHARACTERISTICS AT 50 Hz, 2 POLES



04925_B_CH

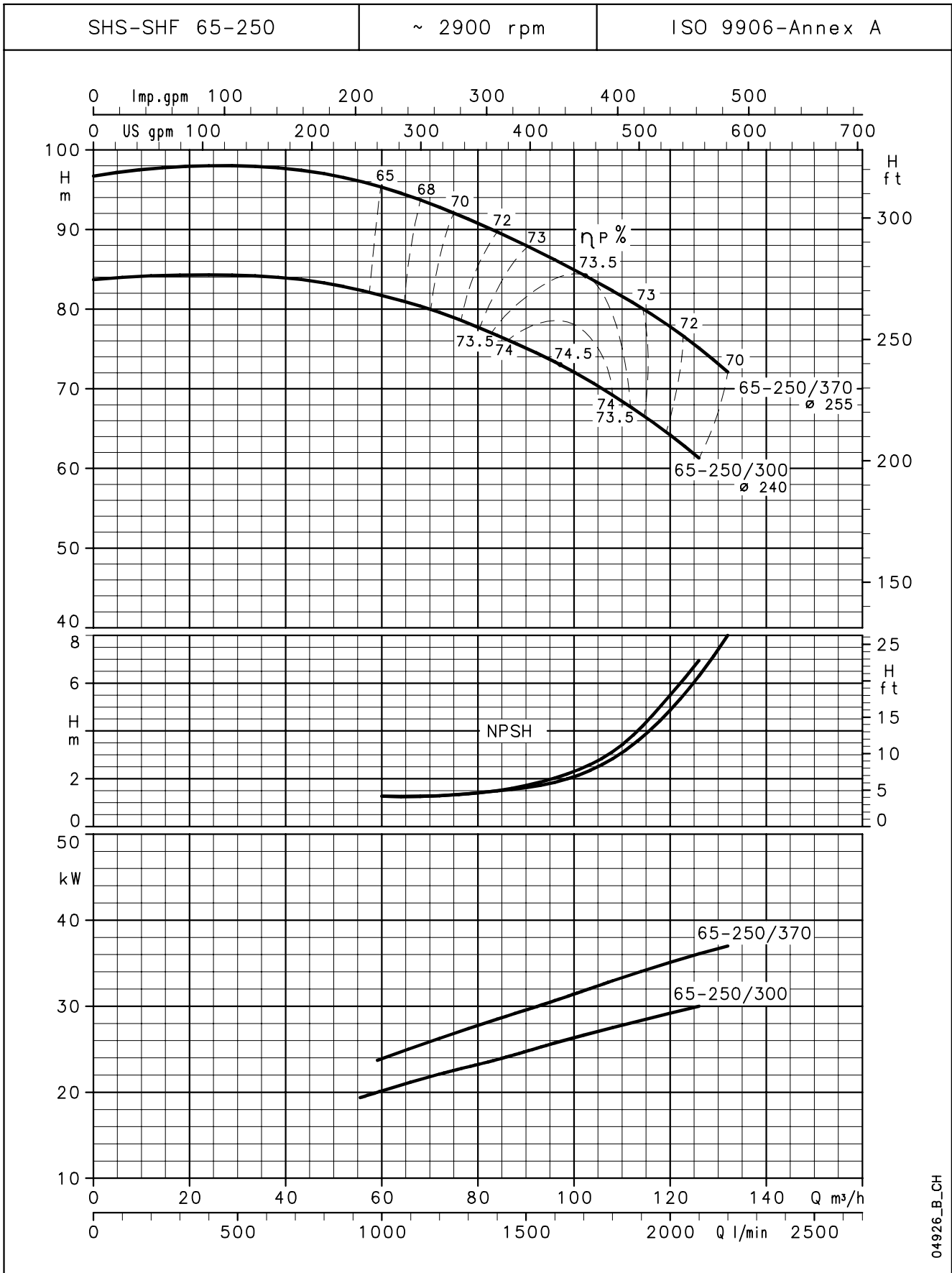
The NPSH values are laboratory values; for practical use we suggest increasing these values by 0,5 m.
These performances are valid for liquids with density $\rho = 1,0 \text{ Kg/dm}^3$ and kinematic viscosity $\nu = 1 \text{ mm}^2/\text{sec}$.



ITT

Lowara

SHS-SHF SERIES OPERATING CHARACTERISTICS AT 50 Hz, 2 POLES



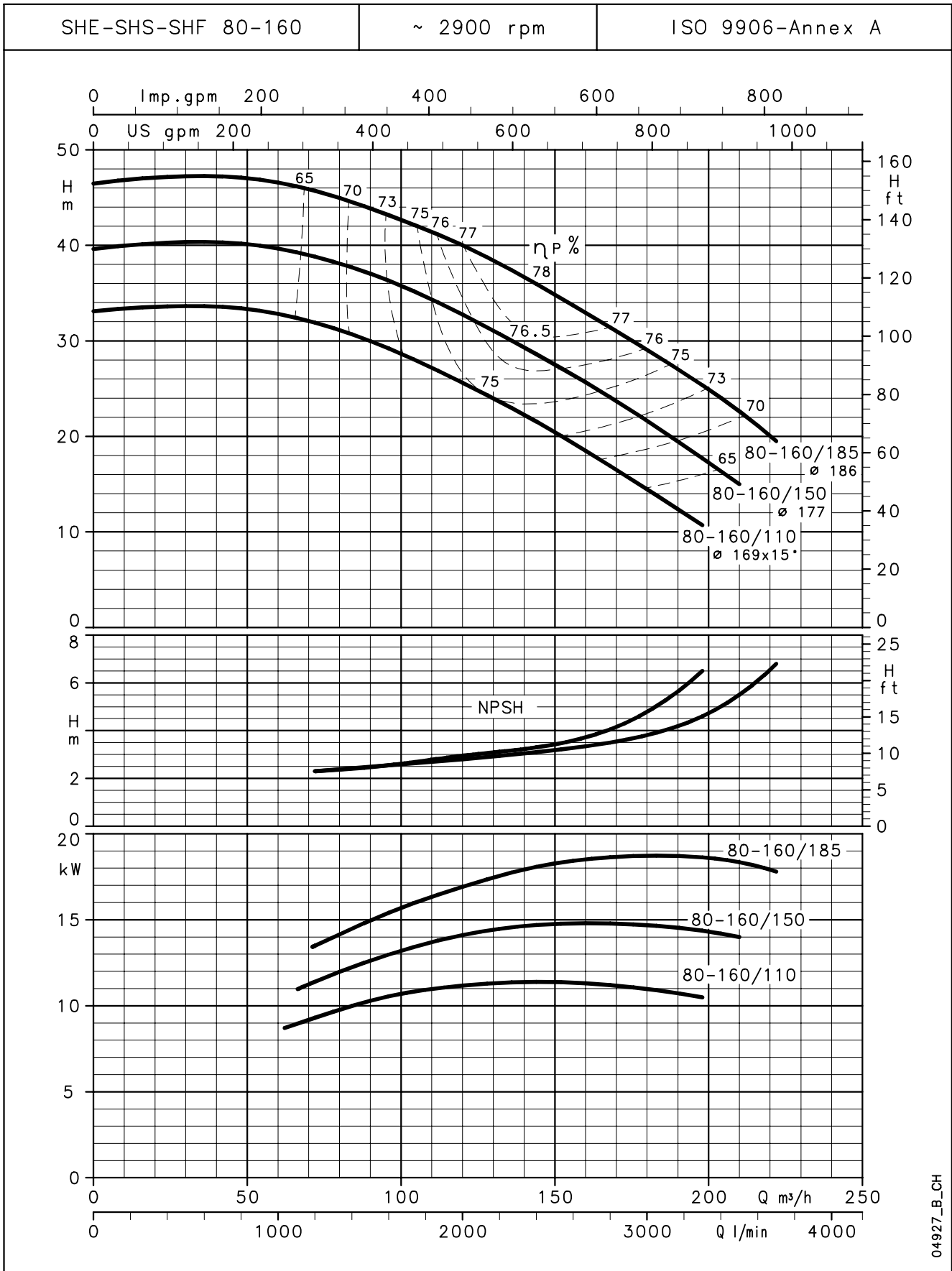
04926_B_CH



ITT

Lowara

SHE-SHS-SHF SERIES OPERATING CHARACTERISTICS AT 50 Hz, 2 POLES



04927_B_CH

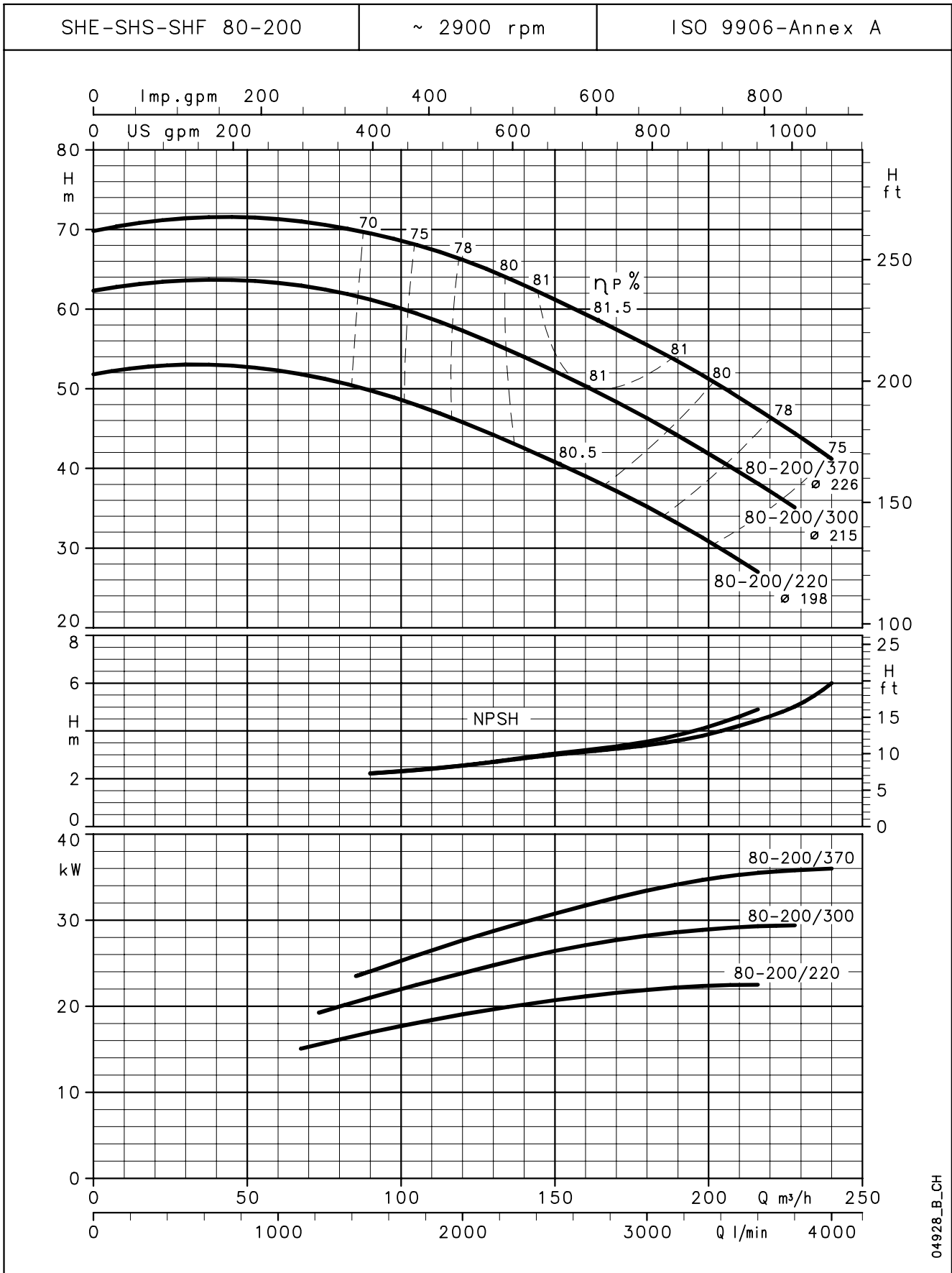
The NPSH values are laboratory values; for practical use we suggest increasing these values by 0,5 m.
These performances are valid for liquids with density $\rho = 1,0 \text{ Kg/dm}^3$ and kinematic viscosity $\nu = 1 \text{ mm}^2/\text{sec}$.



ITT

Lowara

SHE-SHS-SHF SERIES OPERATING CHARACTERISTICS AT 50 Hz, 2 POLES



04928_B_CH

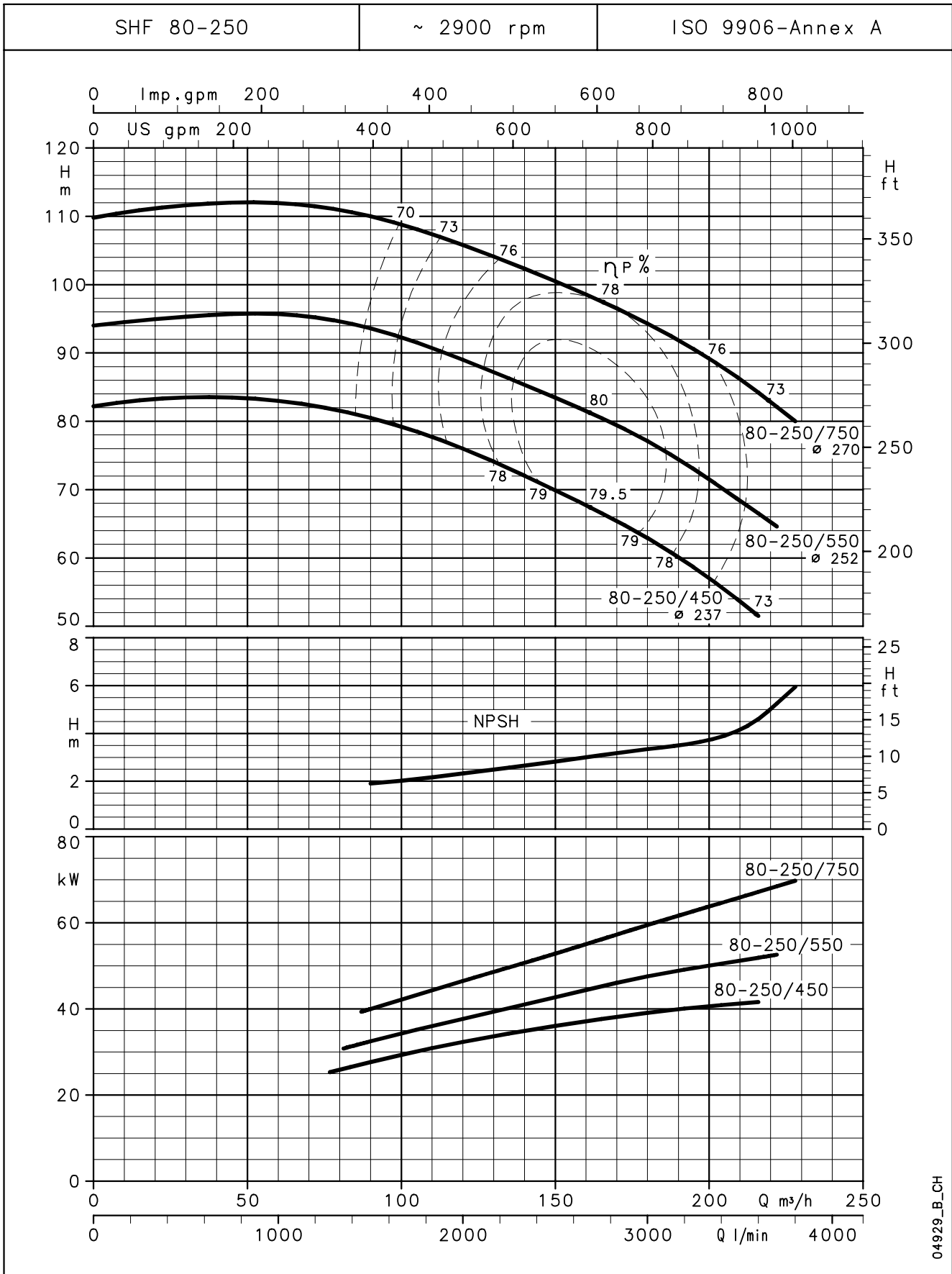
The NPSH values are laboratory values; for practical use we suggest increasing these values by 0,5 m.
These performances are valid for liquids with density $\rho = 1,0 \text{ Kg/dm}^3$ and kinematic viscosity $\nu = 1 \text{ mm}^2/\text{sec}$.



ITT

Lowara

SHF SERIES OPERATING CHARACTERISTICS AT 50 Hz, 2 POLES



04929_B_CH

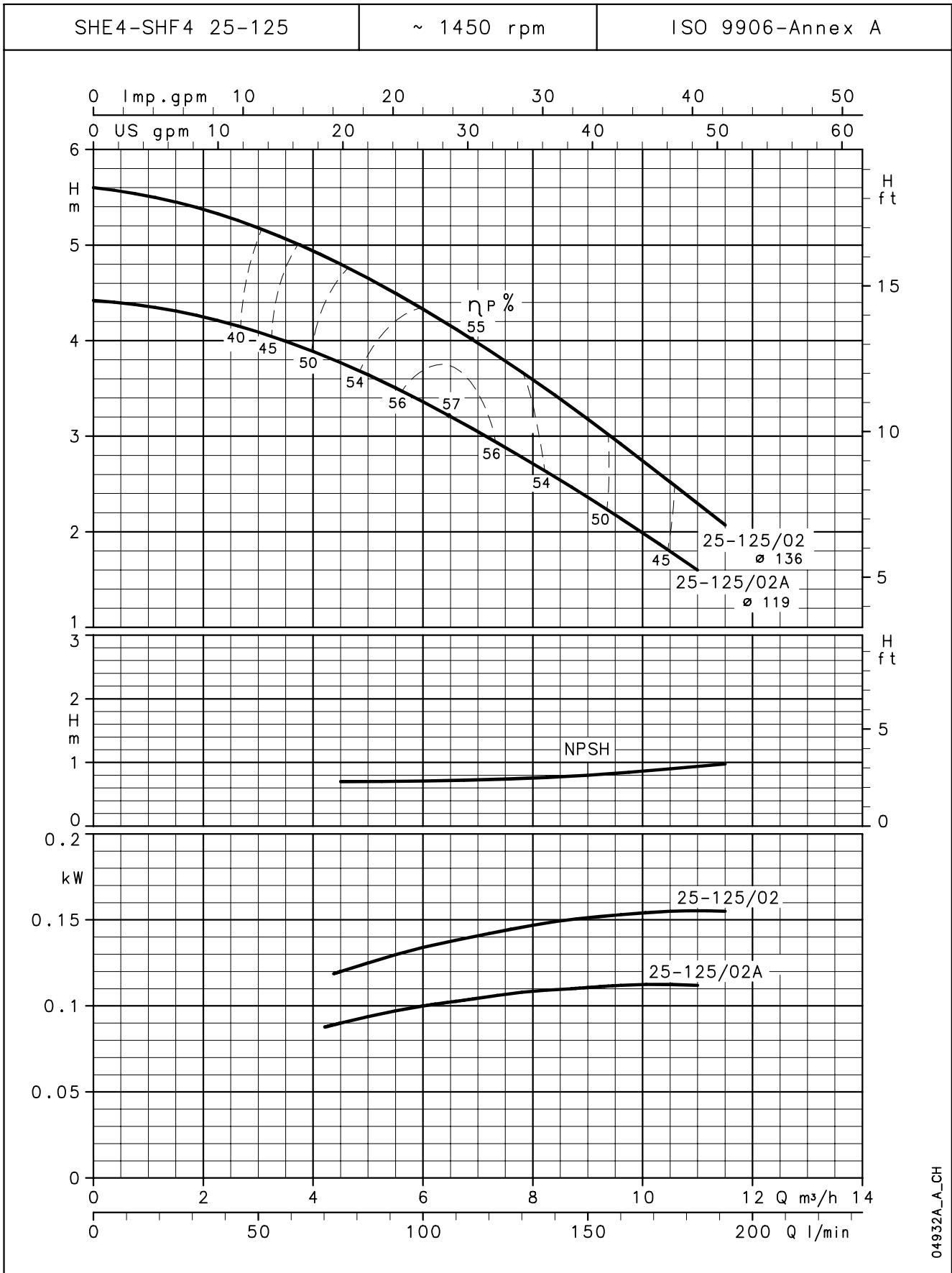
The NPSH values are laboratory values; for practical use we suggest increasing these values by 0,5 m.
These performances are valid for liquids with density $\rho = 1,0 \text{ Kg/dm}^3$ and kinematic viscosity $\nu = 1 \text{ mm}^2/\text{sec}$.



ITT

Lowara

SHE4-SHF4 SERIES OPERATING CHARACTERISTICS AT 50 Hz, 4 POLES



04932A_A_CH

The NPSH values are laboratory values; for practical use we suggest increasing these values by 0,5 m.
These performances are valid for liquids with density $\rho = 1,0 \text{ Kg/dm}^3$ and kinematic viscosity $\nu = 1 \text{ mm}^2/\text{sec}$.

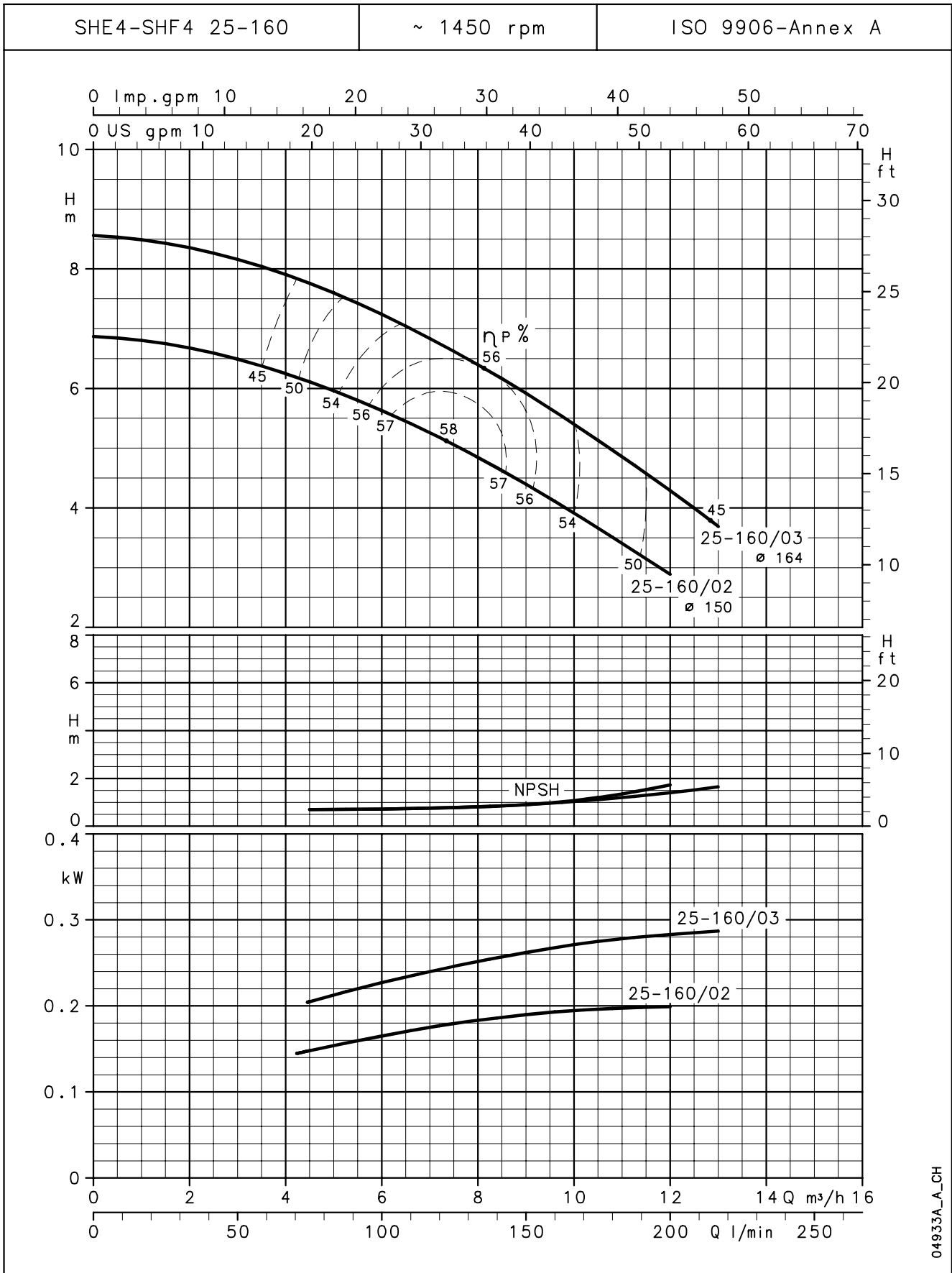


ITT

Lowara

SHE4-SHF4 SERIES

OPERATING CHARACTERISTICS AT 50 Hz, 4 POLES



04933A_A_CH

The NPSH values are laboratory values; for practical use we suggest increasing these values by 0,5 m.
These performances are valid for liquids with density ρ = 1,0 Kg/dm³ and kinematic viscosity ν = 1 mm²/sec.

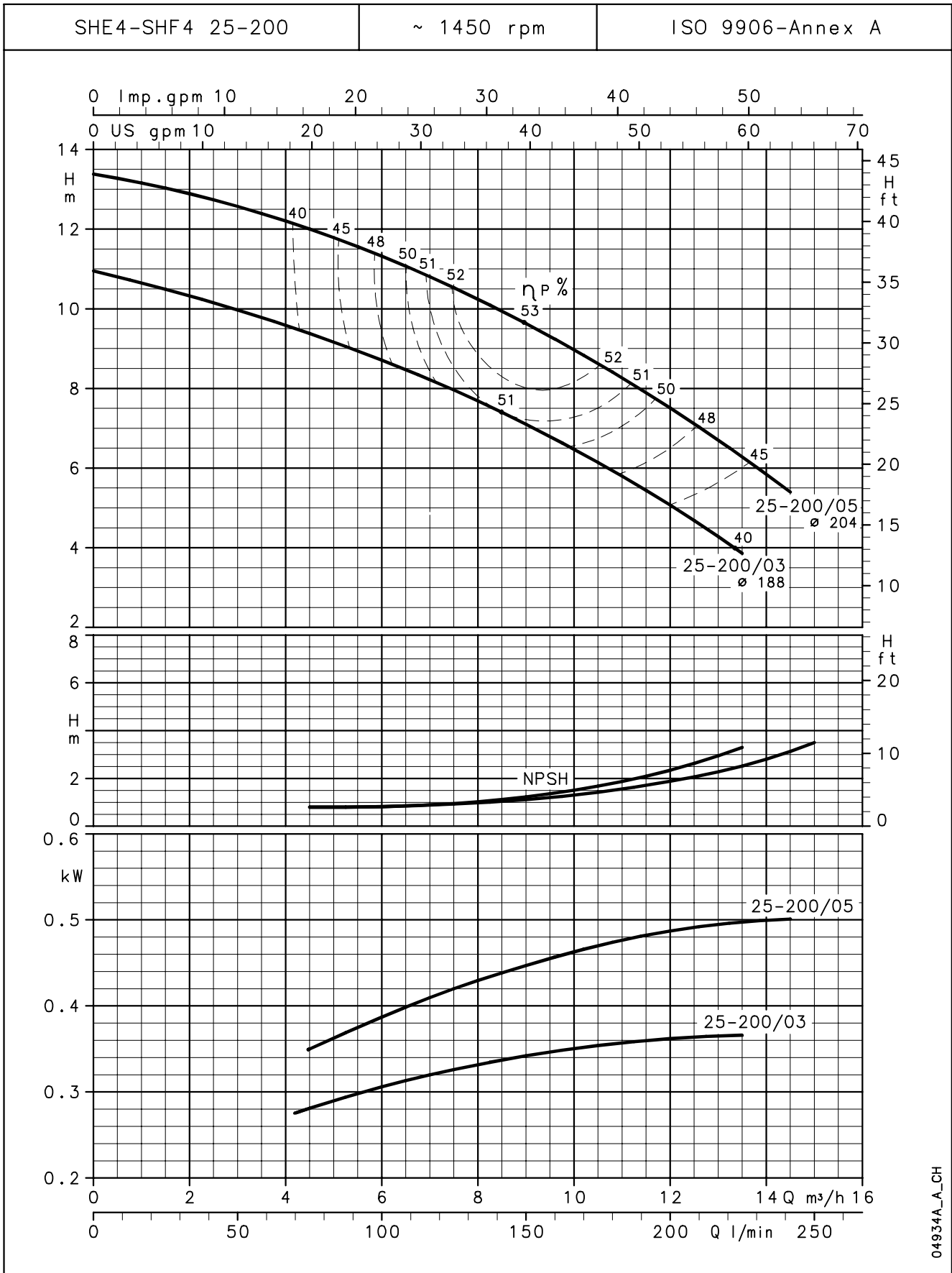


ITT

Lowara

SHE4-SHF4 SERIES

OPERATING CHARACTERISTICS AT 50 Hz, 4 POLES



04934A_A_CH

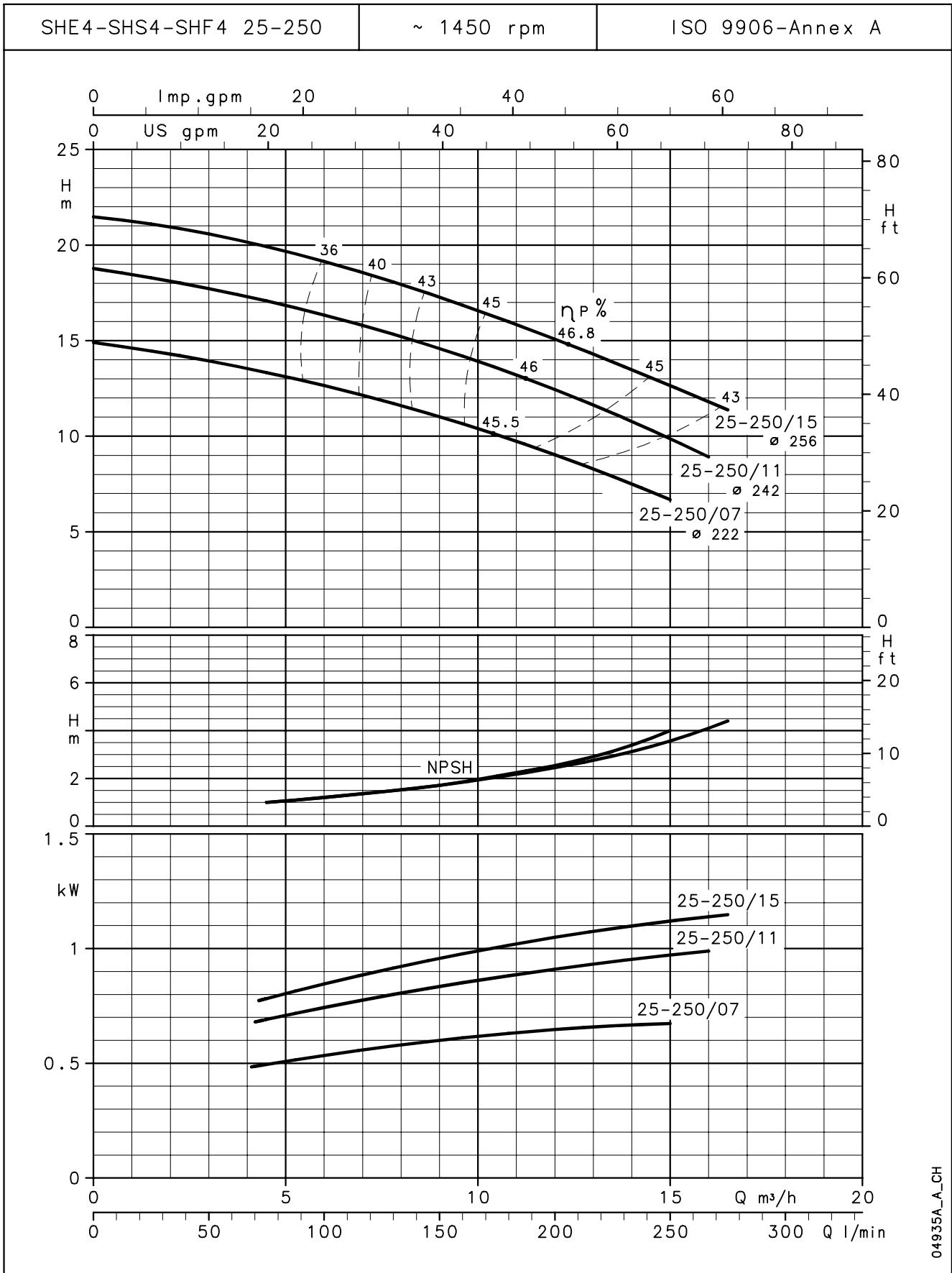
The NPSH values are laboratory values; for practical use we suggest increasing these values by 0,5 m.
These performances are valid for liquids with density $\rho = 1,0 \text{ Kg/dm}^3$ and kinematic viscosity $\nu = 1 \text{ mm}^2/\text{sec}$.



ITT

Lowara

SHE4-SHS4-SHF4 SERIES OPERATING CHARACTERISTICS AT 50 Hz, 4 POLES



04935A_A_CH

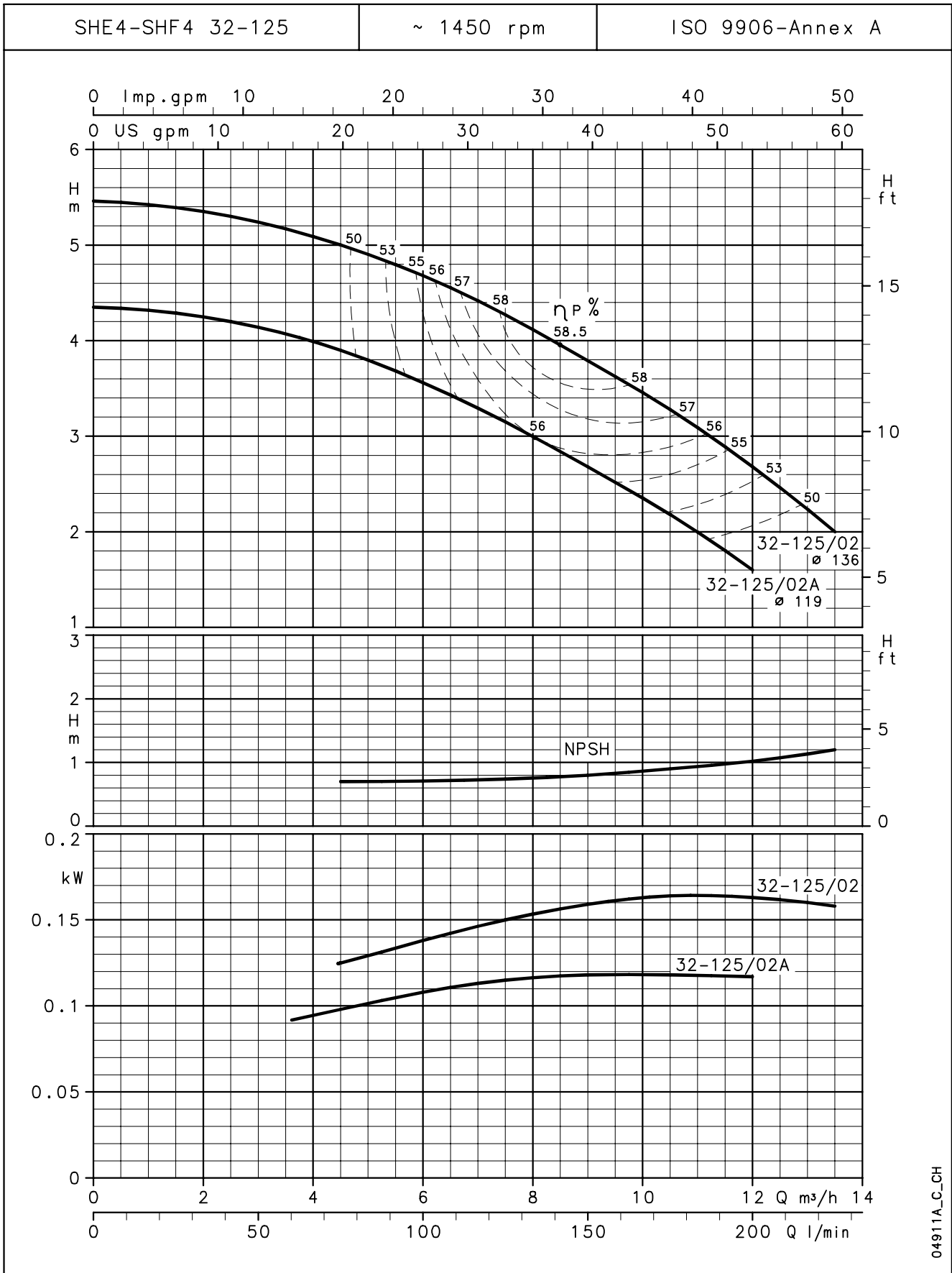
The NPSH values are laboratory values; for practical use we suggest increasing these values by 0,5 m.
These performances are valid for liquids with density ρ = 1,0 Kg/dm³ and kinematic viscosity ν = 1 mm²/sec.



ITT

Lowara

SHE4-SHF4 SERIES OPERATING CHARACTERISTICS AT 50 Hz, 4 POLES



04911A_C_CH

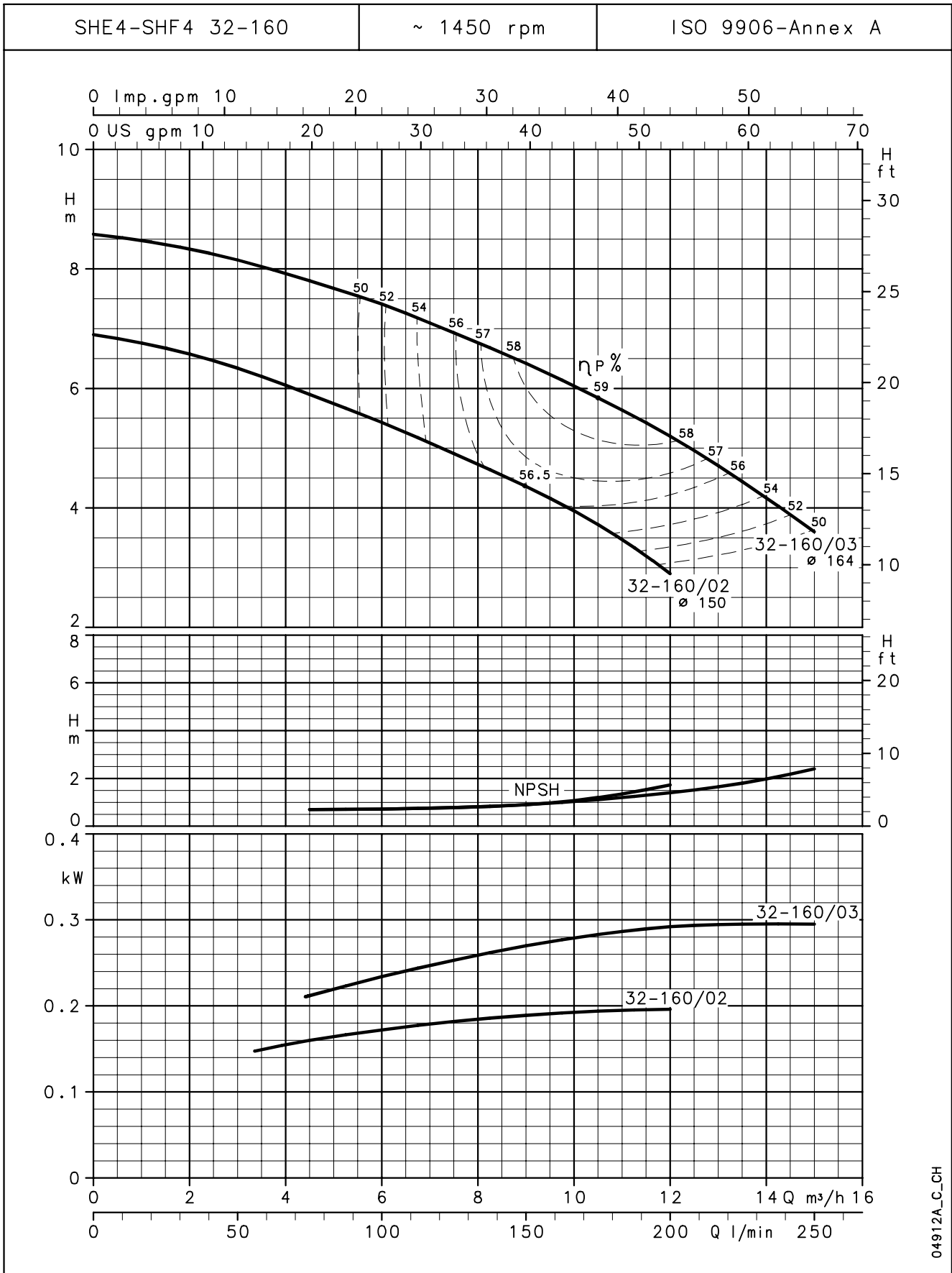
The NPSH values are laboratory values; for practical use we suggest increasing these values by 0,5 m.
These performances are valid for liquids with density $\rho = 1,0 \text{ Kg/dm}^3$ and kinematic viscosity $\nu = 1 \text{ mm}^2/\text{sec}$.



ITT

Lowara

SHE4-SHF4 SERIES OPERATING CHARACTERISTICS AT 50 Hz, 4 POLES



04912A_C_CH

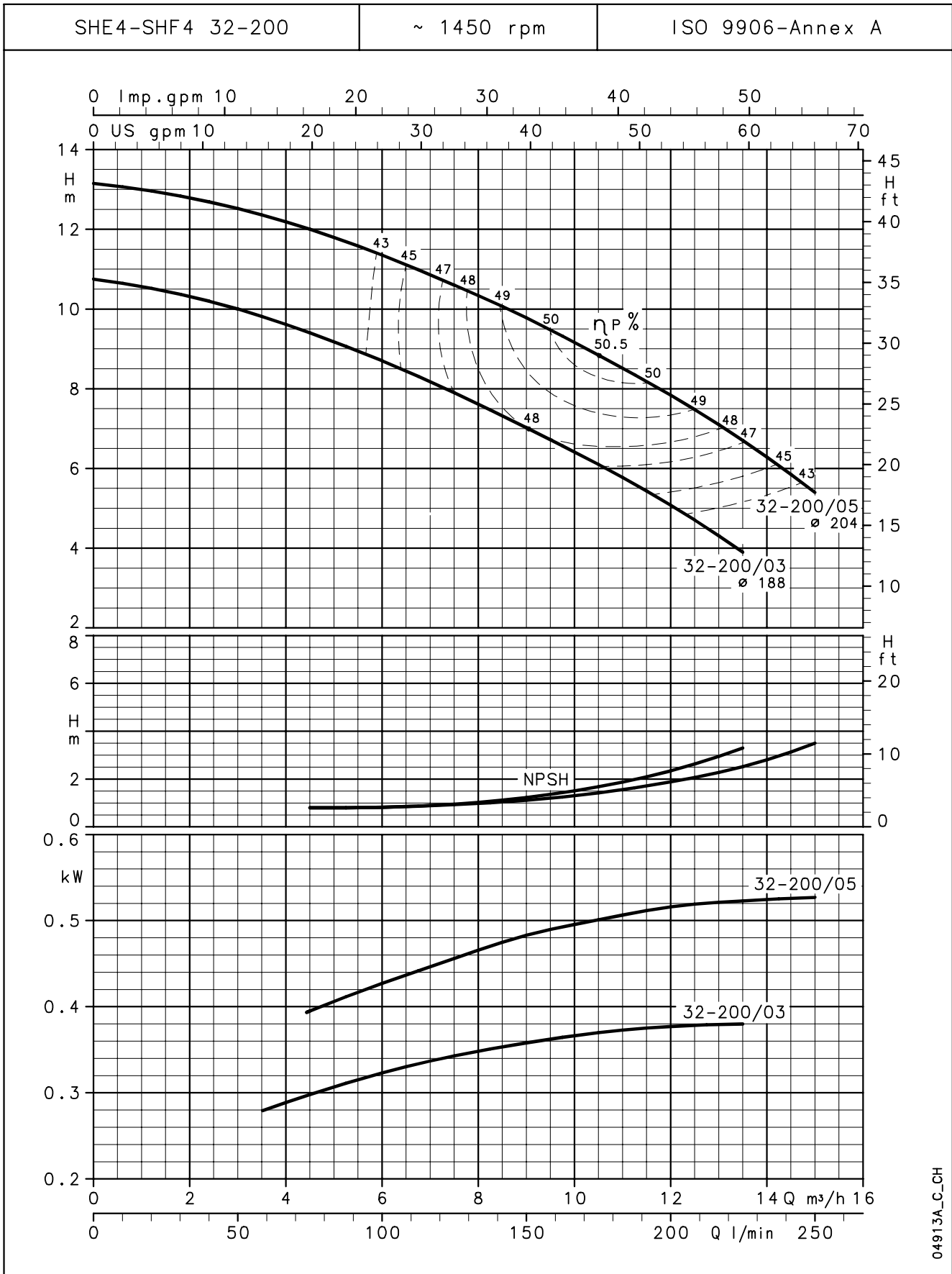
The NPSH values are laboratory values; for practical use we suggest increasing these values by 0,5 m.
These performances are valid for liquids with density $\rho = 1,0 \text{ Kg/dm}^3$ and kinematic viscosity $\nu = 1 \text{ mm}^2/\text{sec}$.



ITT

Lowara

SHE4-SHF4 SERIES OPERATING CHARACTERISTICS AT 50 Hz, 4 POLES



04913A_C_CH

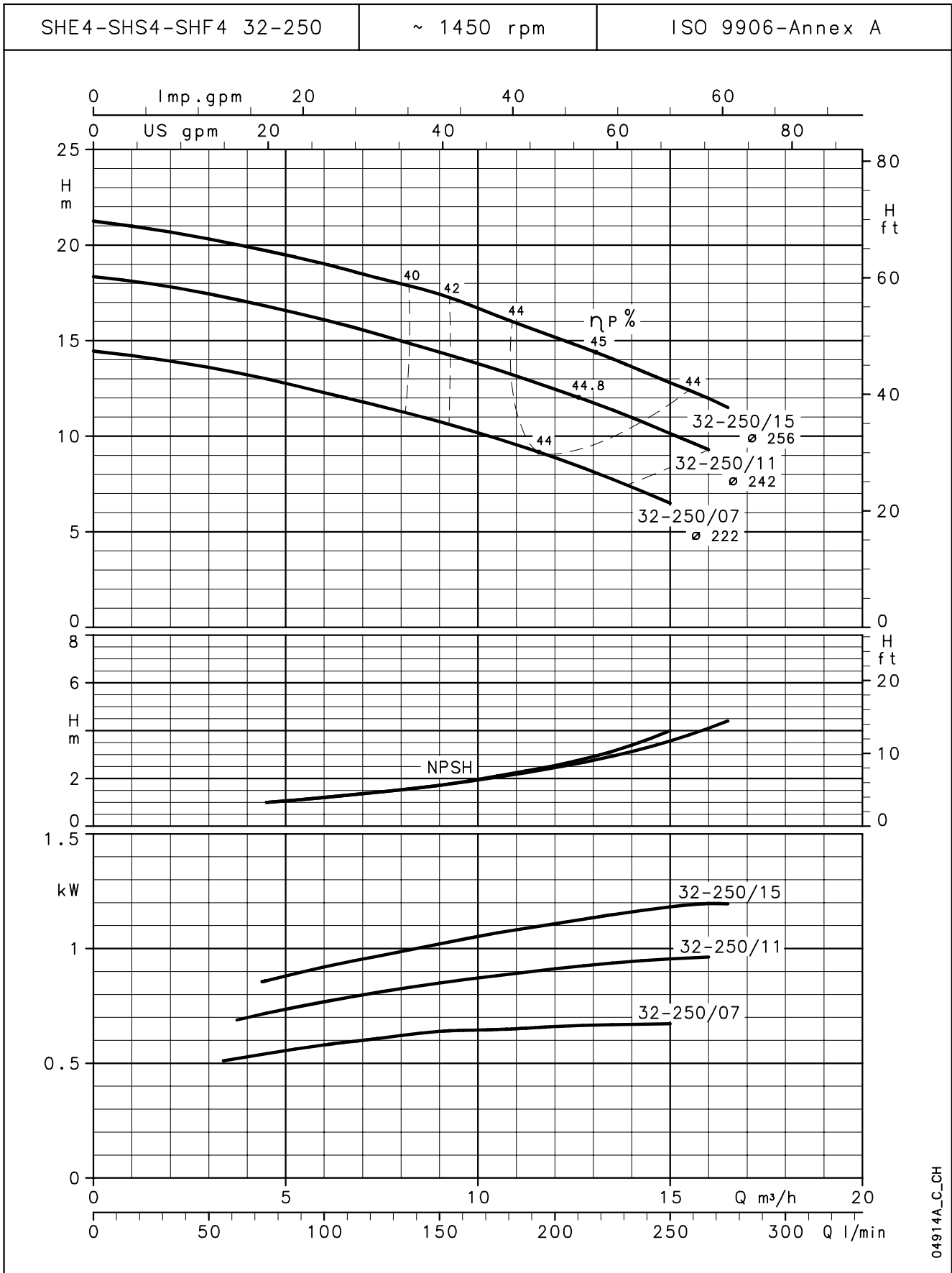
The NPSH values are laboratory values; for practical use we suggest increasing these values by 0,5 m.
These performances are valid for liquids with density $\rho = 1,0 \text{ Kg/dm}^3$ and kinematic viscosity $\nu = 1 \text{ mm}^2/\text{sec}$.



ITT

Lowara

SHE4-SHS4-SHF4 SERIES OPERATING CHARACTERISTICS AT 50 Hz, 4 POLES



04914A_C-CH

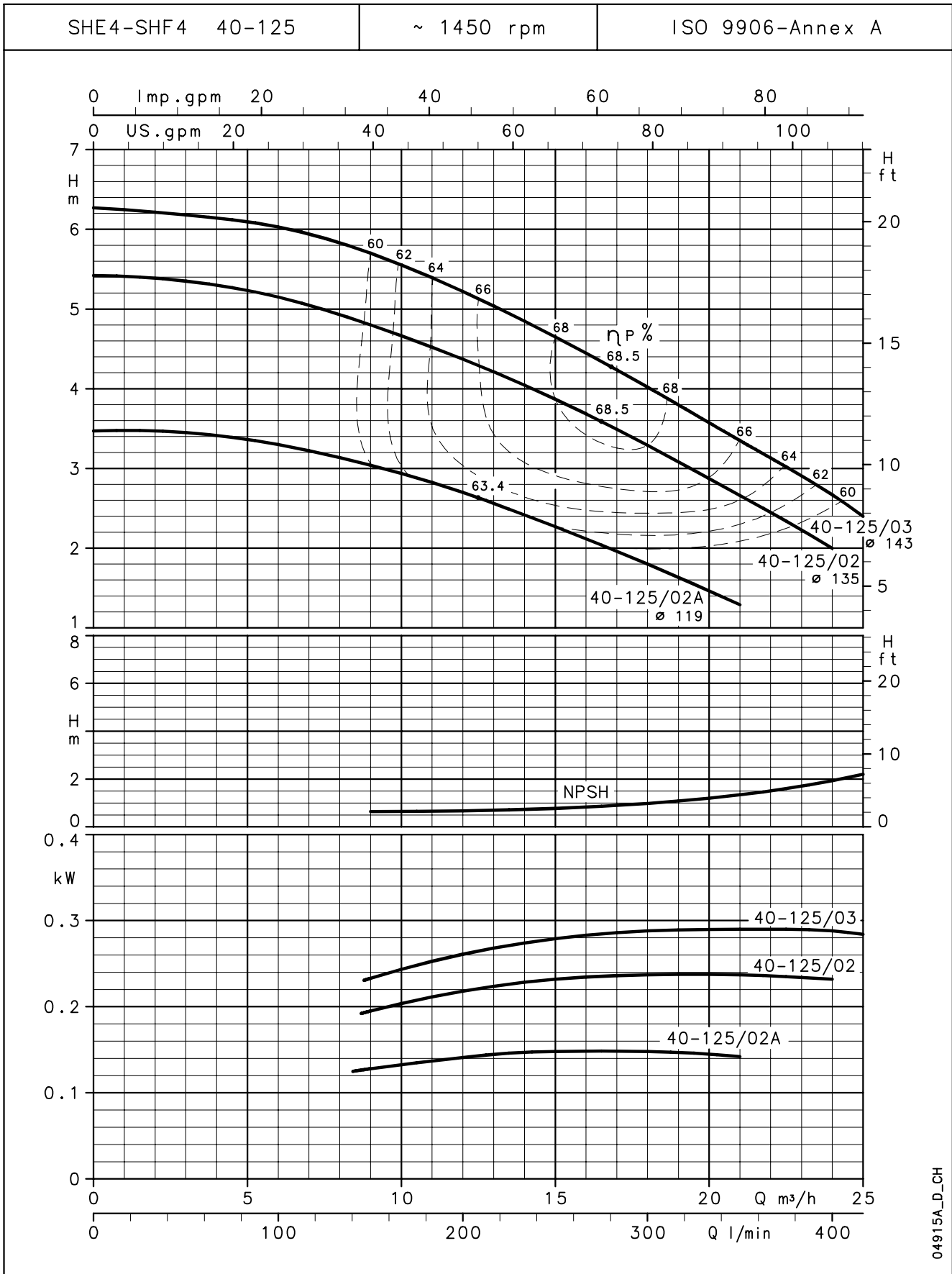
The NPSH values are laboratory values; for practical use we suggest increasing these values by 0,5 m.
These performances are valid for liquids with density $\rho = 1,0 \text{ Kg/dm}^3$ and kinematic viscosity $\nu = 1 \text{ mm}^2/\text{sec}$.



ITT

Lowara

SHE4-SHF4 SERIES OPERATING CHARACTERISTICS AT 50 Hz, 4 POLES



04915A_D_CH

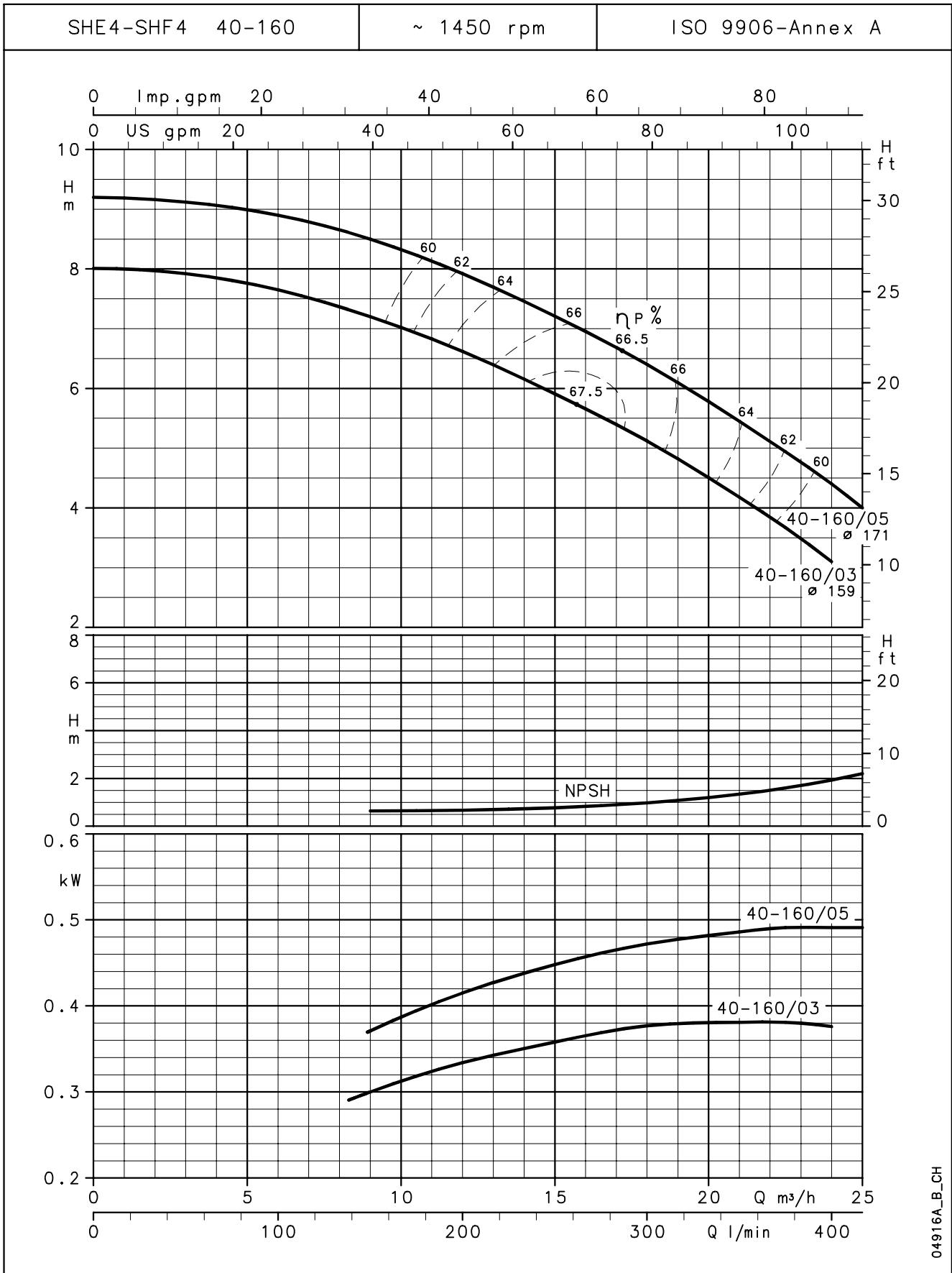
The NPSH values are laboratory values; for practical use we suggest increasing these values by 0,5 m.
These performances are valid for liquids with density $\rho = 1,0 \text{ Kg/dm}^3$ and kinematic viscosity $\nu = 1 \text{ mm}^2/\text{sec}$.



ITT

Lowara

SHE4-SHF4 SERIES OPERATING CHARACTERISTICS AT 50 Hz, 4 POLES



04916A_B_CH

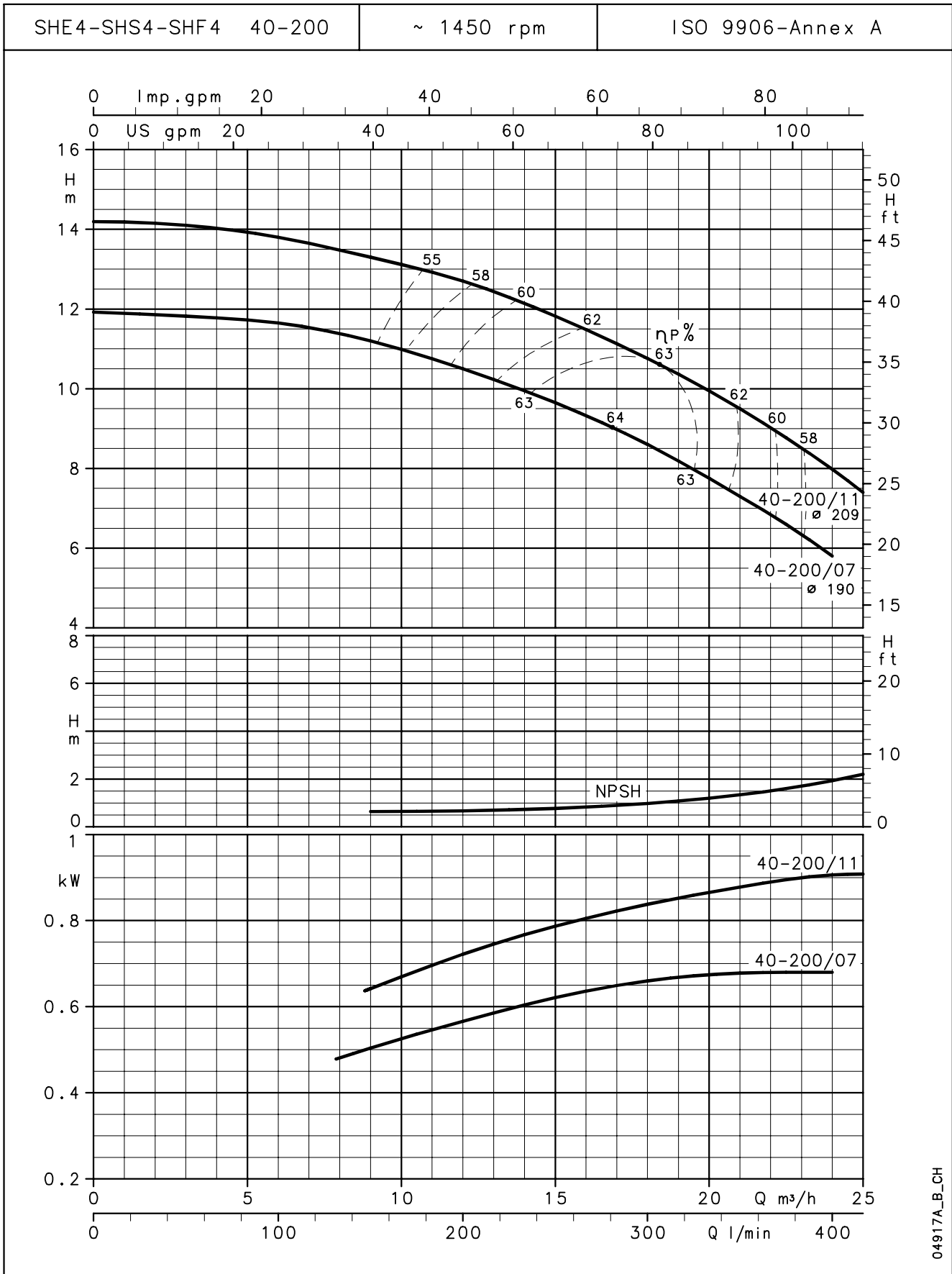
The NPSH values are laboratory values; for practical use we suggest increasing these values by 0,5 m.
These performances are valid for liquids with density $\rho = 1,0 \text{ Kg/dm}^3$ and kinematic viscosity $\nu = 1 \text{ mm}^2/\text{sec}$.



ITT

Lowara

SHE4-SHS4-SHF4 SERIES OPERATING CHARACTERISTICS AT 50 Hz, 4 POLES



04917A_B_CH

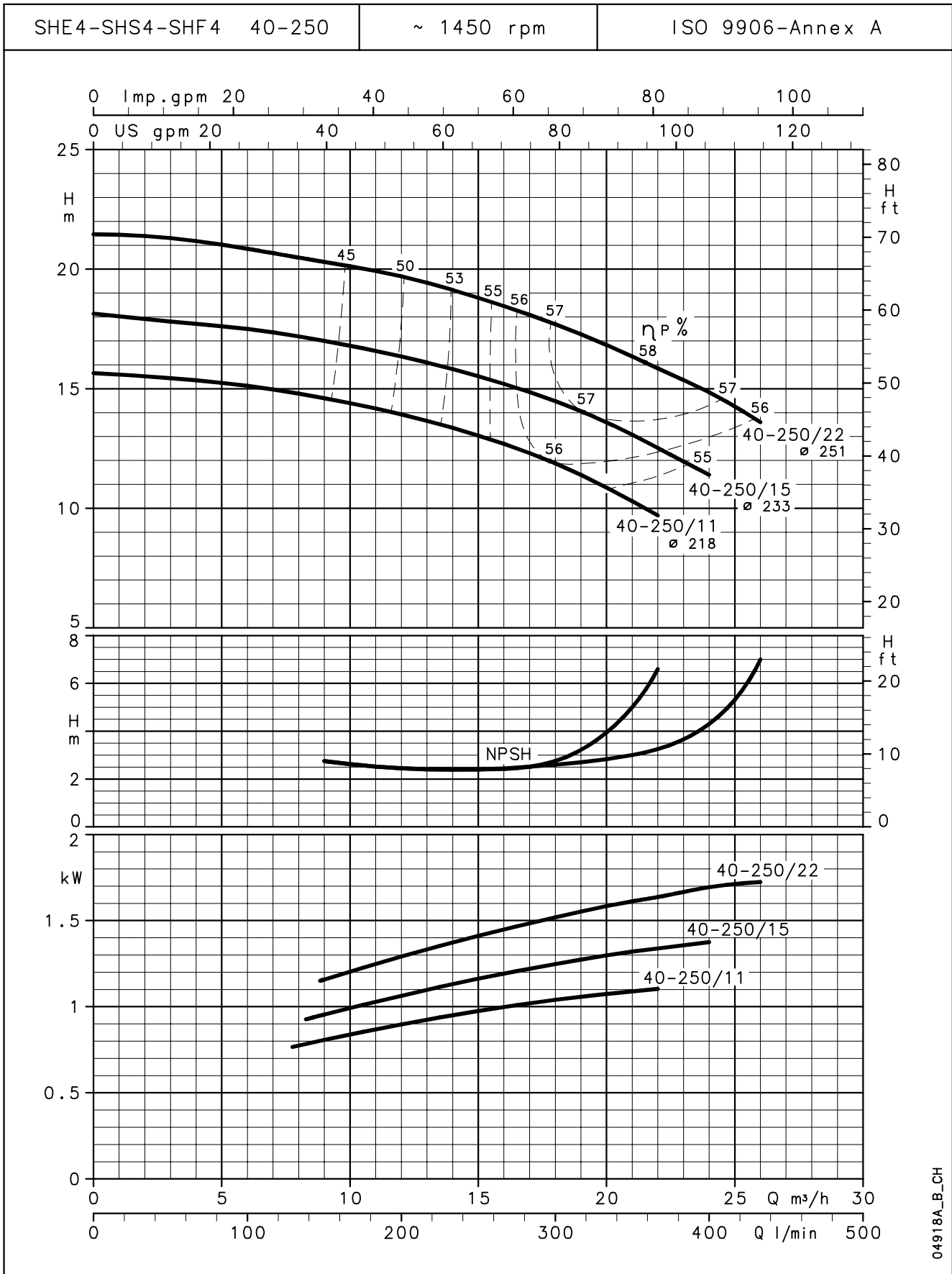
The NPSH values are laboratory values; for practical use we suggest increasing these values by 0,5 m.
These performances are valid for liquids with density $\rho = 1,0 \text{ Kg/dm}^3$ and kinematic viscosity $\nu = 1 \text{ mm}^2/\text{sec}$.



ITT

Lowara

SHE4-SHS4-SHF4 SERIES OPERATING CHARACTERISTICS AT 50 Hz, 4 POLES



04918A_B_CH

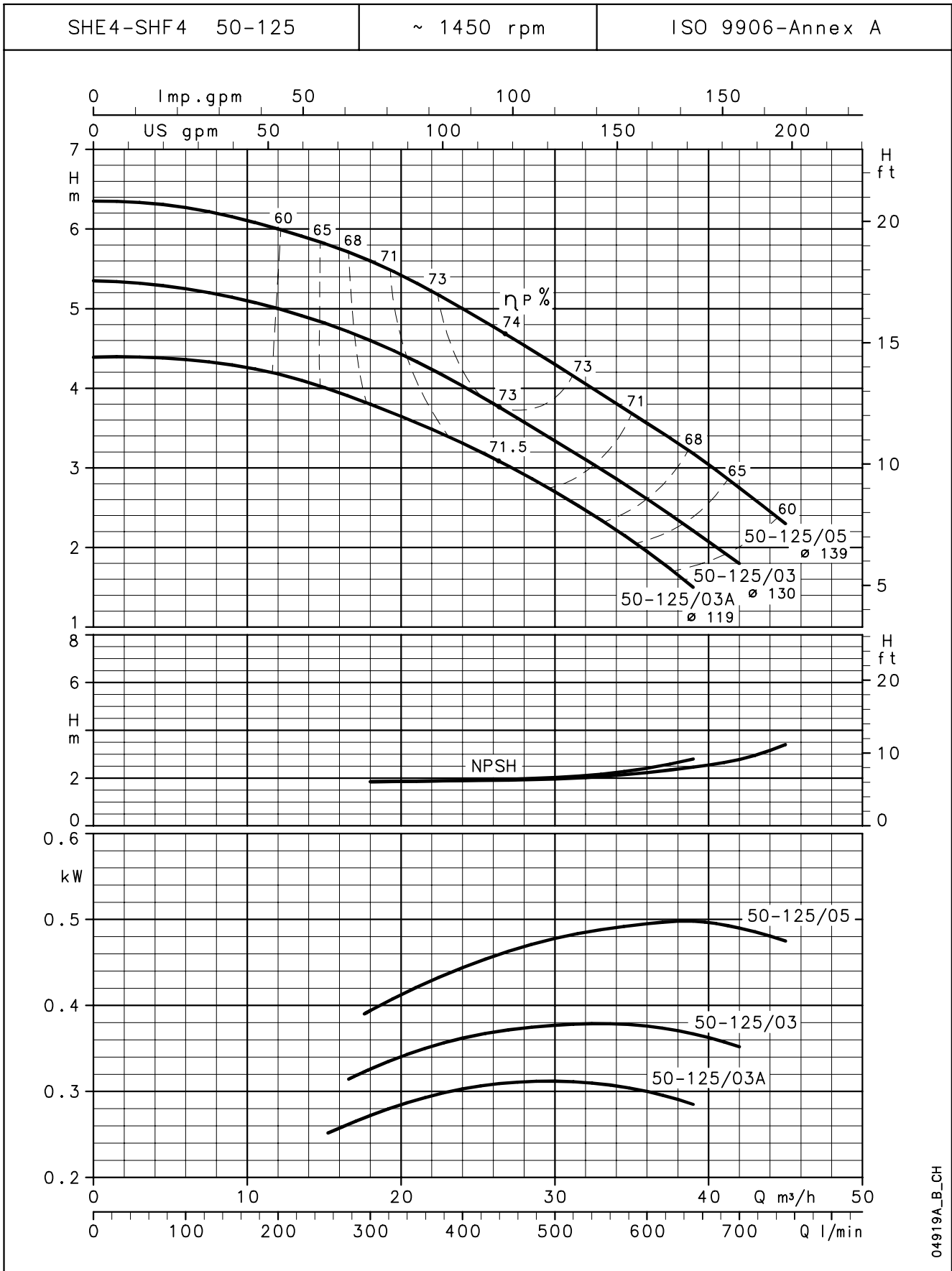
The NPSH values are laboratory values; for practical use we suggest increasing these values by 0,5 m.
These performances are valid for liquids with density $\rho = 1,0 \text{ Kg/dm}^3$ and kinematic viscosity $\nu = 1 \text{ mm}^2/\text{sec}$.



ITT

Lowara

SHE4-SHF4 SERIES OPERATING CHARACTERISTICS AT 50 Hz, 4 POLES



04919A_B_CH

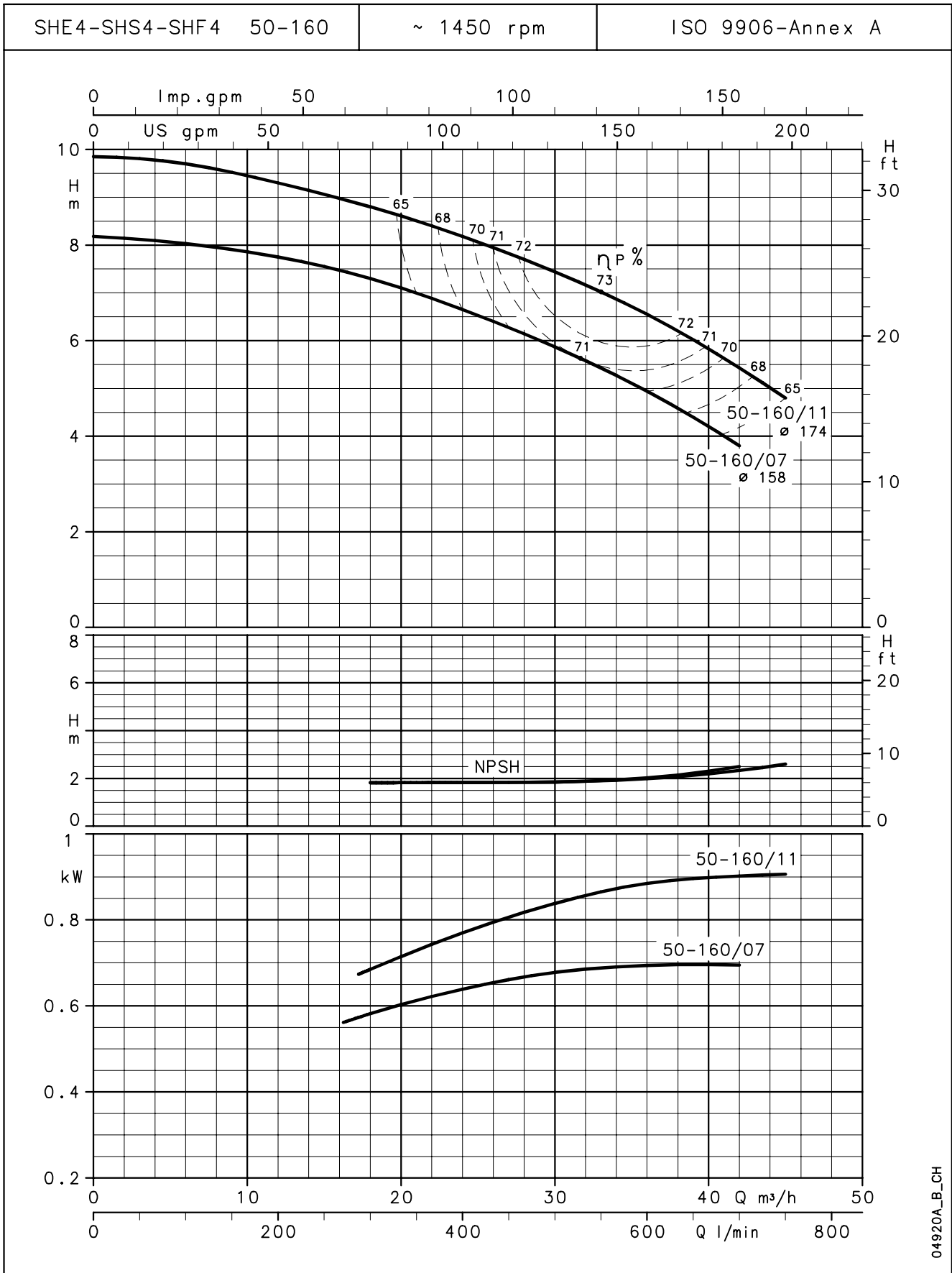
The NPSH values are laboratory values; for practical use we suggest increasing these values by 0,5 m.
These performances are valid for liquids with density $\rho = 1,0 \text{ Kg/dm}^3$ and kinematic viscosity $\nu = 1 \text{ mm}^2/\text{sec}$.



ITT

Lowara

SHE4-SHS4-SHF4 SERIES OPERATING CHARACTERISTICS AT 50 Hz, 4 POLES



04920A_B_CH

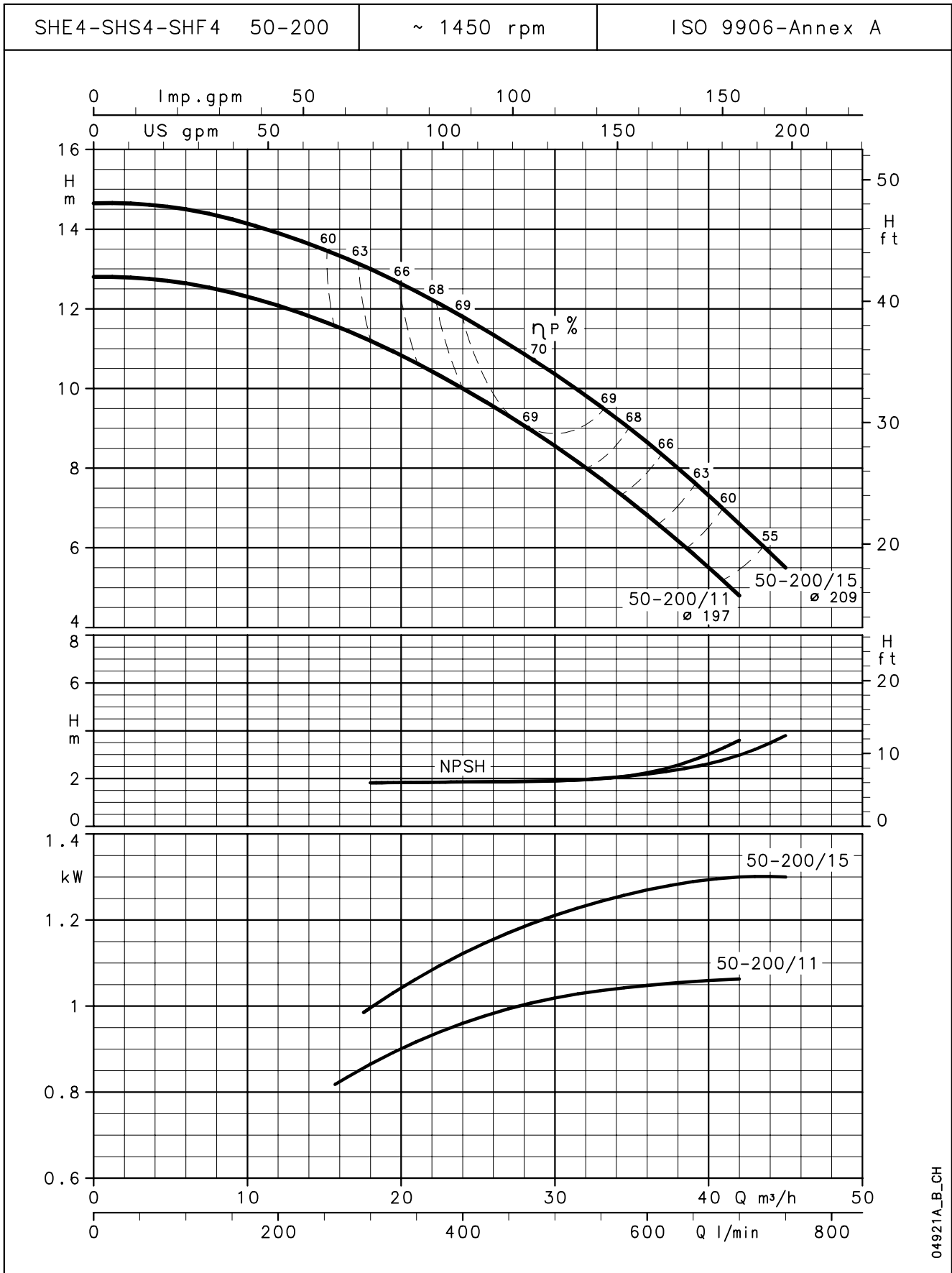
The NPSH values are laboratory values; for practical use we suggest increasing these values by 0,5 m.
These performances are valid for liquids with density $\rho = 1,0 \text{ Kg/dm}^3$ and kinematic viscosity $\nu = 1 \text{ mm}^2/\text{sec}$.



ITT

Lowara

SHE4-SHS4-SHF4 SERIES OPERATING CHARACTERISTICS AT 50 Hz, 4 POLES



04921A_B_CH

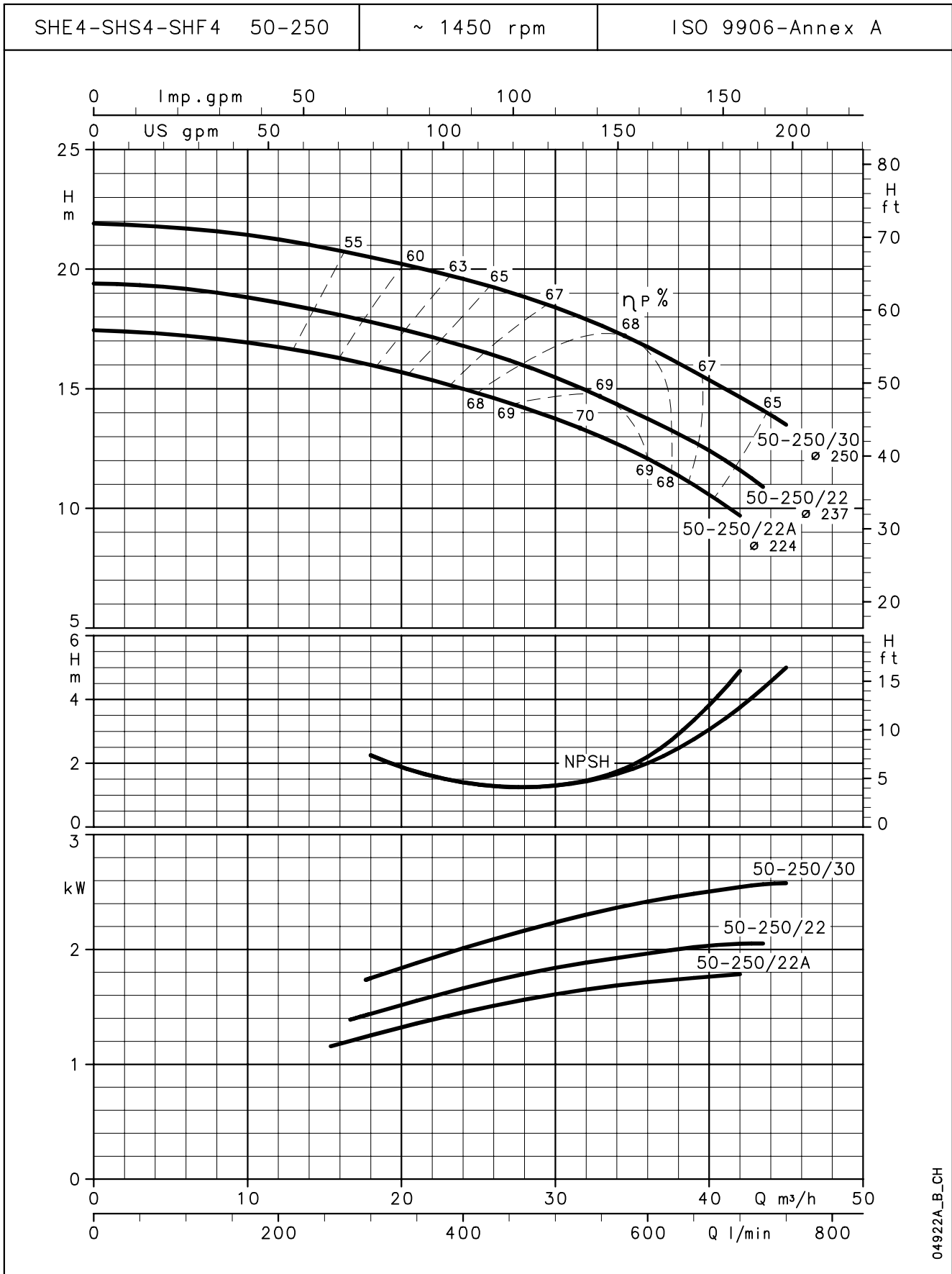
The NPSH values are laboratory values; for practical use we suggest increasing these values by 0,5 m.
These performances are valid for liquids with density $\rho = 1,0 \text{ Kg/dm}^3$ and kinematic viscosity $\nu = 1 \text{ mm}^2/\text{sec}$.



ITT

Lowara

SHE4-SHS4-SHF4 SERIES OPERATING CHARACTERISTICS AT 50 Hz, 4 POLES



04922A_B_CH

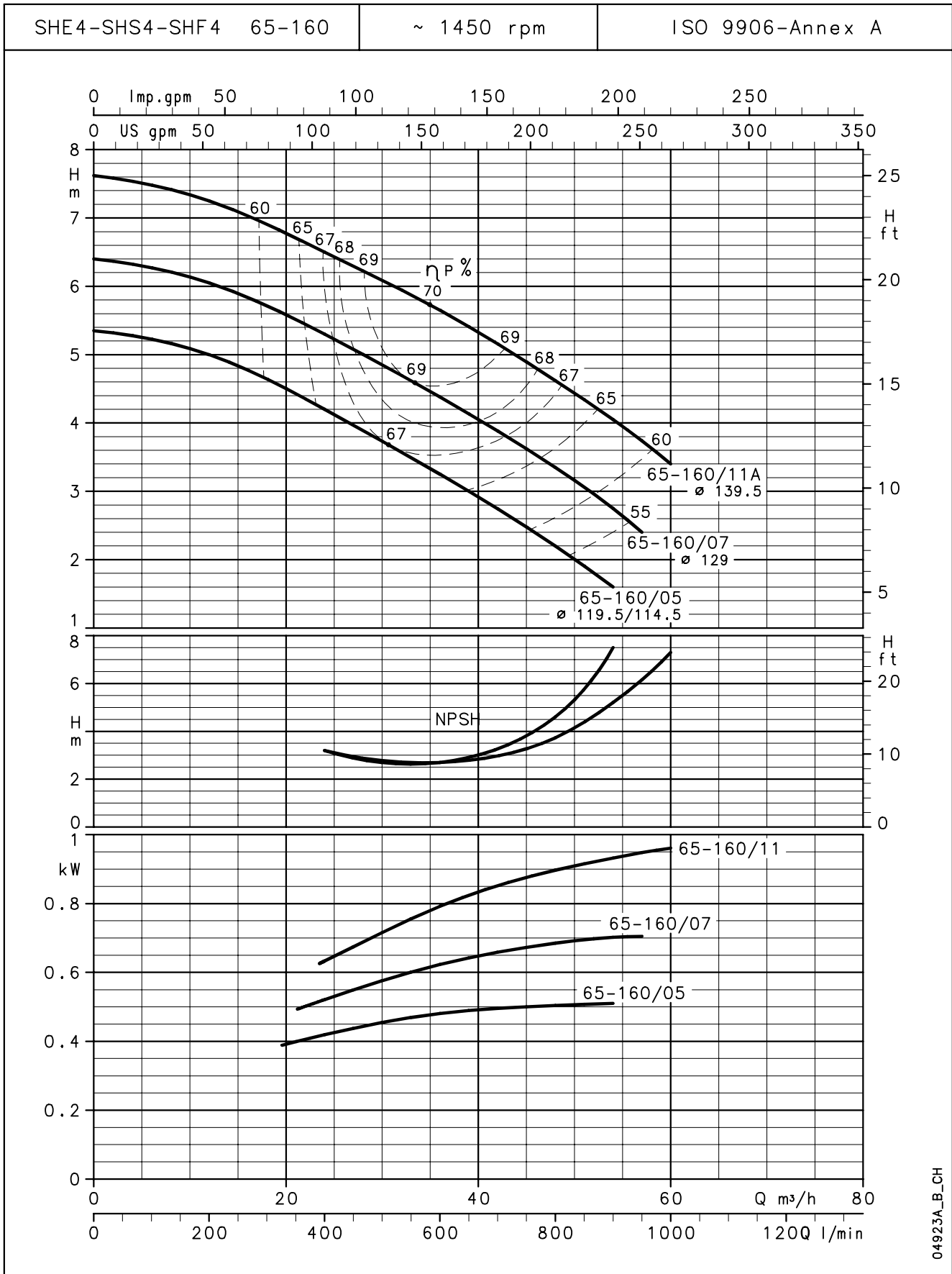
The NPSH values are laboratory values; for practical use we suggest increasing these values by 0,5 m.
These performances are valid for liquids with density $\rho = 1,0 \text{ Kg/dm}^3$ and kinematic viscosity $\nu = 1 \text{ mm}^2/\text{sec}$.



ITT

Lowara

SHE4-SHS4-SHF4 SERIES OPERATING CHARACTERISTICS AT 50 Hz, 4 POLES



04923A_B_CH

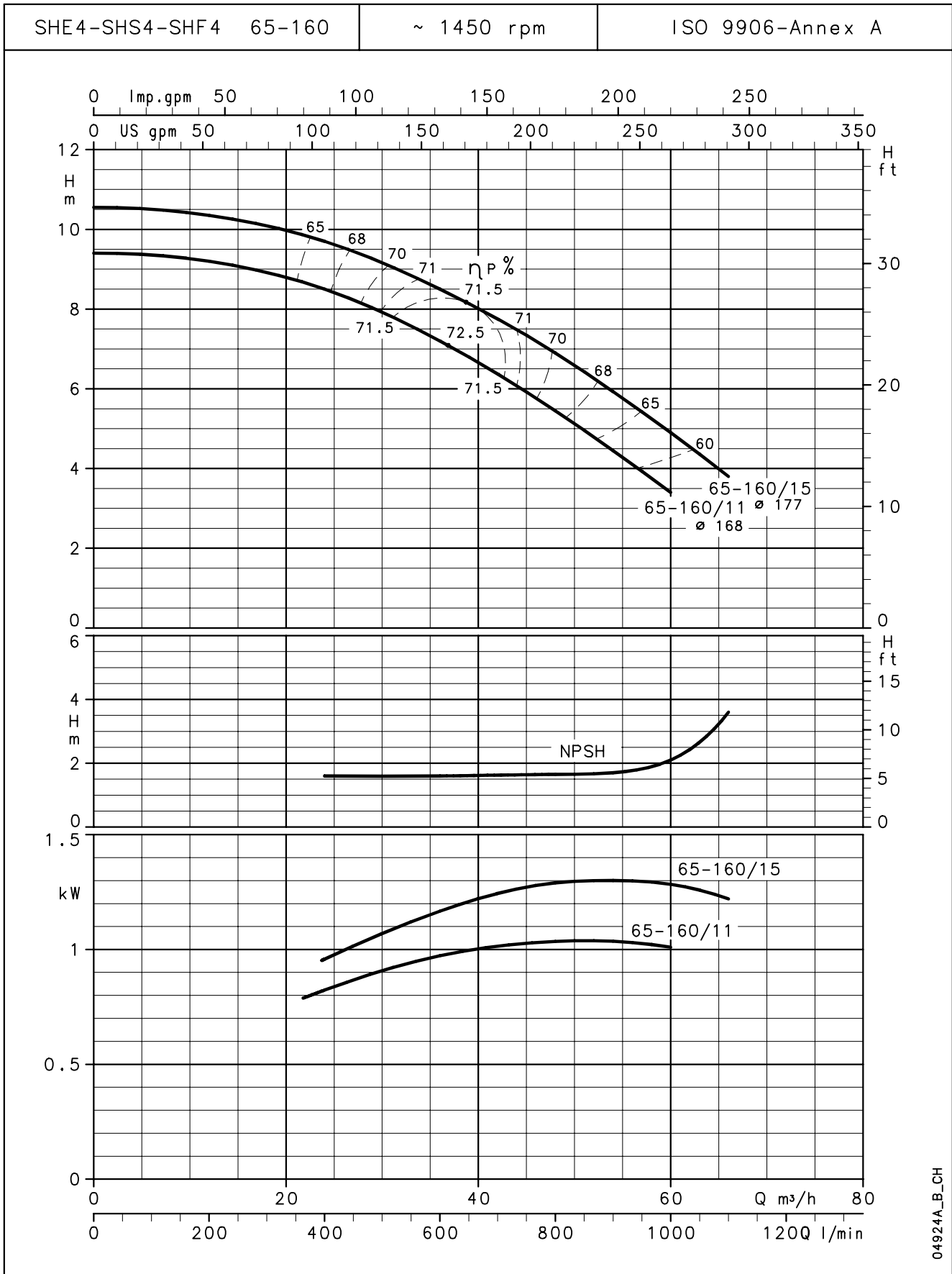
The NPSH values are laboratory values; for practical use we suggest increasing these values by 0,5 m.
These performances are valid for liquids with density $\rho = 1,0 \text{ Kg/dm}^3$ and kinematic viscosity $\nu = 1 \text{ mm}^2/\text{sec}$.



ITT

Lowara

SHE4-SHS4-SHF4 SERIES OPERATING CHARACTERISTICS AT 50 Hz, 4 POLES



04924A_B_CH

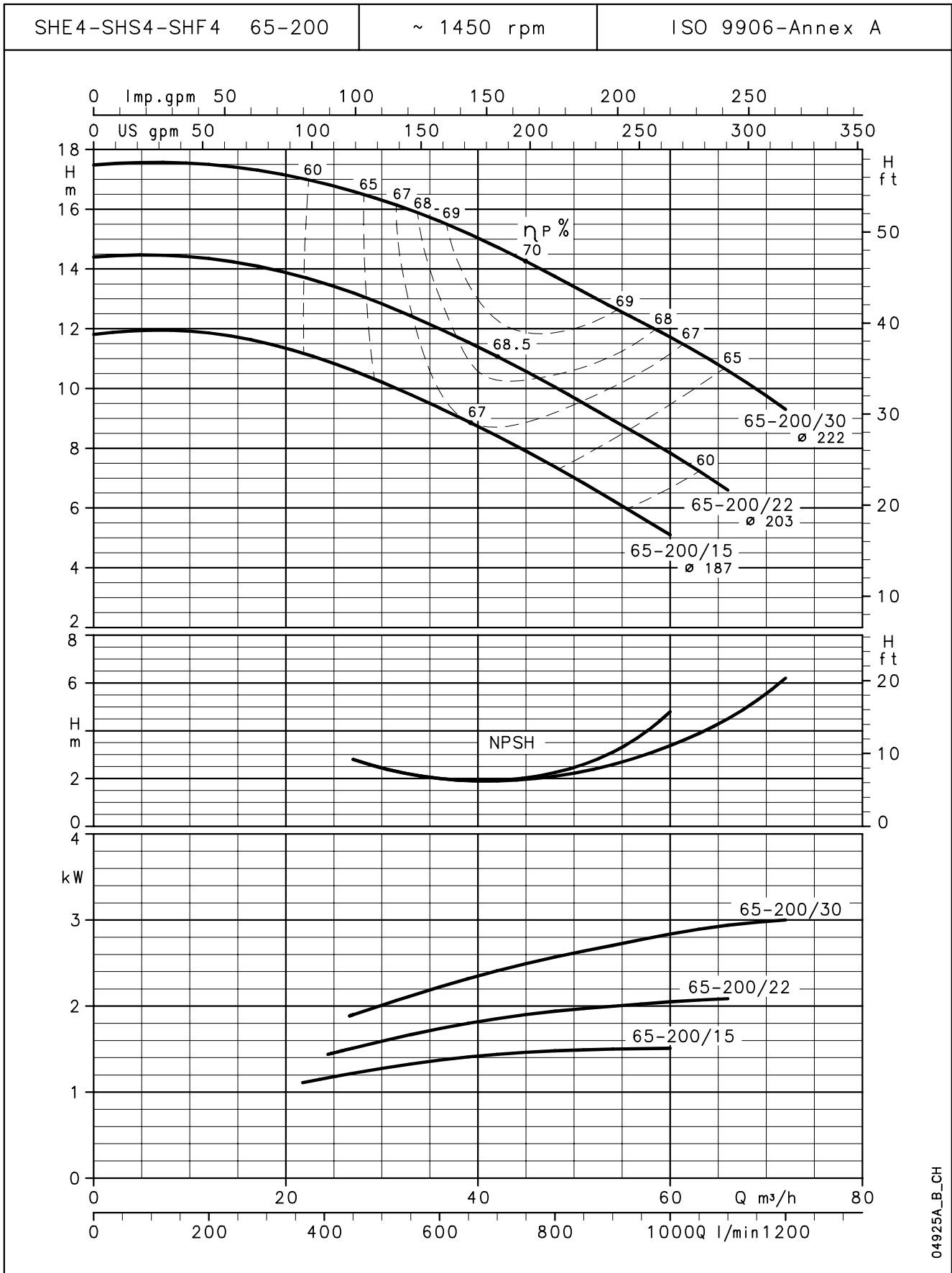
The NPSH values are laboratory values; for practical use we suggest increasing these values by 0,5 m.
These performances are valid for liquids with density $\rho = 1,0 \text{ Kg/dm}^3$ and kinematic viscosity $\nu = 1 \text{ mm}^2/\text{sec}$.



ITT

Lowara

SHE4-SHS4-SHF4 SERIES OPERATING CHARACTERISTICS AT 50 Hz, 4 POLES



04925A_B_CH

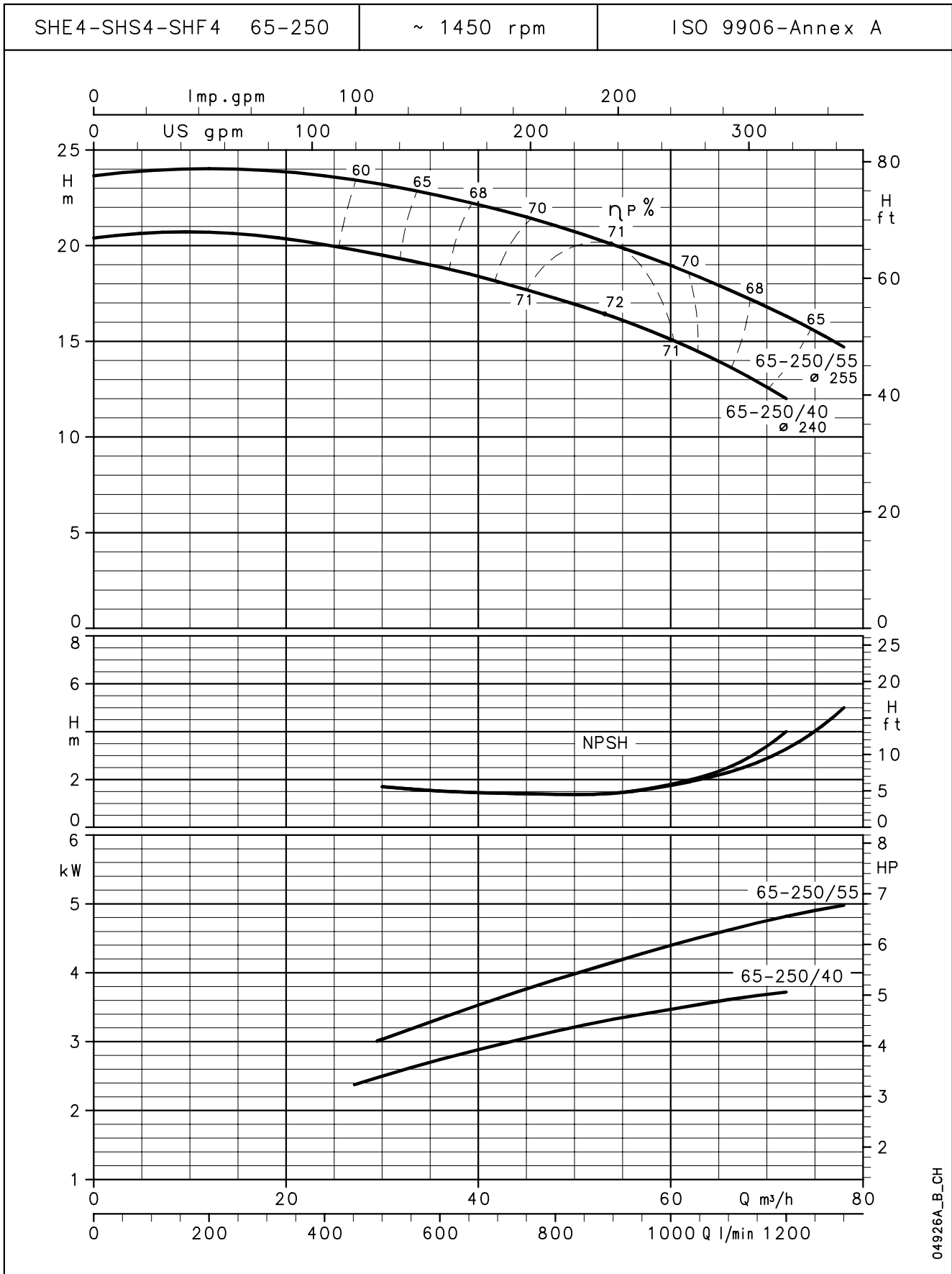
The NPSH values are laboratory values; for practical use we suggest increasing these values by 0,5 m.
These performances are valid for liquids with density $\rho = 1,0 \text{ Kg/dm}^3$ and kinematic viscosity $\nu = 1 \text{ mm}^2/\text{sec}$.



ITT

Lowara

SHE4-SHS4-SHF4 SERIES OPERATING CHARACTERISTICS AT 50 Hz, 4 POLES



04926A_B_CH

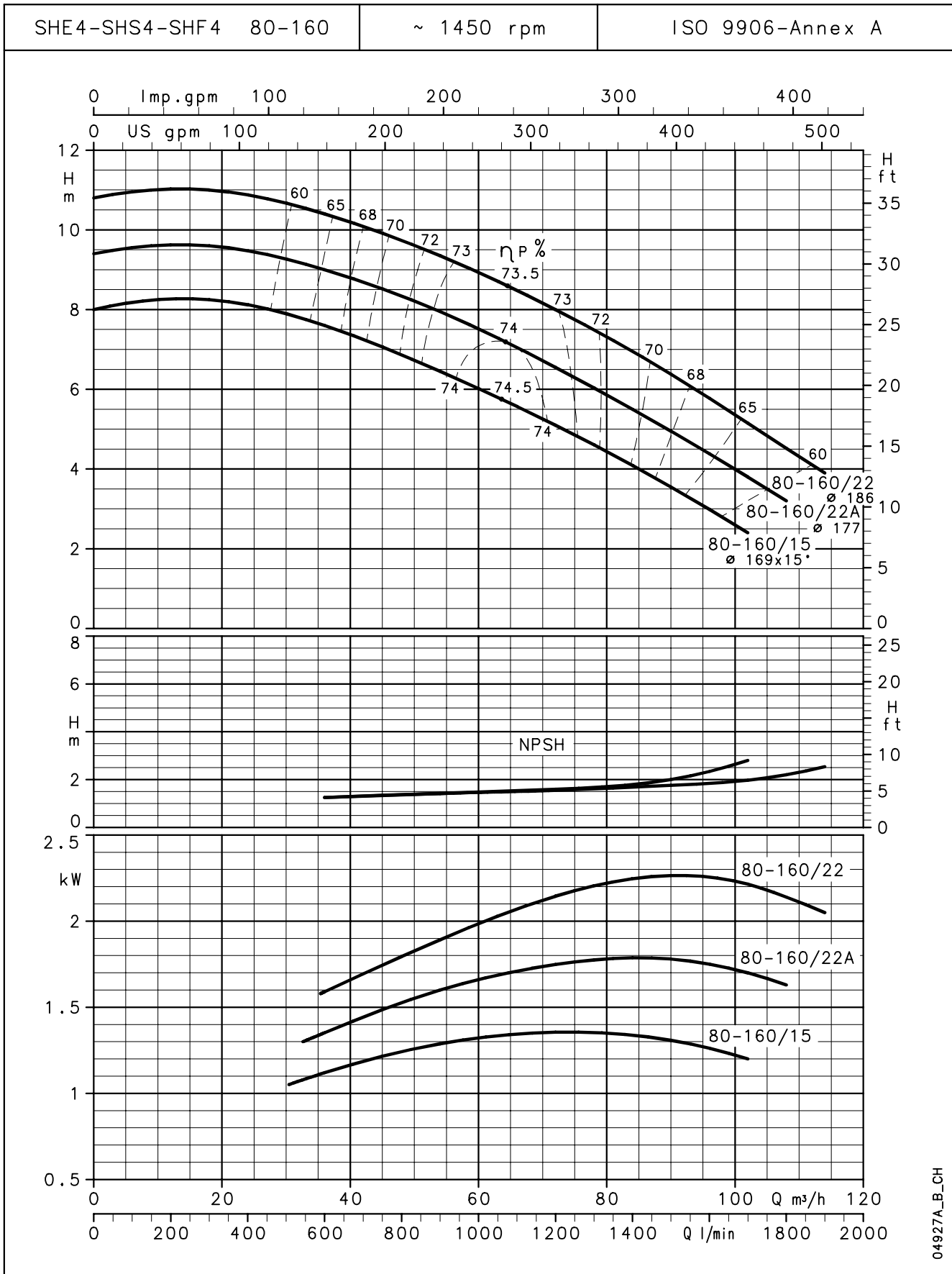
The NPSH values are laboratory values; for practical use we suggest increasing these values by 0,5 m. These performances are valid for liquids with density $\rho = 1,0 \text{ Kg/dm}^3$ and kinematic viscosity $\nu = 1 \text{ mm}^2/\text{sec}$.



ITT

Lowara

SHE4-SHS4-SHF4 SERIES OPERATING CHARACTERISTICS AT 50 Hz, 4 POLES



04927A_B_CH

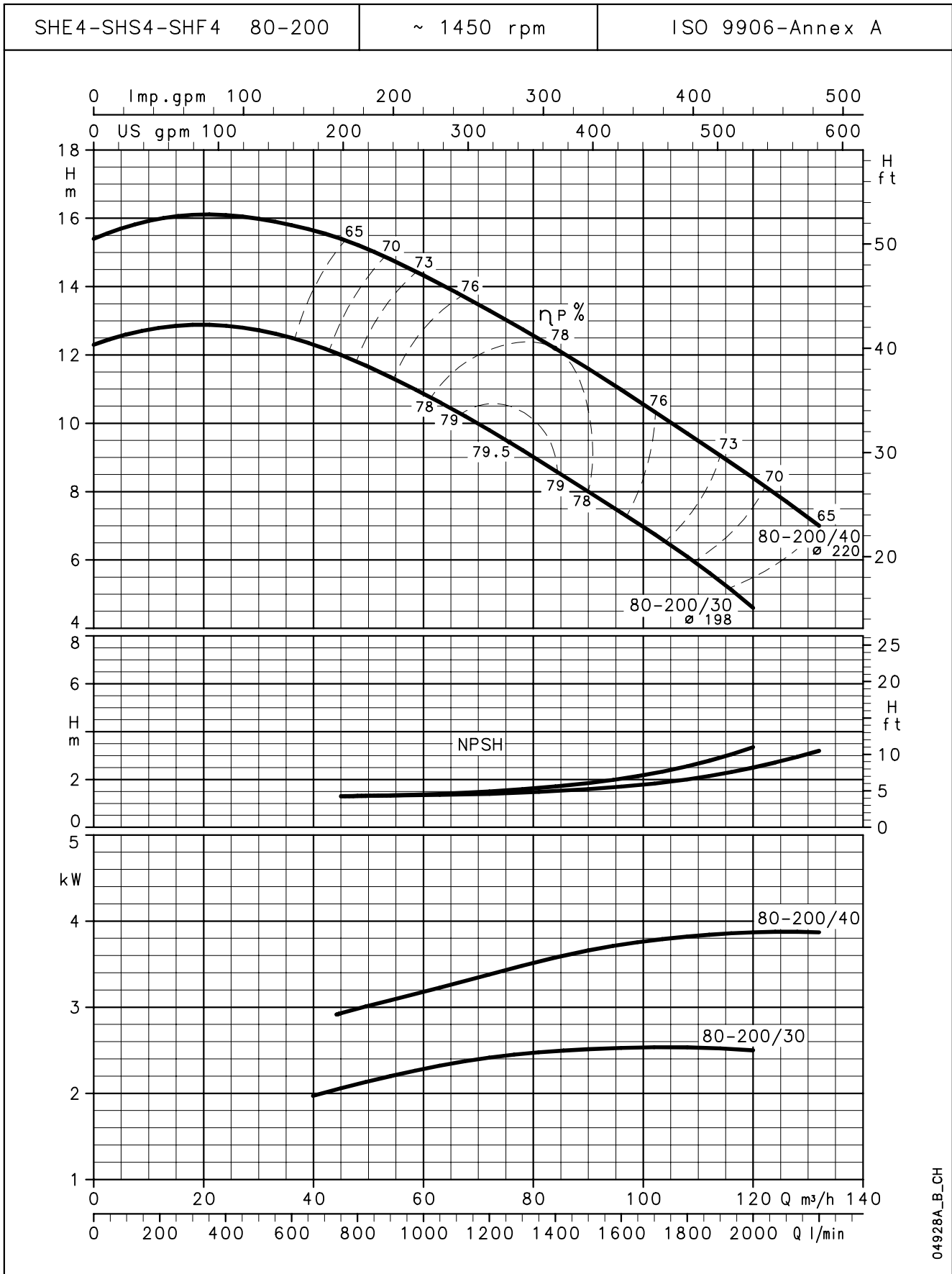
The NPSH values are laboratory values; for practical use we suggest increasing these values by 0,5 m.
These performances are valid for liquids with density $\rho = 1,0 \text{ Kg/dm}^3$ and kinematic viscosity $\nu = 1 \text{ mm}^2/\text{sec}$.



ITT

Lowara

SHE4-SHS4-SHF4 SERIES OPERATING CHARACTERISTICS AT 50 Hz, 4 POLES



04928A_B_CH

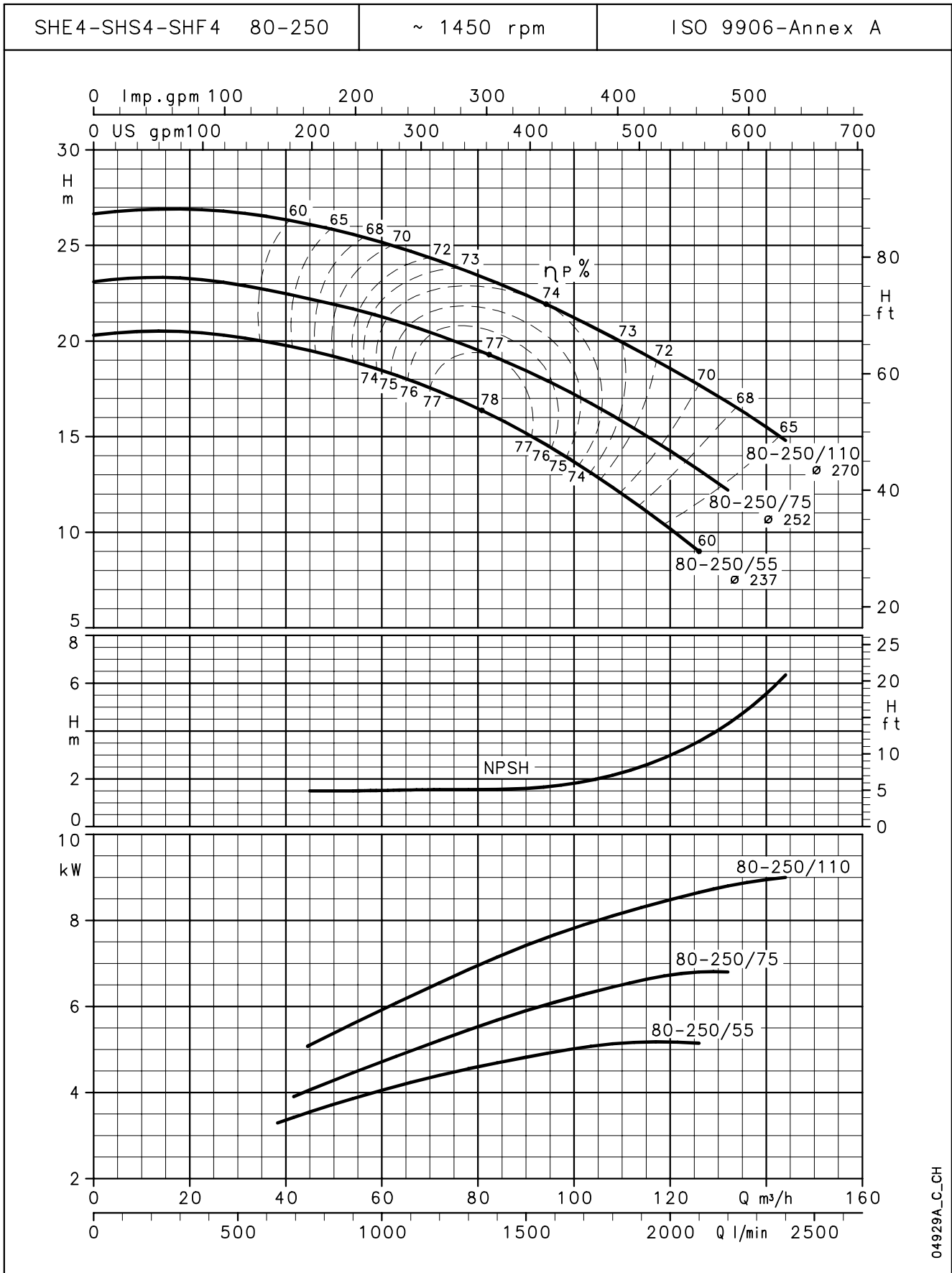
The NPSH values are laboratory values; for practical use we suggest increasing these values by 0,5 m.
These performances are valid for liquids with density $\rho = 1,0 \text{ Kg/dm}^3$ and kinematic viscosity $\nu = 1 \text{ mm}^2/\text{sec}$.



ITT

Lowara

SHE4-SHS4-SHF4 SERIES OPERATING CHARACTERISTICS AT 50 Hz, 4 POLES



04929A_C_CH

The NPSH values are laboratory values; for practical use we suggest increasing these values by 0,5 m.
These performances are valid for liquids with density $\rho = 1,0 \text{ Kg/dm}^3$ and kinematic viscosity $\nu = 1 \text{ mm}^2/\text{sec}$.



ITT

Lowara



ITT

Lowara

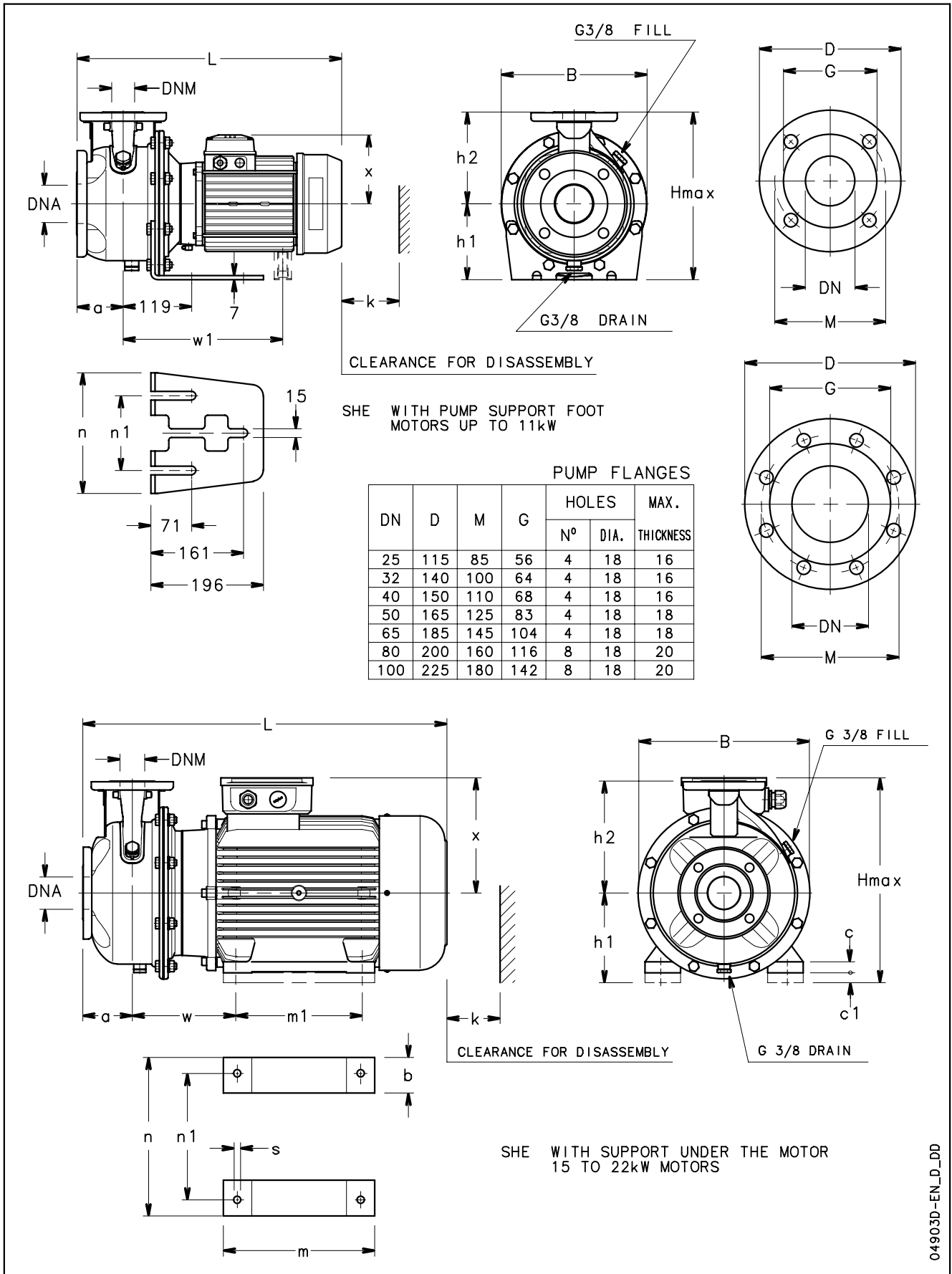
DIMENSIONS AND WEIGHTS



ITT

Lowara

SHE SERIES DIMENSIONS AND WEIGHTS



**SHE SERIES
DIMENSIONS AND WEIGHTS**

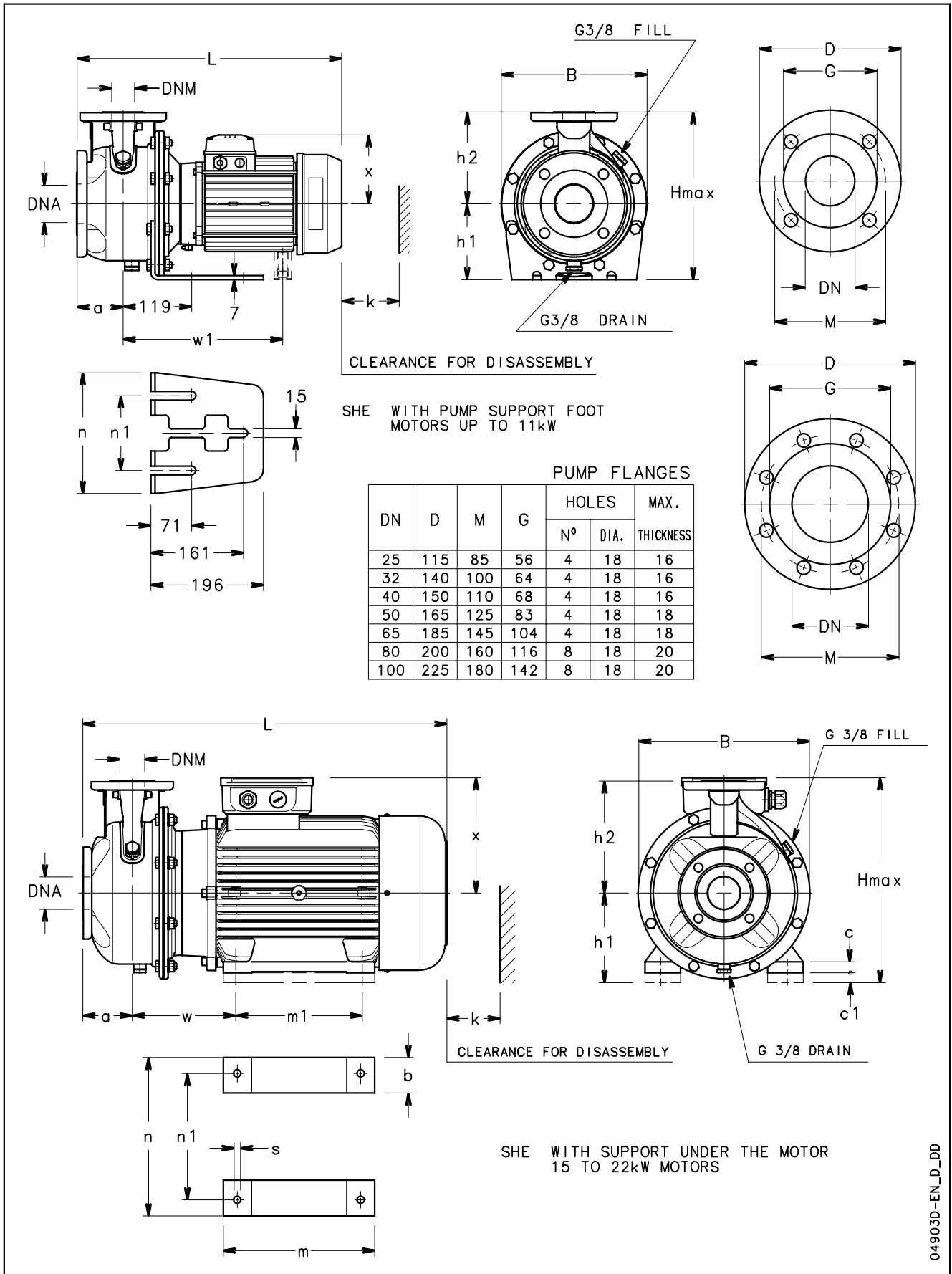
PUMP TYPE	DIMENSIONS (mm)															B	H max	L	k	WEIGHT kg	
	DNM	DNA	PUMP					SUPPORT													
			a	h2	w	w1	x	b	c	c1	h1	m	m1	n	n1	s					
SHE 25-125/07	25	50	80	140	-	-	129	-	-	-	160	-	-	190	130	-	218	300	443	98	17
SHE 25-125/11	25	50	80	140	-	-	129	-	-	-	160	-	-	190	130	-	218	300	443	98	19
SHE 25-160/15	25	50	80	160	-	-	129	-	-	-	160	-	-	210	130	-	253	320	443	98	23
SHE 25-160/22	25	50	80	160	-	-	129	-	-	-	160	-	-	210	130	-	253	320	443	98	24
SHE 25-200/30	25	50	80	180	-	-	134	-	-	-	160	-	-	230	130	-	284	340	478	98	38
SHE 25-200/40	25	50	80	180	-	-	154	-	-	-	160	-	-	230	130	-	284	340	499	98	41
SHE 25-250/55	25	50	100	225	-	-	168	-	-	-	180	-	-	265	130	-	345	405	553	98	66
SHE 25-250/75	25	50	100	225	-	305	191	-	-	-	180	-	-	265	130	-	345	405	567	98	84
SHE 25-250/110	25	50	100	225	-	343	191	-	-	-	180	-	-	265	130	-	345	405	605	98	92
SHE 32-125/07	32	50	80	140	-	-	129	-	-	-	112	-	-	190	130	-	218	252	443	98	17
SHE 32-125/11	32	50	80	140	-	-	129	-	-	-	112	-	-	190	130	-	218	252	443	98	19
SHE 32-160/15	32	50	80	160	-	-	129	-	-	-	132	-	-	210	130	-	253	292	443	98	23
SHE 32-160/22	32	50	80	160	-	-	129	-	-	-	132	-	-	210	130	-	253	292	443	98	24
SHE 32-200/30	32	50	80	180	-	-	134	-	-	-	160	-	-	230	130	-	284	340	478	98	38
SHE 32-200/40	32	50	80	180	-	-	154	-	-	-	160	-	-	230	130	-	284	340	499	98	41
SHE 32-250/55	32	50	100	225	-	-	168	-	-	-	180	-	-	265	130	-	345	405	553	98	66
SHE 32-250/75	32	50	100	225	-	305	191	-	-	-	180	-	-	265	130	-	345	405	567	98	84
SHE 32-250/110	32	50	100	225	-	343	191	-	-	-	180	-	-	265	130	-	345	405	605	98	92
SHE 40-125/11	40	65	80	140	-	-	129	-	-	-	112	-	-	190	130	-	218	252	443	100	20
SHE 40-125/15	40	65	80	140	-	-	129	-	-	-	112	-	-	190	130	-	218	252	443	100	21
SHE 40-125/22	40	65	80	140	-	-	129	-	-	-	112	-	-	190	130	-	218	252	443	100	25
SHE 40-160/30	40	65	80	160	-	-	134	-	-	-	132	-	-	210	130	-	253	292	478	100	32
SHE 40-160/40	40	65	80	160	-	-	154	-	-	-	132	-	-	210	130	-	253	292	499	100	40
SHE 40-200/55	40	65	100	180	-	-	168	-	-	-	160	-	-	230	130	-	284	340	553	100	52
SHE 40-200/75	40	65	100	180	-	305	191	-	-	-	160	-	-	230	130	-	284	340	567	100	65
SHE 40-250/92	40	65	100	225	-	343	191	-	-	-	180	-	-	265	130	-	345	405	605	107	89
SHE 40-250/110	40	65	100	225	-	343	191	-	-	-	180	-	-	265	130	-	345	405	605	107	94,0
SHE 40-250/150	40	65	100	225	208	-	240	49	5	20	180	304	210	304	254	15	345	420	694	107	130
SHE 50-125/22	50	65	100	160	-	-	129	-	-	-	132	-	-	210	130	-	253	292	463	104	25
SHE 50-125/30	50	65	100	160	-	-	134	-	-	-	132	-	-	210	130	-	253	292	498	104	33
SHE 50-125/40	50	65	100	160	-	-	154	-	-	-	132	-	-	210	130	-	253	292	519	104	40
SHE 50-160/55	50	65	100	180	-	-	168	-	-	-	160	-	-	210	130	-	253	340	553	104	52
SHE 50-160/75	50	65	100	180	-	305	191	-	-	-	160	-	-	210	130	-	253	340	567	104	67
SHE 50-200/92	50	65	100	200	-	343	191	-	-	-	160	-	-	245	130	-	310	360	605	104	84
SHE 50-200/110	50	65	100	200	-	343	191	-	-	-	160	-	-	245	130	-	310	360	605	104	88
SHE 50-250/150	50	65	100	225	208	-	240	49	5	20	180	304	210	304	254	15	345	420	694	107	131
SHE 50-250/185	50	65	100	225	208	-	240	49	5	20	180	304	254	304	254	15	345	420	694	107	144
SHE 50-250/220	50	65	100	225	208	-	240	49	5	20	180	304	254	304	254	15	345	420	694	107	147
SHE 65-160/40	65	80	100	200	-	-	154	-	-	-	160	-	-	245	130	-	310	360	519	130	56
SHE 65-160/55	65	80	100	200	-	-	168	-	-	-	160	-	-	245	130	-	310	360	553	130	63
SHE 65-160/75	65	80	100	200	-	305	191	-	-	-	160	-	-	245	130	-	310	360	567	130	80
SHE 65-160/92	65	80	100	200	-	343	191	-	-	-	160	-	-	245	130	-	310	360	605	130	95
SHE 65-160/110	65	80	100	200	-	343	191	-	-	-	160	-	-	245	130	-	310	360	605	130	102
SHE 65-200/150	65	80	100	225	208	-	240	49	5	20	180	304	210	304	254	15	310	420	694	130	131
SHE 65-200/185	65	80	100	225	208	-	240	49	5	20	180	304	254	304	254	15	310	420	694	130	141
SHE 65-200/220	65	80	100	225	208	-	240	49	5	20	180	304	254	304	254	15	310	420	694	130	151
SHE 80-160/110	80	100	125	225	-	343	191	-	-	-	180	-	-	265	130	-	345	405	630	160	94
SHE 80-160/150	80	100	125	225	208	-	240	49	5	20	180	304	210	304	254	15	345	420	719	160	128
SHE 80-160/185	80	100	125	225	208	-	240	49	5	20	180	304	254	304	254	15	345	420	719	160	139
SHE 80-200/220	80	100	125	250	208	-	240	49	5	20	180	304	254	304	254	15	345	430	719	160	156



ITT

Lowara

SHE4 SERIES DIMENSIONS AND WEIGHTS





ITT

Lowara

SHE4 SERIES DIMENSIONS AND WEIGHTS

PUMP TYPE	DIMENSIONS (mm)																B	H max	L	k	WEIGHT kg
	PUMP						SUPPORT														
	DNM	DNA	a	h2	w	w1	x	b	c	c1	h1	m	m1	n	n1	s					
SHE4 25-125/02A	25	50	80	140	-	-	121	-	-	-	160	-	-	190	130	-	218	300	411	98	15
SHE4 25-125/02	25	50	80	140	-	-	121	-	-	-	160	-	-	190	130	-	218	300	411	98	16
SHE4 25-160/02	25	50	80	160	-	-	121	-	-	-	160	-	-	210	130	-	253	320	411	98	18
SHE4 25-160/03	25	50	80	160	-	-	121	-	-	-	160	-	-	210	130	-	253	320	411	98	19
SHE4 25-200/03	25	50	80	180	-	-	121	-	-	-	160	-	-	230	130	-	284	340	411	98	26
SHE4 25-200/05	25	50	80	180	-	-	129	-	-	-	160	-	-	230	130	-	284	340	443	98	27
SHE4 25-250/07	25	50	100	225	-	-	129	-	-	-	180	-	-	265	130	-	345	405	463	98	41
SHE4 25-250/11	25	50	100	225	-	-	134	-	-	-	180	-	-	265	130	-	345	405	498	98	49
SHE4 25-250/15	25	50	100	225	-	-	134	-	-	-	180	-	-	265	130	-	345	405	498	98	51
SHE4 32-125/02A	32	50	80	140	-	-	121	-	-	-	112	-	-	190	130	-	218	252	411	98	15
SHE4 32-125/02	32	50	80	140	-	-	121	-	-	-	112	-	-	190	130	-	218	252	411	98	16
SHE4 32-160/02	32	50	80	160	-	-	121	-	-	-	132	-	-	210	130	-	253	292	411	98	18
SHE4 32-160/03	32	50	80	160	-	-	121	-	-	-	132	-	-	210	130	-	253	292	411	98	19
SHE4 32-200/03	32	50	80	180	-	-	121	-	-	-	160	-	-	230	130	-	284	340	411	98	26
SHE4 32-200/05	32	50	80	180	-	-	129	-	-	-	160	-	-	230	130	-	284	340	443	98	27
SHE4 32-250/07	32	50	100	225	-	-	129	-	-	-	180	-	-	265	130	-	345	405	463	98	41
SHE4 32-250/11	32	50	100	225	-	-	134	-	-	-	180	-	-	265	130	-	345	405	498	98	49
SHE4 32-250/15	32	50	100	225	-	-	134	-	-	-	180	-	-	265	130	-	345	405	498	98	51
SHE4 40-125/02A	40	65	80	140	-	-	121	-	-	-	112	-	-	190	130	-	218	252	411	100	16
SHE4 40-125/02	40	65	80	140	-	-	121	-	-	-	112	-	-	190	130	-	218	252	411	100	17
SHE4 40-125/03	40	65	80	140	-	-	121	-	-	-	112	-	-	190	130	-	218	252	411	100	18
SHE4 40-160/03	40	65	80	160	-	-	121	-	-	-	132	-	-	210	130	-	253	292	411	100	20
SHE4 40-160/05	40	65	80	160	-	-	129	-	-	-	132	-	-	210	130	-	253	292	443	100	24
SHE4 40-200/07	40	65	100	180	-	-	129	-	-	-	160	-	-	230	130	-	285	340	463	100	26
SHE4 40-200/11	40	65	100	180	-	-	134	-	-	-	160	-	-	230	130	-	285	340	498	100	35
SHE4 40-250/11	40	65	100	225	-	-	134	-	-	-	180	-	-	265	130	-	345	405	498	107	47
SHE4 40-250/15	40	65	100	225	-	-	134	-	-	-	180	-	-	265	130	-	345	405	498	107	61
SHE4 40-250/22	40	65	100	225	-	-	168	-	-	-	180	-	-	265	130	-	345	405	522	107	65
SHE4 50-125/03A	50	65	100	160	-	-	121	-	-	-	132	-	-	210	130	-	253	292	431	104	20
SHE4 50-125/03	50	65	100	160	-	-	121	-	-	-	132	-	-	210	130	-	253	292	431	104	20
SHE4 50-125/05	50	65	100	160	-	-	129	-	-	-	132	-	-	210	130	-	253	292	463	104	26
SHE4 50-160/07	50	65	100	180	-	-	129	-	-	-	160	-	-	210	130	-	253	340	463	104	29
SHE4 50-160/11	50	65	100	180	-	-	134	-	-	-	160	-	-	210	130	-	253	340	498	104	40
SHE4 50-200/11	50	65	100	200	-	-	134	-	-	-	160	-	-	245	130	-	310	360	498	104	48
SHE4 50-200/15	50	65	100	200	-	-	134	-	-	-	160	-	-	245	130	-	310	360	498	104	51
SHE4 50-250/22A	50	65	100	225	-	-	168	-	-	-	180	-	-	265	130	-	345	405	522	107	56
SHE4 50-250/22	50	65	100	225	-	-	168	-	-	-	180	-	-	265	130	-	345	405	522	107	56
SHE4 50-250/30	50	65	100	225	-	-	168	-	-	-	180	-	-	265	130	-	345	405	553	107	62
SHE4 65-160/05	65	80	100	200	-	-	129	-	-	-	160	-	-	245	130	-	310	360	463	130	32
SHE4 65-160/07	65	80	100	200	-	-	129	-	-	-	160	-	-	245	130	-	310	360	463	130	35
SHE4 65-160/11A	65	80	100	200	-	-	134	-	-	-	160	-	-	245	130	-	310	360	498	130	44
SHE4 65-160/11	65	80	100	200	-	-	134	-	-	-	160	-	-	245	130	-	310	360	498	130	45
SHE4 65-160/15	65	80	100	200	-	-	134	-	-	-	160	-	-	245	130	-	310	360	498	130	48
SHE4 65-200/15	65	80	100	225	-	-	134	-	-	-	180	-	-	245	130	-	310	405	498	130	56
SHE4 65-200/22	65	80	100	225	-	-	168	-	-	-	180	-	-	245	130	-	310	405	522	130	64
SHE4 65-200/30	65	80	100	225	-	-	168	-	-	-	180	-	-	245	130	-	310	405	553	130	64
SHE4 65-250/40	65	80	100	250	-	-	315	168	-	-	200	-	-	265	130	-	345	450	598	140	84
SHE4 65-250/55	65	80	100	250	-	-	343	191	-	-	200	-	-	265	130	-	345	450	605	140	97
SHE4 80-160/15	80	100	125	225	-	-	134	-	-	-	180	-	-	265	130	-	345	405	523	160	55
SHE4 80-160/22A	80	100	125	225	-	-	168	-	-	-	180	-	-	265	130	-	345	405	547	160	63
SHE4 80-160/22	80	100	125	225	-	-	168	-	-	-	180	-	-	265	130	-	345	405	547	160	66
SHE4 80-200/30	80	100	125	250	-	-	168	-	-	-	180	-	-	265	130	-	345	430	578	160	69
SHE4 80-200/40	80	100	125	250	-	-	315	168	-	-	180	-	-	265	130	-	345	430	623	160	88
SHE4 80-250/55	80	100	125	280	-	-	343	191	-	-	200	-	-	303	210	-	383	480	630	160	102
SHE4 80-250/75	80	100	125	280	-	-	343	191	-	-	200	-	-	303	210	-	383	480	630	160	106
SHE4 80-250/110	80	100	125	280	208	-	240	49	5	40	200	304	210	304	254	15	383	480	719	160	145

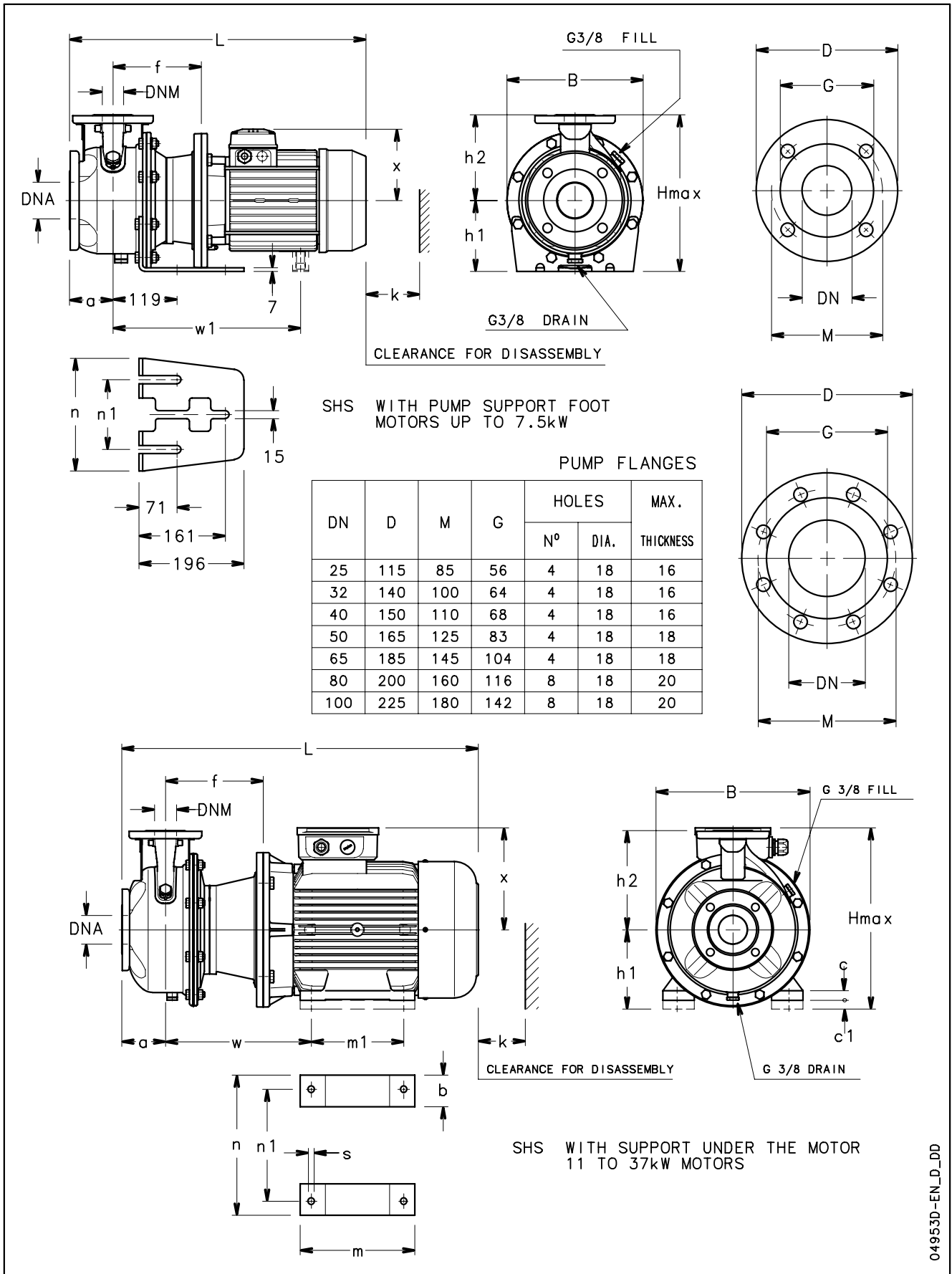
sh-she4-4p50-en_c_td



ITT

Lowara

**SHS SERIES
DIMENSIONS AND WEIGHTS**

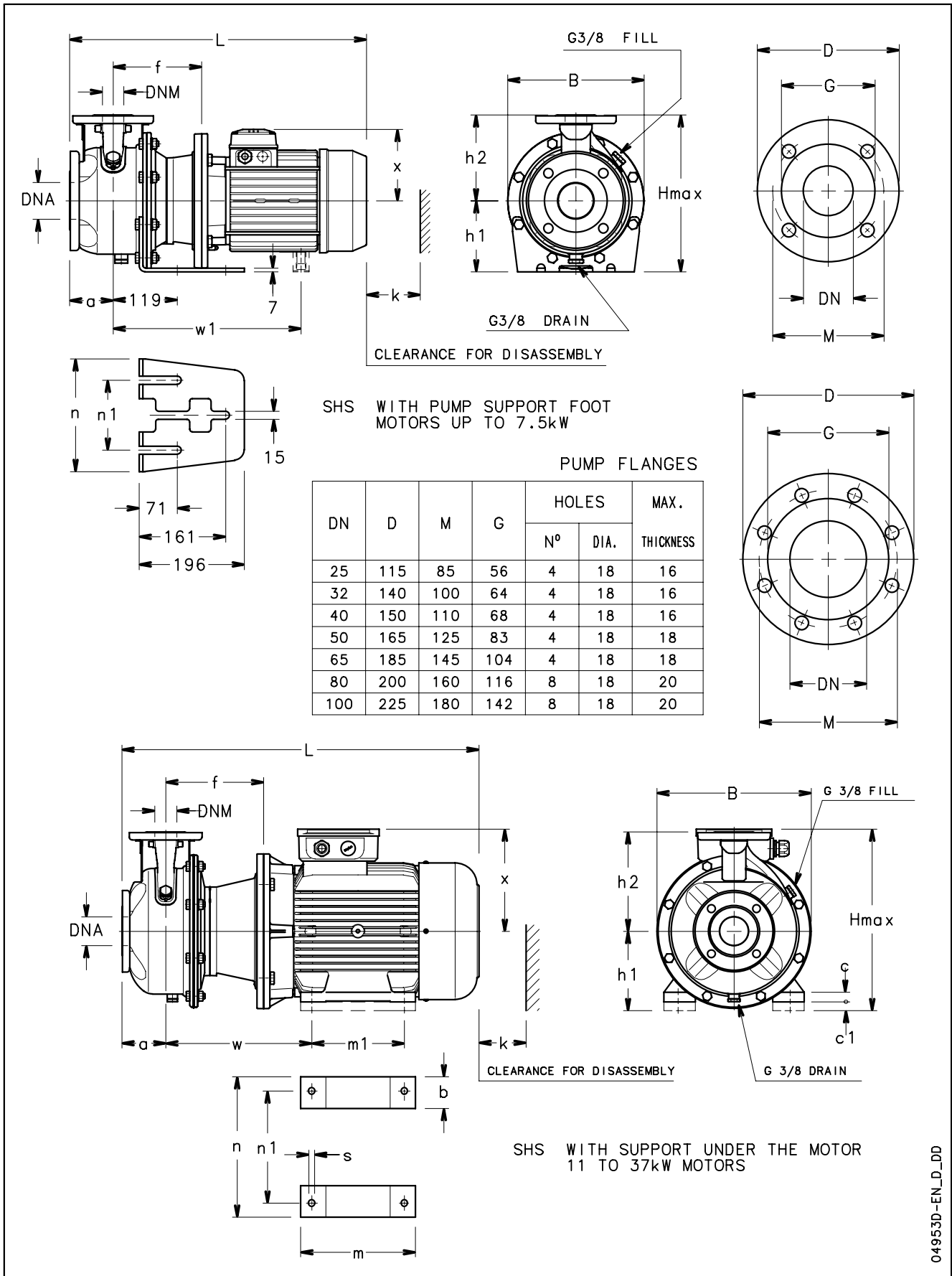




ITT

Lowara

SHS4 SERIES DIMENSIONS AND WEIGHTS



04953D-EN_D_DD



ITT

Lowara

SHS4 SERIES DIMENSIONS AND WEIGHTS

PUMP TYPE	DIMENSIONS (mm)																			WEIGHT kg			
	PUMP									SUPPORT									B		H max	L	k
	DNM	DNA	a	f	h2	w	w1	x	b	c	c1	h1	m	m1	n	n1	s						
SHS4 25-250/07	25	50	100	155	225	-	-	129	-	-	-	180	-	-	265	130	-	345	405	518	98	41	
SHS4 25-250/11	25	50	100	155	225	-	-	134	-	-	-	180	-	-	265	130	-	345	405	553	98	49	
SHS4 25-250/15	25	50	100	155	225	-	-	134	-	-	-	180	-	-	265	130	-	345	405	553	98	50	
SHS4 32-250/07	32	50	100	155	225	-	-	129	-	-	-	180	-	-	265	130	-	345	405	518	98	41	
SHS4 32-250/11	32	50	100	155	225	-	-	134	-	-	-	180	-	-	265	130	-	345	405	553	98	49	
SHS4 32-250/15	32	50	100	155	225	-	-	134	-	-	-	180	-	-	265	130	-	345	405	553	98	50	
SHS4 40-200/07	40	65	100	155	180	-	-	129	-	-	-	160	-	-	230	130	-	284	340	518	100	30	
SHS4 40-200/11	40	65	100	155	180	-	-	134	-	-	-	160	-	-	230	130	-	284	340	553	100	37	
SHS4 40-250/11	40	65	100	155	225	-	-	134	-	-	-	180	-	-	265	130	-	345	405	553	107	51	
SHS4 40-250/15	40	65	100	155	225	-	-	134	-	-	-	180	-	-	265	130	-	345	405	553	107	64	
SHS4 40-250/22	40	65	100	165	225	-	-	168	-	-	-	180	-	-	265	130	-	345	405	587	107	68	
SHS4 50-160/07	50	65	100	155	180	-	-	129	-	-	-	160	-	-	210	130	-	253	340	518	104	29	
SHS4 50-160/11	50	65	100	155	180	-	-	134	-	-	-	160	-	-	210	130	-	253	340	553	104	36	
SHS4 50-200/11	50	65	100	155	200	-	-	134	-	-	-	160	-	-	245	130	-	310	360	553	104	49	
SHS4 50-200/15	50	65	100	155	200	-	-	134	-	-	-	160	-	-	245	130	-	310	360	553	104	52	
SHS4 50-250/22A	50	65	100	165	225	-	-	168	-	-	-	180	-	-	265	130	-	345	405	587	107	58	
SHS4 50-250/22	50	65	100	165	225	-	-	168	-	-	-	180	-	-	265	130	-	345	405	587	107	59	
SHS4 50-250/30	50	65	100	165	225	-	-	168	-	-	-	180	-	-	265	130	-	345	405	618	107	65	
SHS4 65-160/05	65	80	100	155	200	-	-	129	-	-	-	160	-	-	245	130	-	310	360	518	130	34	
SHS4 65-160/07	65	80	100	155	200	-	-	129	-	-	-	160	-	-	245	130	-	310	360	518	130	37	
SHS4 65-160/11A	65	80	100	155	200	-	-	134	-	-	-	160	-	-	245	130	-	310	360	553	130	46	
SHS4 65-160/11	65	80	100	155	200	-	-	134	-	-	-	160	-	-	245	130	-	310	360	553	130	48	
SHS4 65-160/15	65	80	100	155	200	-	-	134	-	-	-	160	-	-	245	130	-	310	360	553	130	51	
SHS4 65-200/15	65	80	100	155	225	-	-	134	-	-	-	180	-	-	245	130	-	310	405	553	130	54	
SHS4 65-200/22	65	80	100	165	225	-	-	168	-	-	-	180	-	-	245	130	-	310	405	587	130	71	
SHS4 65-200/30	65	80	100	165	225	-	-	168	-	-	-	180	-	-	245	130	-	310	405	618	130	72	
SHS4 65-250/40	65	80	100	165	250	-	380	168	-	-	-	200	-	-	265	130	-	345	450	663	140	97	
SHS4 65-250/55	65	80	100	192	250	-	435	191	-	-	-	200	-	-	265	130	-	345	450	697	140	104	
SHS4 80-160/15	80	100	125	155	225	-	-	134	-	-	-	180	-	-	265	130	-	345	405	578	160	59	
SHS4 80-160/22A	80	100	125	165	225	-	-	168	-	-	-	180	-	-	265	130	-	345	405	612	160	67	
SHS4 80-160/22	80	100	125	165	225	-	-	168	-	-	-	180	-	-	265	130	-	345	405	612	160	67	
SHS4 80-200/30	80	100	125	165	250	-	-	168	-	-	-	180	-	-	265	130	-	345	430	643	160	72	
SHS4 80-200/40	80	100	125	165	250	-	380	168	-	-	-	180	-	-	265	130	-	345	430	688	160	88	
SHS4 80-250/55	80	100	125	192	280	-	435	191	-	-	-	200	-	-	303	210	-	383	480	722	160	107	
SHS4 80-250/75	80	100	125	192	280	-	435	191	-	-	-	200	-	-	303	210	-	383	480	722	160	113	
SHS4 80-250/110	80	100	125	222	280	330	-	240	49	5	40	200	304	210	304	254	15	383	480	841	160	153	

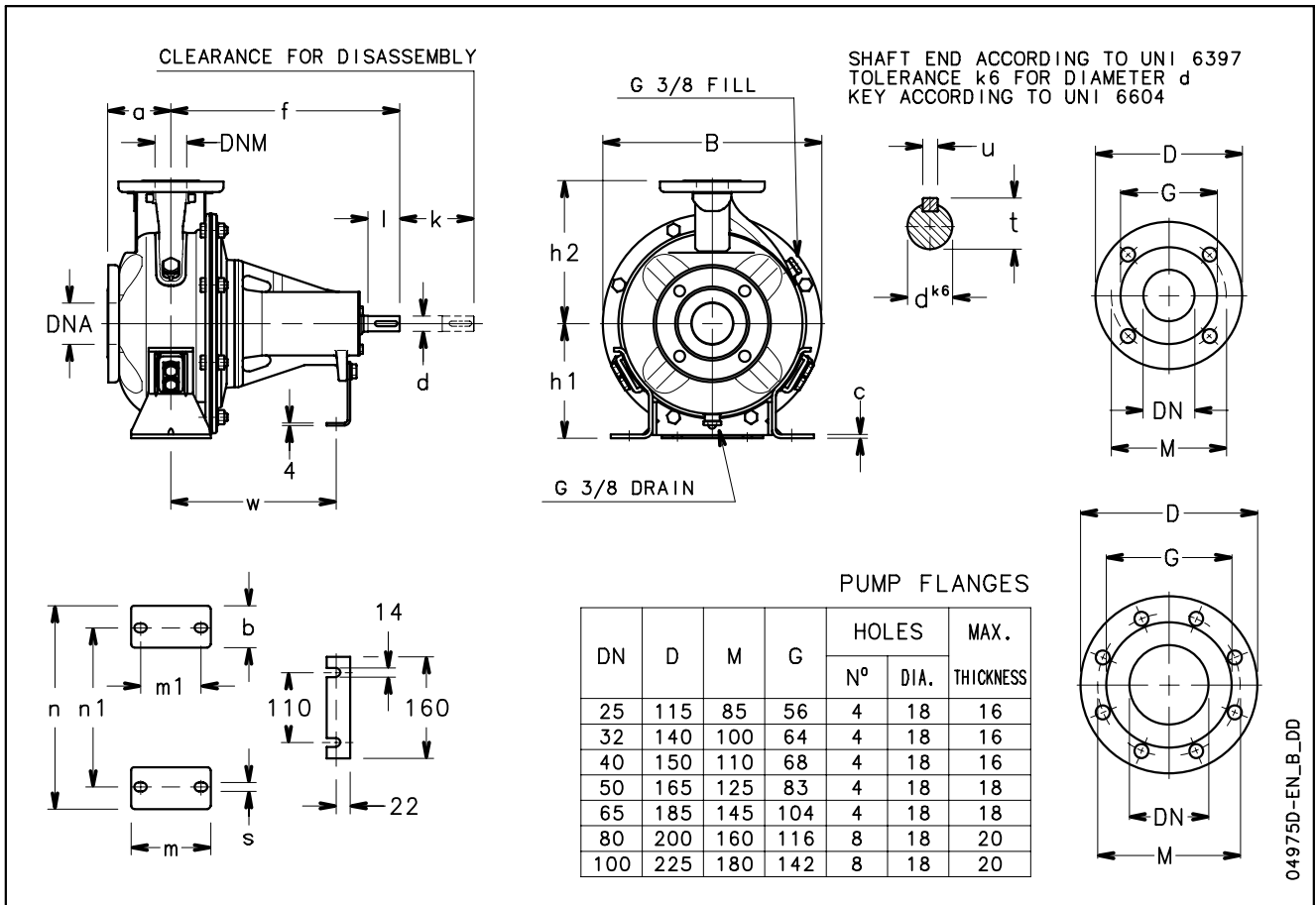
sh-shs4-4p50-en_c_td



ITT

Lowara

SHF BARE SHAFT SERIES DIMENSIONS AND WEIGHTS





ITT

Lowara

SHF BARE SHAFT SERIES DIMENSIONS AND WEIGHTS

PUMP TYPE	DIMENSIONS (mm)																		B	k	WEIGHT kg
	PUMP						SUPPORT						SHAFT								
	DNM	DNA	a	f	h1	h2	b	c	m	m1	n	n1	s	w	d	l	t	u			
SHF 25-125	25	50	80	360	112	140	47	3	100	70	190	140	14	260	24	50	27	8	218	98	14
SHF 25-160	25	50	80	360	132	160	48	3	100	70	240	190	14	260	24	50	27	8	253	98	17
SHF 25-200	25	50	80	360	160	180	47	3	100	70	240	190	14	260	24	50	27	8	284	98	20
SHF 25-250	25	50	100	360	180	225	54	6	125	95	320	250	14	260	24	50	27	8	345	98	34
SHF 32-125	32	50	80	360	112	140	47	3	100	70	190	140	14	260	24	50	27	8	218	98	14
SHF 32-160	32	50	80	360	132	160	48	3	100	70	240	190	14	260	24	50	27	8	253	98	17
SHF 32-200	32	50	80	360	160	180	47	3	100	70	240	190	14	260	24	50	27	8	284	98	20
SHF 32-250	32	50	100	360	180	225	54	6	125	95	320	250	14	260	24	50	27	8	345	98	34
SHF 40-125	40	65	80	360	112	140	47	3	100	70	210	160	14	260	24	50	27	8	218	100	16
SHF 40-160	40	65	80	360	132	160	48	3	100	70	240	190	14	260	24	50	27	8	253	100	18
SHF 40-200	40	65	100	360	160	180	50	3	100	70	265	212	14	260	24	50	27	8	284	100	20
SHF 40-250	40	65	100	360	180	225	54	6	125	95	320	250	14	260	24	50	27	8	345	107	33
SHF 50-125	50	65	100	360	132	160	48	3	100	70	240	190	14	260	24	50	27	8	253	104	17
SHF 50-160	50	65	100	360	160	180	48	3	100	70	265	212	14	260	24	50	27	8	253	104	24
SHF 50-200	50	65	100	360	160	200	40	6	100	70	265	212	14	260	24	50	27	8	310	104	30
SHF 50-250	50	65	100	360	180	225	54	6	125	95	320	250	14	260	24	50	27	8	345	107	37
SHF 65-160	65	80	100	360	160	200	48	6	125	95	280	212	14	260	24	50	27	8	310	130	31
SHF 65-200	65	80	100	360	180	225	65	15	125	95	320	250	14	260	24	50	27	8	310	130	42
SHF 65-250	65	80	100	470	200	250	80	18	160	120	360	280	18	340	32	80	35	10	345	140	55
SHF 80-160	80	100	125	360	180	225	54	6	125	95	320	250	14	260	24	50	27	8	345	160	37
SHF 80-200	80	100	125	470	180	250	65	15	125	95	345	280	14	340	32	80	35	10	345	160	55
SHF 80-250	80	100	125	470	200	280	80	18	160	120	400	315	18	340	32	80	35	10	383	160	67

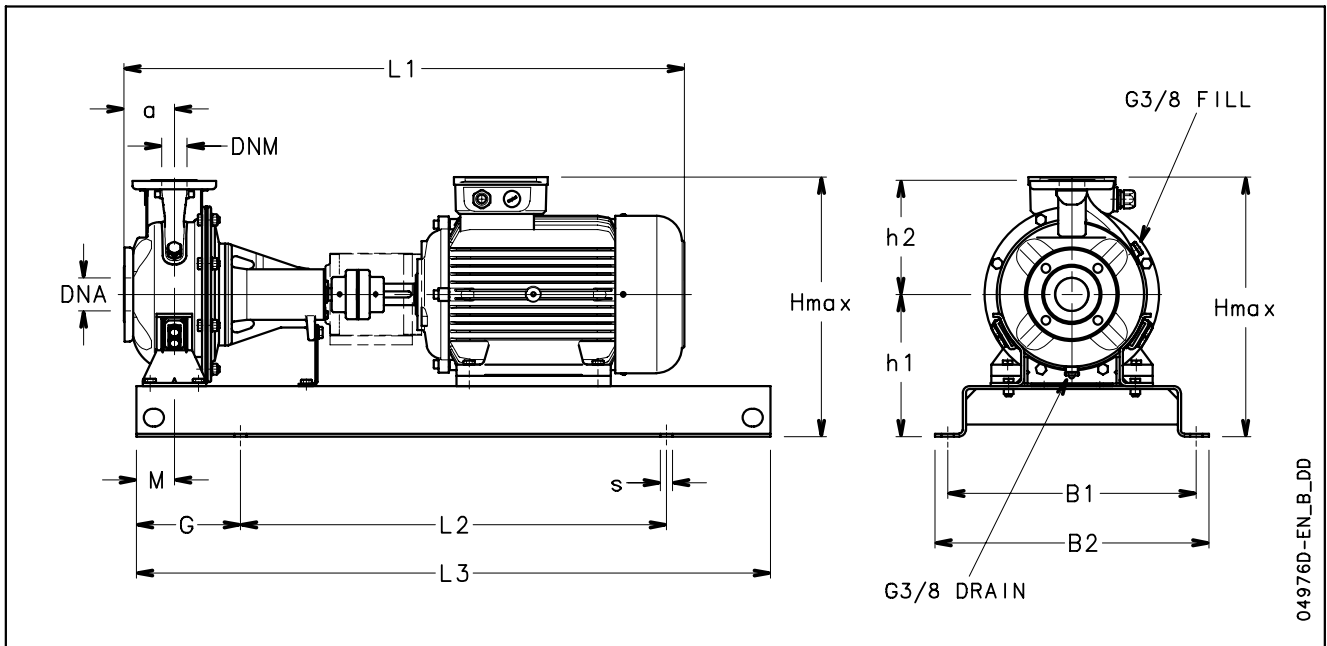
sh-shf-en_c_td



ITT

Lowara

SHF BASE-MOUNTED SERIES DIMENSIONS AND WEIGHTS





ITT

Lowara

SHF BASE-MOUNTED SERIES DIMENSIONS AND WEIGHTS

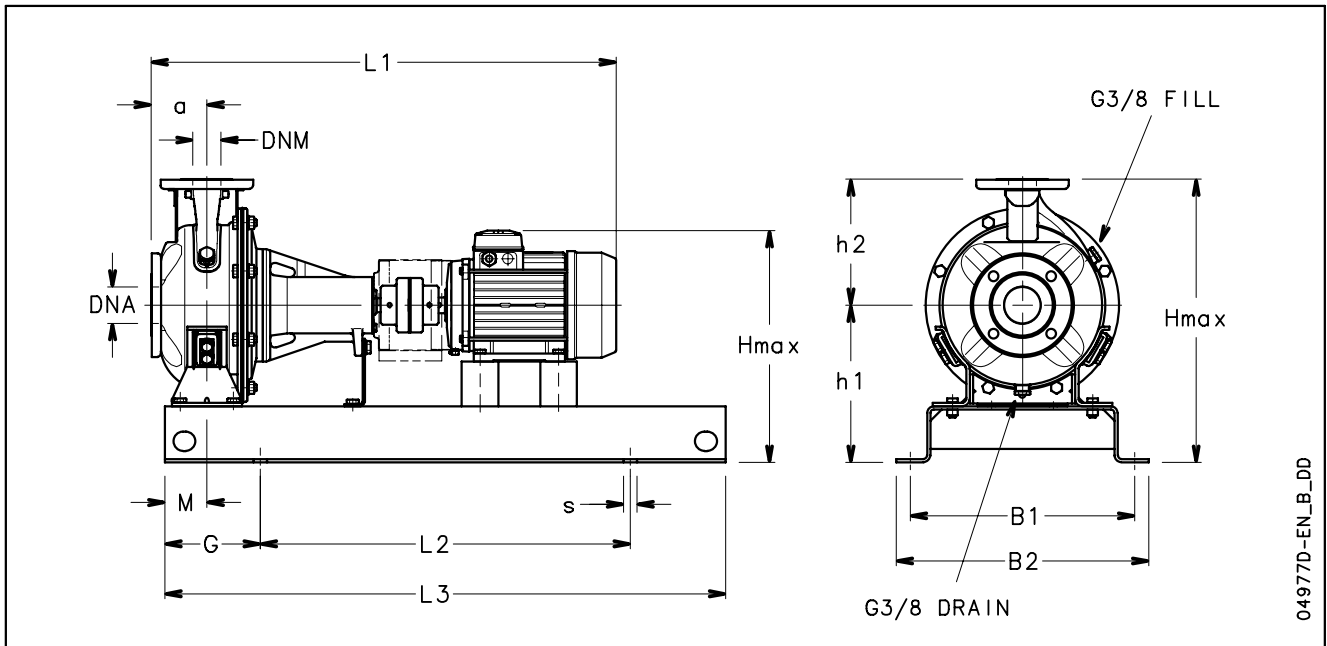
PUMP TYPE	DIMENSIONS (mm)													s FOR SCREWS	WEIGHT kg	COUPLING TYPE
	DNM	DNA	a	B1	B2	L1	L2	L3	G	M	h1	h2	Hmax			
SHF 25-125/07	25	50	80	320	360	746	540	800	130	60	212	140	352	M16	65	A2
SHF 25-125/11	25	50	80	320	360	746	540	800	130	60	212	140	352	M16	67	A2
SHF 25-160/15	25	50	80	350	390	791	600	900	150	60	232	160	392	M16	73	A3
SHF 25-160/22	25	50	80	350	390	791	600	900	150	60	232	160	392	M16	75	A3
SHF 25-200/30	25	50	80	350	390	822	600	900	150	60	260	180	440	M16	95	B1
SHF 25-200/40	25	50	80	350	390	825	600	900	150	60	260	180	440	M16	97	B1
SHF 25-250/55	25	50	100	440	490	910	740	1120	190	75	280	225	505	M20	130	C1
SHF 25-250/75	25	50	100	440	490	910	740	1120	190	75	280	225	505	M20	134	C1
SHF 25-250/110	25	50	100	490	540	1067	840	1250	205	75	280	225	520	M20	181	C2
SHF 32-125/07	32	50	80	320	360	746	540	800	130	60	212	140	352	M16	65	A2
SHF 32-125/11	32	50	80	320	360	746	540	800	130	60	212	140	352	M16	67	A2
SHF 32-160/15	32	50	80	350	390	791	600	900	150	60	232	160	392	M16	73	A3
SHF 32-160/22	32	50	80	350	390	791	600	900	150	60	232	160	392	M16	75	A3
SHF 32-200/30	32	50	80	350	390	822	600	900	150	60	260	180	440	M16	95	B1
SHF 32-200/40	32	50	80	350	390	825	600	900	150	60	260	180	440	M16	97	B1
SHF 32-250/55	32	50	100	440	490	910	740	1120	190	75	280	225	505	M20	130	C1
SHF 32-250/75	32	50	100	440	490	910	740	1120	190	75	280	225	505	M20	134	C1
SHF 32-250/110	32	50	100	490	540	1067	840	1250	205	75	280	225	520	M20	181	C2
SHF 40-125/11	40	65	80	350	390	746	600	900	150	60	212	140	352	M16	68	A2
SHF 40-125/15	40	65	80	350	390	791	600	900	150	60	212	140	352	M16	74	A3
SHF 40-125/22	40	65	80	350	390	791	600	900	150	60	212	140	352	M16	77	A3
SHF 40-160/30	40	65	80	350	390	822	600	900	150	60	232	160	392	M16	92	B1
SHF 40-160/40	40	65	80	350	390	825	600	900	150	60	232	160	400	M16	96	B1
SHF 40-200/55	40	65	100	400	450	910	660	1000	170	60	260	180	451	M20	123	C1
SHF 40-200/75	40	65	100	400	450	910	660	1000	170	60	260	180	451	M20	128	C1
SHF 40-250/110A	40	65	100	490	540	1067	840	1250	205	75	280	225	520	M20	167	C2
SHF 40-250/110	40	65	100	490	540	1067	840	1250	205	75	280	225	520	M20	170	C2
SHF 40-250/150	40	65	100	490	540	1067	840	1250	205	75	280	225	520	M20	175	C2
SHF 50-125/22	50	65	100	350	390	811	600	900	150	60	232	160	392	M16	84	A3
SHF 50-125/30	50	65	100	350	390	842	600	900	150	60	232	160	392	M16	92	B1
SHF 50-125/40	50	65	100	350	390	845	600	900	150	60	232	160	400	M16	95	B1
SHF 50-160/55	50	65	100	400	450	910	660	1000	170	60	260	180	451	M20	120	C1
SHF 50-160/75	50	65	100	400	450	910	660	1000	170	60	260	180	451	M20	122	C1
SHF 50-200/110A	50	65	100	440	490	1067	740	1120	190	60	260	200	500	M20	145	C2
SHF 50-200/110	50	65	100	440	490	1067	740	1120	190	60	260	200	500	M20	150	C2
SHF 50-250/150	50	65	100	490	540	1067	840	1250	205	75	280	225	520	M20	165	C2
SHF 50-250/185	50	65	100	490	540	1067	840	1250	205	75	280	225	520	M20	170	C2
SHF 50-250/220	50	65	100	490	540	1111	840	1250	205	75	280	225	538	M20	180	D1
SHF 65-160/40	65	80	100	400	450	845	660	1000	170	75	260	200	460	M20	133	B1
SHF 65-160/55	65	80	100	440	490	910	740	1120	190	75	260	200	460	M20	150	C1
SHF 65-160/75	65	80	100	440	490	910	740	1120	190	75	260	200	460	M20	154	C1
SHF 65-160/110A	65	80	100	490	540	1067	840	1250	205	75	260	200	500	M20	162	C2
SHF 65-160/110	65	80	100	490	540	1067	840	1250	205	75	260	200	500	M20	162	C2
SHF 65-200/150	65	80	100	490	540	1067	840	1250	205	75	280	225	520	M20	185	C2
SHF 65-200/185	65	80	100	490	540	1067	840	1250	205	75	280	225	520	M20	190	C2
SHF 65-200/220	65	80	100	490	540	1111	840	1250	205	75	280	225	538	M20	208	D1
SHF 65-250/300	65	80	100	550	610	1296	940	1400	230	90	310	250	588	M24	271	E1
SHF 65-250/370	65	80	100	550	610	1296	940	1400	230	90	310	250	588	M24	296	E1
SHF 80-160/110	80	100	125	490	540	1092	840	1250	205	75	280	225	520	M20	198	C2
SHF 80-160/150	80	100	125	490	540	1092	840	1250	205	75	280	225	520	M20	209	C2
SHF 80-160/185	80	100	125	490	540	1092	840	1250	205	75	280	225	520	M20	220	C2
SHF 80-200/220	80	100	125	490	540	1246	840	1250	205	75	280	250	538	M20	236	D2
SHF 80-200/300	80	100	125	550	610	1321	940	1400	230	75	310	250	588	M24	277	E1
SHF 80-200/370	80	100	125	550	610	1321	940	1400	230	75	310	250	588	M24	295	E1
SHF 80-250/450	80	100	125	550	610	1398	940	1400	230	90	365	280	663	M24	355	E1
SHF 80-250/550	80	100	125	600	660	1428	1060	1600	270	90	390	280	688	M24	394	F1
SHF 80-250/750	80	100	125	670	730	1558	1200	1800	300	90	420	280	780	M24	405	G1



ITT

Lowara

SHF4 BASE-MOUNTED SERIES DIMENSIONS AND WEIGHTS



04977D-EN_B_DD



ITT

Lowara

SHF4 BASE-MOUNTED SERIES DIMENSIONS AND WEIGHTS

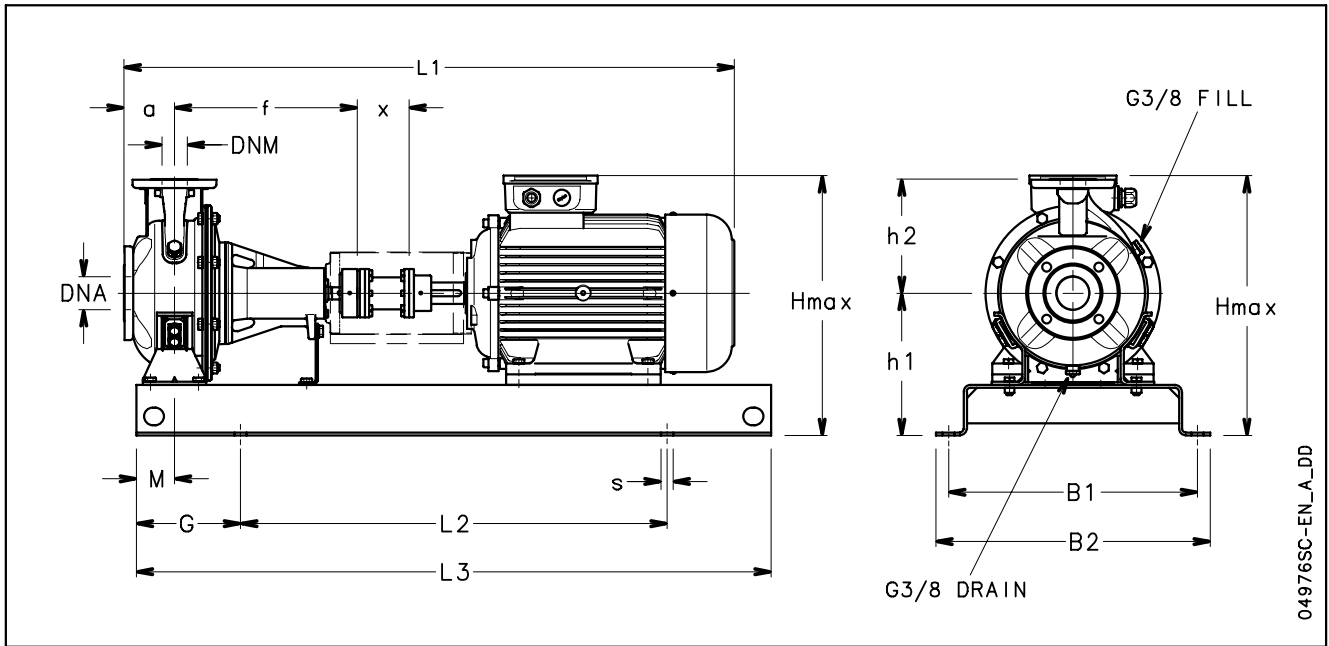
PUMP TYPE	DIMENSIONS (mm)													s FOR SCREWS	WEIGHT kg	COUPLING TYPE
	DNM	DNA	a	B1	B2	L1	L2	L3	G	M	h1	h2	Hmax			
SHF4 25-125/02A	25	50	80	320	360	704	540	800	130	60	212	140	352	M16	72	A1
SHF4 25-125/02	25	50	80	320	360	704	540	800	130	60	212	140	352	M16	72	A1
SHF4 25-160/02	25	50	80	320	360	704	540	800	130	60	232	160	392	M16	74	A1
SHF4 25-160/03	25	50	80	320	360	704	540	800	130	60	232	160	392	M16	74	A1
SHFE4 25-200/03	25	50	80	320	360	704	540	800	130	60	260	180	440	M16	78	A1
SHF4 25-200/05	25	50	80	320	360	746	540	800	130	60	260	180	440	M16	80	A2
SHF4 25-250/07	25	50	100	400	450	766	660	1000	170	75	280	225	505	M20	97	A2
SHF4 25-250/11	25	50	100	400	450	811	660	1000	170	75	280	225	505	M20	106	A3
SHF4 25-250/15	25	50	100	400	450	811	660	1000	170	75	280	225	505	M20	108	A3
SHF4 32-125/02A	32	50	80	320	360	704	540	800	130	60	212	140	352	M16	72	A1
SHF4 32-125/02	32	50	80	320	360	704	540	800	130	60	212	140	352	M16	72	A1
SHF4 32-160/02	32	50	80	320	360	704	540	800	130	60	232	160	392	M16	74	A1
SHF4 32-160/03	32	50	80	320	360	704	540	800	130	60	232	160	392	M16	74	A1
SHFE4 32-200/03	32	50	80	320	360	704	540	800	130	60	260	180	440	M16	78	A1
SHF4 32-200/05	32	50	80	320	360	746	540	800	130	60	260	180	440	M16	80	A2
SHF4 32-250/07	32	50	100	400	450	766	660	1000	170	75	280	225	505	M20	97	A2
SHF4 32-250/11	32	50	100	400	450	811	660	1000	170	75	280	225	505	M20	106	A3
SHF4 32-250/15	32	50	100	400	450	811	660	1000	170	75	280	225	505	M20	108	A3
SHF4 40-125/02A	40	65	80	320	360	704	540	800	130	60	212	140	352	M16	57	A1
SHF4 40-125/02	40	65	80	320	360	704	540	800	130	60	212	140	352	M16	57	A1
SHF4 40-125/03	40	65	80	320	360	704	540	800	130	60	212	140	352	M16	58	A1
SHF4 40-160/03	40	65	80	320	360	704	540	800	130	60	232	160	392	M16	60	A1
SHF4 40-160/05	40	65	80	320	360	746	540	800	130	60	232	160	392	M16	62	A2
SHF4 40-200/07	40	65	100	350	390	766	600	900	150	60	260	180	440	M16	69	A2
SHF4 40-200/11	40	65	100	350	390	811	600	900	150	60	260	180	440	M16	78	A3
SHF4 40-250/11	40	65	100	400	450	811	660	1000	170	75	280	225	505	M20	105	A3
SHF4 40-250/15	40	65	100	400	450	811	660	1000	170	75	280	225	505	M20	108	A3
SHF4 40-250/22	40	65	100	400	450	888	660	1000	170	75	280	225	505	M20	131	B1
SHF4 50-125/03A	50	65	100	320	360	724	540	800	130	60	232	160	392	M16	59	A1
SHF4 50-125/03	50	65	100	320	360	724	540	800	130	60	232	160	392	M16	59	A1
SHF4 50-125/05	50	65	100	320	360	766	540	800	130	60	232	160	392	M16	61	A2
SHF4 50-160/07	50	65	100	350	390	766	600	900	150	60	260	180	440	M16	68	A2
SHF4 50-160/11	50	65	100	350	390	811	600	900	150	60	260	180	440	M16	77	A3
SHF4 50-200/11	50	65	100	350	390	811	600	900	150	60	260	200	460	M16	88	A3
SHF4 50-200/15	50	65	100	350	390	811	600	900	150	60	260	200	460	M16	91	A3
SHF4 50-250/22A	50	65	100	400	450	888	660	1000	170	75	280	225	505	M20	132	B1
SHF4 50-250/22	50	65	100	400	450	888	660	1000	170	75	280	225	505	M20	132	B1
SHF4 50-250/30	50	65	100	400	450	888	660	1000	170	75	280	225	505	M20	136	B1
SHF4 65-160/05	65	80	100	350	390	766	600	900	150	75	260	200	460	M16	84	A2
SHF4 65-160/07	65	80	100	350	390	766	600	900	150	75	260	200	460	M16	85	A2
SHF4 65-160/11A	65	80	100	400	450	811	600	1000	170	75	260	200	460	M20	94	A3
SHF4 65-160/11	65	80	100	400	450	811	660	1000	170	75	260	200	460	M20	94	A3
SHF4 65-160/15	65	80	100	400	450	811	660	1000	170	75	260	200	460	M20	97	A3
SHF4 65-200/15	65	80	100	400	450	811	660	1000	170	75	280	225	505	M20	109	A3
SHF4 65-200/22	65	80	100	440	490	888	740	1120	190	75	280	225	505	M20	133	B1
SHF4 65-200/30	65	80	100	440	490	888	740	1120	190	75	280	225	505	M20	137	B1
SHF4 65-250/40	65	80	100	440	490	1031	740	1120	190	90	310	250	550	M20	178	C3
SHF4 65-250/55	65	80	100	440	490	1058	740	1120	190	90	310	250	550	M20	193	C4
SHF4 80-160/15	80	100	125	400	450	836	660	1000	170	75	280	225	505	M20	127	A3
SHF4 80-160/22A	80	100	125	440	490	913	740	1120	190	75	280	225	505	M20	143	B1
SHF4 80-160/22	80	100	125	440	490	913	740	1120	190	75	280	225	505	M20	143	B1
SHF4 80-200/30	80	100	125	440	490	1023	740	1120	190	75	280	250	530	M20	162	C3
SHF4 80-200/40	80	100	125	440	490	1056	740	1120	190	75	280	250	530	M20	171	C3
SHF4 80-250/55	80	100	125	490	540	1083	840	1250	205	90	310	280	590	M20	194	C4
SHF4 80-250/75	80	100	125	490	540	1083	840	1250	205	90	310	280	590	M20	198	C4
SHF4 80-250/110	80	100	125	490	540	1202	840	1250	205	90	310	280	590	M20	256	C5



ITT

Lowara

SHF SC SERIES MOUNTED ON BASE DIMENSIONS AND WEIGHTS





ITT

Lowara

SHF SC SERIES MOUNTED ON BASE DIMENSIONS AND WEIGHTS

PUMP TYPE	DIMENSIONS (mm)															s FOR SCREWS	WEIGHT kg	COUPLING TYPE
	DNM	DNA	a	B1	B2	L1	L2	L3	G	M	h1	h2	Hmax	f	x			
SHF 32-125/07 SC	32	50	80	320	360	845	540	800	130	60	212	140	352	360	100	M16	67	A2S
SHF 32-125/11 SC	32	50	80	320	360	845	540	800	130	60	212	140	352	360	100	M16	69	A2S
SHF 32-160/15 SC	32	50	80	350	390	889	600	900	150	60	232	160	392	360	100	M16	75	A3S
SHF 32-160/22 SC	32	50	80	350	390	889	600	900	150	60	232	160	392	360	100	M16	77	A3S
SHF 32-200/30 SC	32	50	80	350	390	920	600	900	150	60	260	180	440	360	100	M16	97	B1S
SHF 32-200/40 SC	32	50	80	350	390	923	600	900	150	60	260	180	440	360	100	M16	99	B1S
SHF 32-250/55 SC	32	50	100	440	490	1007	740	1120	190	75	280	225	505	360	100	M20	132	C1S
SHF 32-250/75 SC	32	50	100	440	490	1007	740	1120	190	75	280	225	505	360	100	M20	136	C1S
SHF 32-250/110 SC	32	50	100	490	540	1164	840	1250	205	75	280	225	520	360	100	M20	183	C2S
SHF 40-125/11 SC	40	65	80	350	390	845	600	900	150	60	212	140	352	360	100	M16	70	A2S
SHF 40-125/15 SC	40	65	80	350	390	889	600	900	150	60	212	140	352	360	100	M16	76	A3S
SHF 40-125/22 SC	40	65	80	350	390	889	600	900	150	60	212	140	352	360	100	M16	79	A3S
SHF 40-160/30 SC	40	65	80	350	390	920	600	900	150	60	232	160	392	360	100	M16	94	B1S
SHF 40-160/40 SC	40	65	80	350	390	923	600	900	150	60	232	160	400	360	100	M16	98	B1S
SHF 40-200/55 SC	40	65	100	400	450	1007	660	1000	170	60	260	180	451	360	100	M20	125	C1S
SHF 40-200/75 SC	40	65	100	400	450	1007	660	1000	170	60	260	180	451	360	100	M20	130	C1S
SHF 40-250/110A SC	40	65	100	490	540	1164	840	1250	205	75	280	225	520	360	100	M20	169	C2S
SHF 40-250/110 SC	40	65	100	490	540	1164	840	1250	205	75	280	225	520	360	100	M20	172	C2S
SHF 40-250/150 SC	40	65	100	490	540	1164	840	1250	205	75	280	225	520	360	100	M20	177	C2S
SHF 50-125/22 SC	50	65	100	350	390	909	600	900	150	60	232	160	392	360	100	M16	86	A3S
SHF 50-125/30 SC	50	65	100	350	390	940	600	900	150	60	232	160	392	360	100	M16	94	B1S
SHF 50-125/40 SC	50	65	100	350	390	943	600	900	150	60	232	160	400	360	100	M16	97	B1S
SHF 50-160/55 SC	50	65	100	400	450	1007	660	1000	170	60	260	180	451	360	100	M20	122	C1S
SHF 50-160/75 SC	50	65	100	400	450	1007	660	1000	170	60	260	180	451	360	100	M20	124	C1S
SHF 50-200/110A SC	50	65	100	440	490	1164	740	1120	190	60	260	200	500	360	100	M20	147	C2S
SHF 50-200/110 SC	50	65	100	440	490	1164	740	1120	190	60	260	200	500	360	100	M20	152	C2S
SHF 50-250/150 SC	50	65	100	490	540	1164	840	1250	205	75	280	225	520	360	100	M20	167	C2S
SHF 50-250/185 SC	50	65	100	490	540	1164	840	1250	205	75	280	225	520	360	100	M20	172	C2S
SHF 50-250/220 SC	50	65	100	490	540	1208	840	1250	205	75	280	225	538	360	100	M20	182	D1S
SHF 65-160/40 SC	65	80	100	400	450	943	660	1000	170	75	260	200	460	360	100	M20	135	B1S
SHF 65-160/55 SC	65	80	100	440	490	1007	740	1120	190	75	260	200	460	360	100	M20	152	C1S
SHF 65-160/75 SC	65	80	100	440	490	1007	740	1120	190	75	260	200	460	360	100	M20	156	C1S
SHF 65-160/110A SC	65	80	100	490	540	1164	840	1250	205	75	260	200	500	360	100	M20	164	C2S
SHF 65-160/110 SC	65	80	100	490	540	1164	840	1250	205	75	260	200	500	360	100	M20	164	C2S
SHF 65-200/150 SC	65	80	100	490	540	1164	840	1250	205	75	280	225	520	360	100	M20	187	C2S
SHF 65-200/185 SC	65	80	100	490	540	1164	840	1250	205	75	280	225	520	360	100	M20	192	C2S
SHF 65-200/220 SC	65	80	100	490	540	1208	840	1250	205	75	280	225	538	360	100	M20	210	D1S
SHF 65-250/300 SC	65	80	100	550	610	1433	940	1400	230	90	310	250	588	470	140	M24	274	E1S
SHF 65-250/370 SC	65	80	100	550	610	1433	940	1400	230	90	310	250	588	470	140	M24	299	E1S
SHF 80-160/110 SC	80	100	125	490	540	1189	840	1250	205	75	280	225	520	360	100	M20	200	C2S
SHF 80-160/150 SC	80	100	125	490	540	1189	840	1250	205	75	280	225	520	360	100	M20	211	C2S
SHF 80-160/185 SC	80	100	125	490	540	1189	840	1250	205	75	280	225	520	360	100	M20	222	C2S
SHF 80-200/220 SC	80	100	125	490	540	1343	840	1250	205	75	280	250	538	470	100	M20	238	D2S
SHF 80-200/300 SC	80	100	125	550	610	1458	940	1400	230	75	310	250	588	470	140	M24	280	E1S
SHF 80-200/370 SC	80	100	125	550	610	1458	940	1400	230	75	310	250	588	470	140	M24	298	E1S
SHF 80-250/450 SC	80	100	125	550	610	1535	940	1400	230	90	365	280	663	470	140	M24	358	E1S
SHF 80-250/550 SC	80	100	125	600	660	1565	1060	1600	270	90	390	280	688	470	140	M24	399	F1S
SHF 80-250/750 SC	80	100	125	670	730	1695	1200	1800	300	90	420	280	780	470	140	M24	411	G1S

sh-shf-sc-2p50-en_c_ld



ITT

Lowara



ITT

Lowara

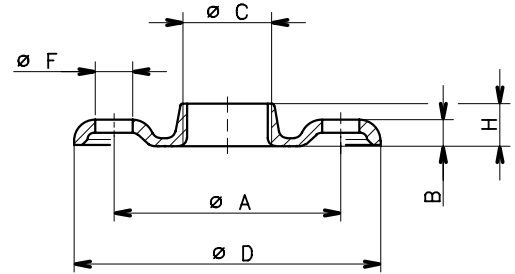
ACCESSORIES



DIMENSIONS OF ROUND THREADED COUNTERFLANGES ACCORDING TO EN 1092-1

DN	ø C	DIMENSIONS (mm)				HOLES		PN
		ø A	B	ø D	H	ø F	N°	
25	Rp 1	85	10	115	16	14	4	16
32	Rp 1¼	100	13	140	16	18	4	16
40	Rp 1½	110	14	150	19	18	4	16
50	Rp 2	125	16	165	24	18	4	16
65	Rp 2½	145	16	185	23	18	4	16
80	Rp 3	160	17	200	27	18	8	16
100	Rp 4	180	18	220	31	18	8	16

sh-ctf-tonde-f-en_b_td

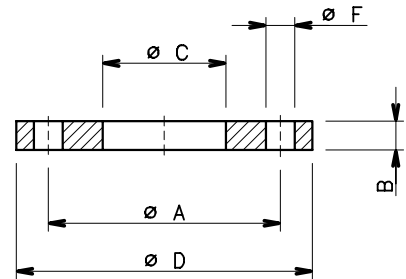


04430_B_DD

DIMENSIONS OF ROUND WELD-ON COUNTERFLANGES ACCORDING TO EN 1092-1

DN	ø C	DIMENSIONS (mm)			HOLES		PN
		ø A	B	ø D	ø F	N°	
65	77	145	18	185	18	4	16
80	90	160	20	200	18	8	16
100	115,5	180	22	220	18	8	16

sh-ctf-tonde-s-en_b_td

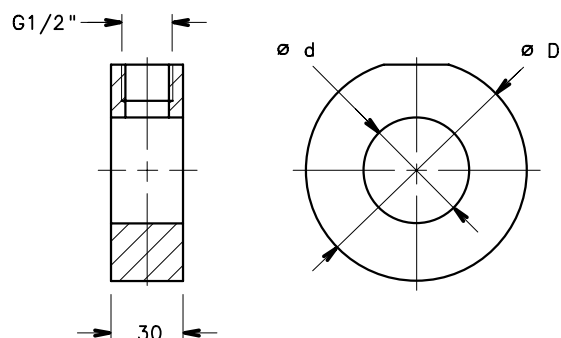


04431_A_DD

AISI 304 FLANGE WITH PRESSURE GAUGE CONNECTOR

DESIGNATION	DIMENSIONS (mm)	
	d	D
25	29	70
32	36	82
40	44	92
50	54	107
65	69	127
80	85	142
100	105	162

fh-fla-manom-en_a_td



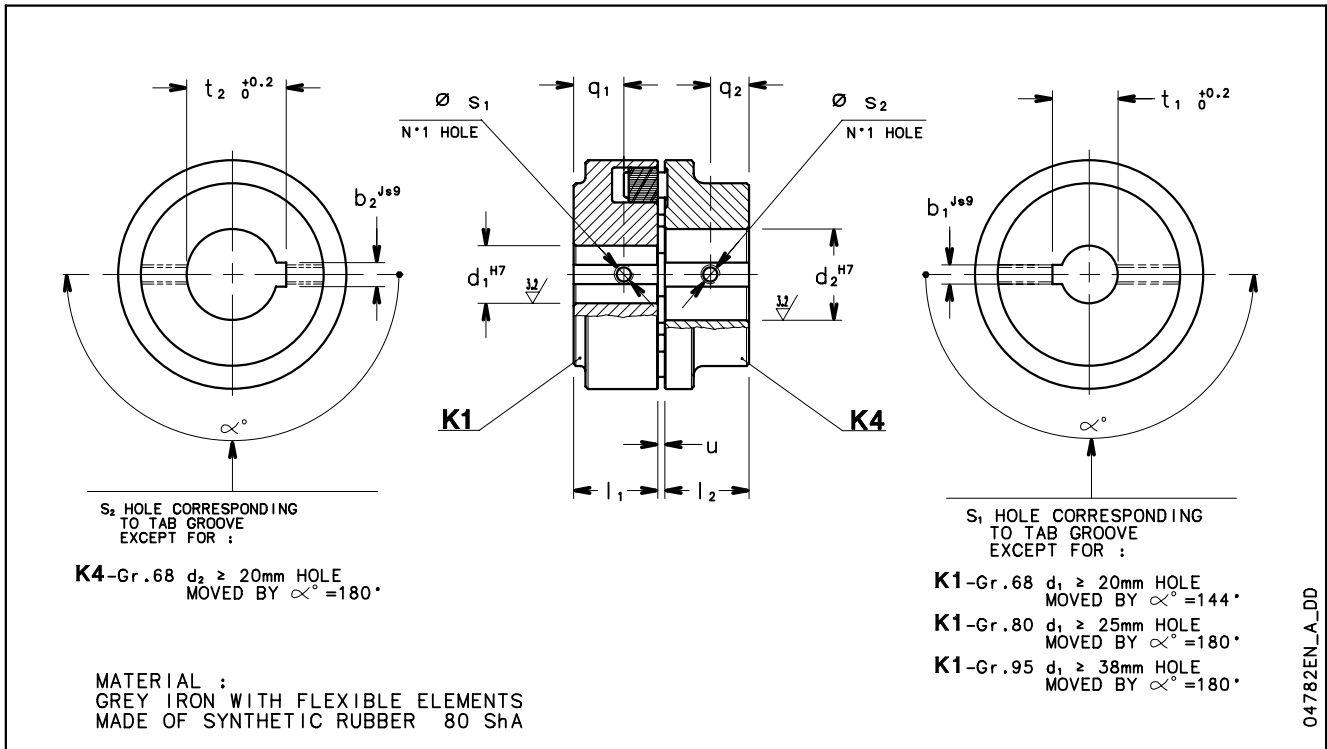
04781_A_DD



ITT

Lowara

FLEXIBLE COUPLING DIMENSIONS



04782EN_A_DD

REF.	DENOMINATION	DIMENSIONS (mm)												
		K1						K4						
		PUMP-SIDE HALF COUPLING						MOTOR-SIDE HALF COUPLING						
SIZE x d_1 x d_2	d_1^{H7}	l_1	b_1^{js9}	$t_1^{+0.2}$	s_1	q_1	u	d_2^{H7}	l_2	b_2^{js9}	$t_2^{+0.2}$	s_2	q_2	
A1	B 68 x 24 x 14	24	20	8	27,3	M6	10	2 ÷ 4	14	20	5	16,3	M6	8
A2	B 68 x 24 x 19	24	20	8	27,3	M6	10	2 ÷ 4	19	20	6	21,8	M6	8
A3	B 68 x 24 x 24	24	20	8	27,3	M6	10	2 ÷ 4	24	20	8	27,3	M6	8
B1	B 80 x 24 x 28	24	30	8	27,3	M6	19	2 ÷ 4	28	30	8	31,3	M6	12
C1	B 95 x 24 x 38	24	35	8	27,3	M6	20	2 ÷ 4	38	35	10	41,3	M6	15
C2	B 95 x 24 x 42	24	35	8	27,3	M6	20	2 ÷ 4	42	35	12	45,3	M6	15
C3	B 95 x 32 x 28	32	35	10	35,3	M6	20	2 ÷ 4	28	35	8	31,3	M6	15
C4	B 95 x 32 x 38	32	35	10	35,3	M6	20	2 ÷ 4	38	35	10	41,3	M6	15
C5	B 95 x 32 x 42	32	35	10	35,3	M6	20	2 ÷ 4	42	35	12	45,3	M6	15
D1	B 110 x 24 x 48	24	40	8	27,3	M6	22	2 ÷ 4	48	40	14	51,8	M6	18
D2	B 110 x 32 x 48	32	40	10	35,3	M6	22	2 ÷ 4	48	40	14	51,8	M6	18
E1	B 125 x 32 x 55	32	50	10	35,3	M8	30	2 ÷ 4	55	50	16	59,3	M8	20
F1	B 140 x 32 x 60	32	55	10	35,3	M8	13	2 ÷ 4	60	55	18	64,4	M8	22
G1	B 160 x 32 x 65	32	60	10	35,3	M10	13	2 ÷ 6	65	60	18	69,4	M10	25

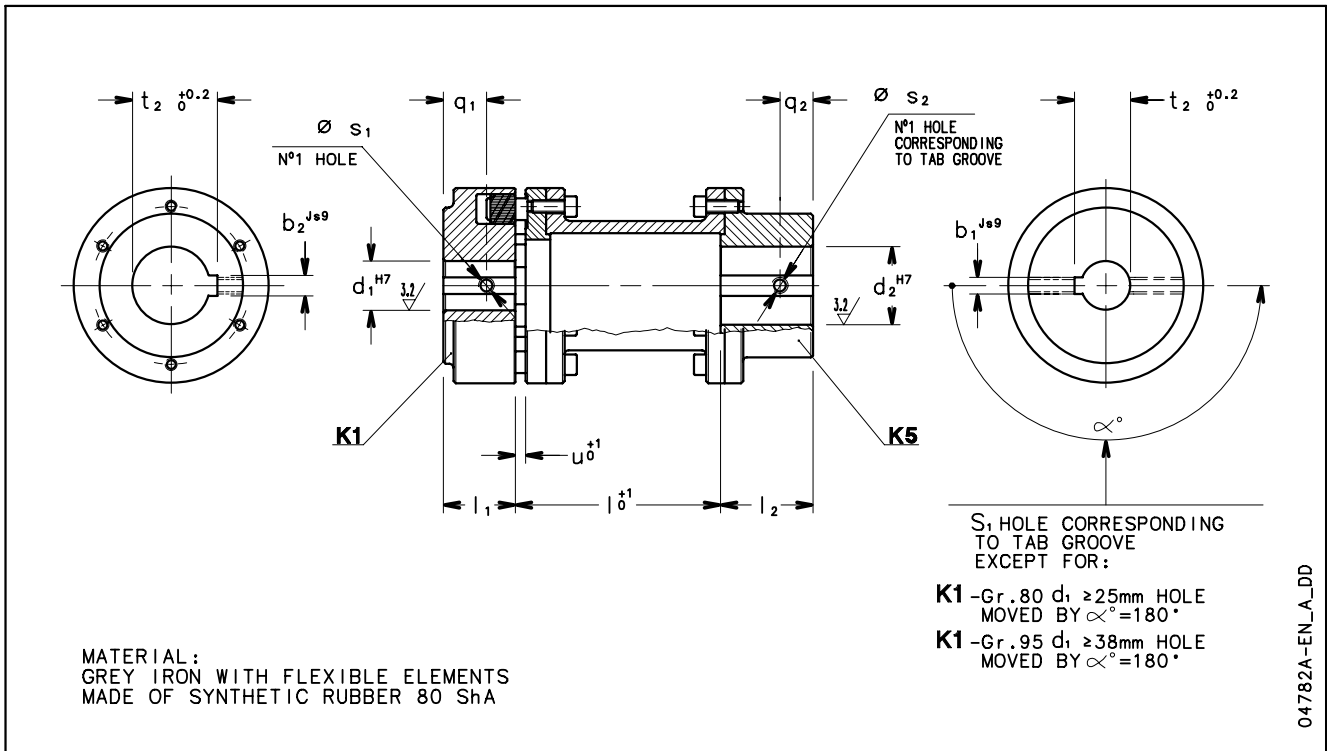
shf-giunto-elastico-en_c_td



ITT

Lowara

SPACER COUPLING DIMENSIONS

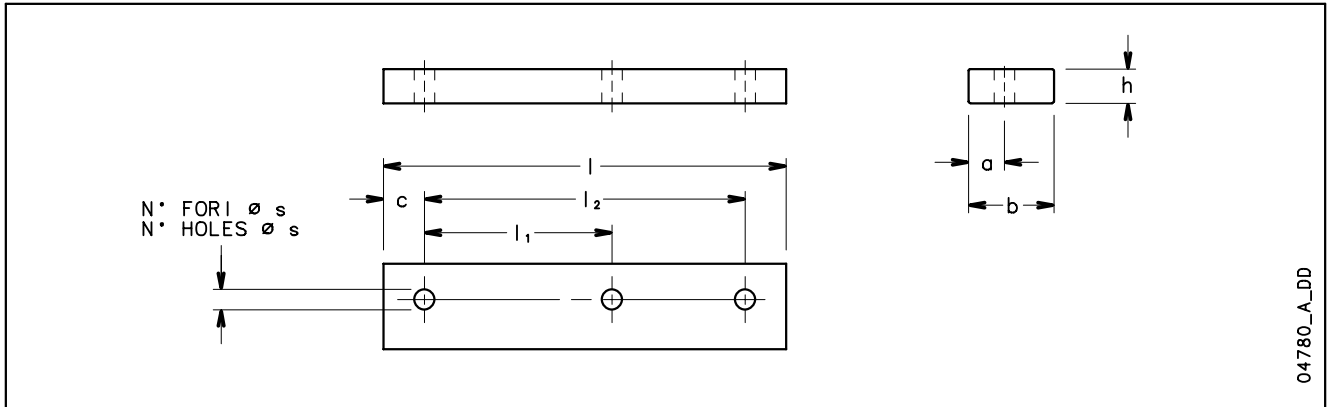


REF.	DENOMINATION	DIMENSIONS (mm)													
		K1							K5						
		PUMP-SIDE HALF COUPLING							MOTOR-SIDE HALF COUPLING						
SIXE x l x d ₁ x d ₂	l ₀ ⁺¹	d ₁ ^{H7}	l ₁	b ₁ ^{js9}	t ₁ ^{+0.2}	s ₁	q ₁	u	d ₂ ^{H7}	l ₂	b ₂ ^{js9}	t ₂ ^{+0.2}	s ₂	q ₂	
A2S	H 80-100 x 24 x 19	100	24	30	8	27,3	M6	19	5	19	45	6	21,8	M6	15
A3S	H 80-100 x 24 x 24	100	24	30	8	27,3	M6	19	5	24	45	8	27,3	M6	15
B1S	H 80-100 x 24 x 28	100	24	30	8	27,3	M6	19	5	28	45	8	31,3	M6	15
C1S	H 95-100 x 24 x 38	100	24	35	8	27,3	M6	20	5	38	45	10	41,3	M6	20
C2S	H 95-100 x 24 x 42	100	24	35	8	27,3	M6	20	5	42	45	12	45,3	M6	20
D1S	H 110-100 x 24 x 48	100	24	40	8	27,3	M6	22	5	48	50	14	51,8	M6	25
D2S	H 110-100 x 32 x 48	100	32	40	10	35,3	M6	22	5	48	50	14	51,8	M6	25
E1S	H 125-140 x 32 x 55	140	32	50	10	35,3	M8	30	5	55	50	16	59,3	M8	25
F1S	H 140-140 x 32 x 60	140	32	55	10	35,3	M8	13	5	60	65	18	64,4	M8	30
G1S	H 160-140 x 32 x 65	140	32	60	10	35,3	M10	13	6	65	70	18	69,4	M10	35

sh-giunto-elastico-con-sp-en_c_td



MOTOR SHIM FOR SHS-SHF VERSIONS



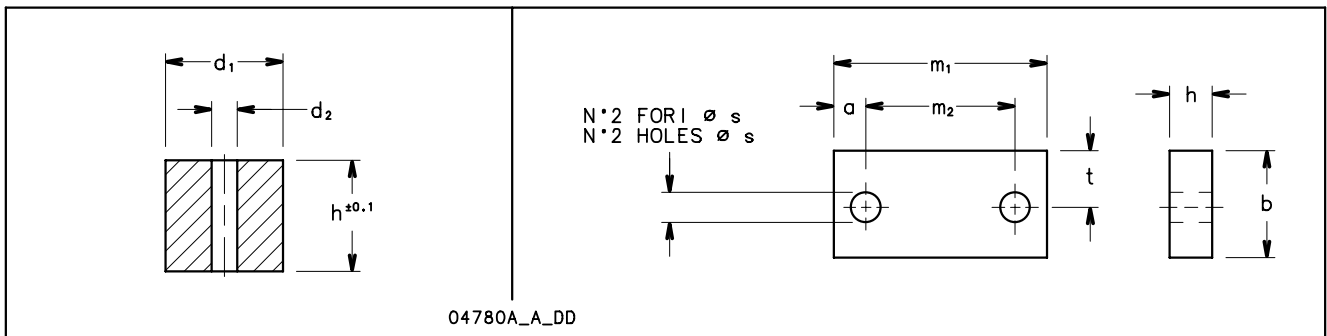
04780_A_DD

DENOMINATION					DIMENSIONS (mm)				HOLES	
b	x	h	x	l	a	l ₁	l ₂	c	N°	ø s
35	12	125			17	100	-	12,5	2	10
35	20	125			17	100	-	12,5	2	10
40	8	180			17	140	-	20	2	14
40	10	155			20	100	125	15	3	10
40	12	155			20	100	125	15	3	10
40	12	180			17	140	-	20	2	14
40	20	180			17	140	-	20	2	14
40	30	155			20	100	125	15	3	10
40	40	180			17	140	-	20	2	14
50	8	226			21	140	178	24	3	14
50	20	226			21	140	178	24	3	14
50	20	304			25	210	254	25	3	16
50	30	304			25	210	254	25	3	16
80	30	360			26,5	-	311	24,5	2	18
90	30	406			30	-	349	28,5	2	22

sp-piatti-mot-shf-en_c_td

CYLINDRICAL MOTOR SHIM

PUMP SHIM



04780A_A_DD

DIMENSIONS (mm)			
DESIGNATION			
d ₁	x	h	d ₂
45		41	10
45		61	10
45		89	10
55		52	12
55		70	12
55		80	12
55		90	12
55		100	12
65		60	16
65		68	16
65		78	16
65		80	16
65		88	16

sp-tondi-mot-shf-en_b_td

DIMENSIONS (mm)								
DESIGNATION								
b	x	h	x	m ₁	a	m ₂	ø s	t
40	10	160			25	110	14	16,5
40	20	160			25	110	14	16,5
40	25	160			25	110	14	16,5
40	30	160			25	110	14	16,5
70	20	125			15	95	14	37,5
80	10	160			20	120	18	42,5
80	25	160			20	120	18	42,5
80	30	160			20	120	18	42,5

sp-pompa-shf-en_b_td



ITT

Lowara



ITT

Lowara

TECHNICAL APPENDIX

TYPICAL APPLICATIONS OF SH SERIES ELECTRIC PUMPS*Water Purification:*

De-ionized water
Water Treatment
Filtration
Commercial Pools

Food and Drink:

Food processing
Bottle washing
Citrus Processing
Dish washing
Brewing
Sanitary ware

Medical:

Laser cooling
Medical chillers
Sanitary equipment

*Heating, Ventilating &
Air Conditioning (HVAC)*

Condensate return
Air scrubbers
Water re-circulation
Cooling towers
Cooling systems
Temperature control
Chillaer
Induction heating
Heat exchangers
Water heating
Booster packages

Graphics:

Film washing
Cooling of presses

Plastics:

Extrusion machines
Temperature control
Manufacture of polymers

Waste Management:

Waste treatment
Pollution control

Machine Tools:

Degreasing
Parts washing
Machine centres
Chemical treatment
Heat treatment

Vehicle Maintenance:

Car washing
Lorry or Truck wash
Wheel or tyre washing
Airplane washing

Marine:

Water on board ships
Boat design (wave machines)

Agriculture:

Irrigation
Greenhouses
Poultry Washing
Cotton humidifiers

Computers:

Washing of circuit boards

Laundry:

Commercial washing

General Industry:

Spray Booths
Light chemical transfer
Booster systems
Fire fighting

NPSH

The minimum operating values that can be reached at the pump suction end are limited by the onset of cavitation.

Cavitation is the formation of vapour-filled cavities within liquids where the pressure is locally reduced to a critical value, or where the local pressure is equal to, or just below the vapour pressure of the liquid.

The vapour-filled cavities flow with the current and when they reach a higher pressure area the vapour contained in the cavities condenses. The cavities collide, generating pressure waves that are transmitted to the walls. These, being subjected to stress cycles, gradually become deformed and yield due to fatigue. This phenomenon, characterized by a metallic noise produced by the hammering on the pipe walls, is called incipient cavitation.

The damage caused by cavitation may be magnified by electrochemical corrosion and a local rise in temperature due to the plastic deformation of the walls. The materials that offer the highest resistance to heat and corrosion are alloy steels, especially austenitic steel. The conditions that trigger cavitation may be assessed by calculating the total net suction head, referred to in technical literature with the acronym NPSH (Net Positive Suction Head).

The NPSH represents the total energy (expressed in m.) of the liquid measured at suction under conditions of incipient cavitation, excluding the vapour pressure (expressed in m.) that the liquid has at the pump inlet.

To find the static height h_z at which to install the machine under safe conditions, the following formula must be verified:

$$h_p + h_z \geq (\text{NPSH}_r + 0.5) + h_f + h_{pv} \quad \textcircled{1}$$

where:

- h_p** is the absolute pressure applied to the free liquid surface in the suction tank, expressed in m. of liquid; h_p is the quotient between the barometric pressure and the specific weight of the liquid.
- h_z** is the suction lift between the pump axis and the free liquid surface in the suction tank, expressed in m.; h_z is negative when the liquid level is lower than the pump axis.
- h_f** is the flow resistance in the suction line and its accessories, such as: fittings, foot valve, gate valve, elbows, etc.
- h_{pv}** is the vapour pressure of the liquid at the operating temperature, expressed in m. of liquid. h_{pv} is the quotient between the Pv vapour pressure and the liquid's specific weight.
- 0,5** is the safety factor.

The maximum possible suction head for installation depends on the value of the atmospheric pressure (i.e. the elevation above sea level at which the pump is installed) and the temperature of the liquid.

To help the user, with reference to water temperature (4° C) and to the elevation above sea level, the following tables show the drop in hydraulic pressure head in relation to the elevation above sea level, and the suction loss in relation to temperature.

Water temperature (°C)	20	40	60	80	90	110	120
Suction loss (m)	0,2	0,7	2,0	5,0	7,4	15,4	21,5

Elevation above sea level (m)	500	1000	1500	2000	2500	3000
Suction loss (m)	0,55	1,1	1,65	2,2	2,75	3,3

Friction loss is shown in the tables at pages 99-100 of this catalogue. To reduce it to a minimum, especially in cases of high suction head (over 4-5 m.) or within the operating limits with high flow rates, we recommend using a suction line having a larger diameter than that of the pump's suction port. It is always a good idea to position the pump as close as possible to the liquid to be pumped.

Make the following calculation:

Liquid: water at ~15°C $\gamma = 1 \text{ kg/dm}^3$

Flow rate required: 30 m³/h

Head for required delivery: 43 m.

Suction lift: 3,5 m.

The selection is an FHE 40-200/75 pump whose NPSH required value is, at 30 m³/h, di 2,5 m.

For water at 15 °C

$$h_p = P_a / \gamma = 10,33\text{m}, h_{pv} = P_v / \gamma = 0,174\text{m} (0,01701 \text{ bar})$$

The H_f flow resistance in the suction line with foot valves is ~ 1,2 m.

By substituting the parameters in formula $\textcircled{1}$ with the numeric values above, we have:

$$10,33 + (-3,5) \geq (2,5 + 0,5) + 1,2 + 0,17$$

from which we have: 6,8 > 4,4

The relation is therefore verified.



TECHNICAL APPENDIX VAPOUR PRESSURE PS VAPOUR PRESSURE AND ρ DENSITY OF WATER TABLE

t °C	T K	ps bar	ρ kg/dm ³	t °C	T K	ps bar	ρ kg/dm ³	t °C	T K	ps bar	ρ kg/dm ³
0	273,15	0,00611	0,9998	55	328,15	0,15741	0,9857	120	393,15	1,9854	0,9429
1	274,15	0,00657	0,9999	56	329,15	0,16511	0,9852	122	395,15	2,1145	0,9412
2	275,15	0,00706	0,9999	57	330,15	0,17313	0,9846	124	397,15	2,2504	0,9396
3	276,15	0,00758	0,9999	58	331,15	0,18147	0,9842	126	399,15	2,3933	0,9379
4	277,15	0,00813	1,0000	59	332,15	0,19016	0,9837	128	401,15	2,5435	0,9362
5	278,15	0,00872	1,0000	60	333,15	0,1992	0,9832	130	403,15	2,7013	0,9346
6	279,15	0,00935	1,0000	61	334,15	0,2086	0,9826	132	405,15	2,867	0,9328
7	280,15	0,01001	0,9999	62	335,15	0,2184	0,9821	134	407,15	3,041	0,9311
8	281,15	0,01072	0,9999	63	336,15	0,2286	0,9816	136	409,15	3,223	0,9294
9	282,15	0,01147	0,9998	64	337,15	0,2391	0,9811	138	411,15	3,414	0,9276
10	283,15	0,01227	0,9997	65	338,15	0,2501	0,9805	140	413,15	3,614	0,9258
11	284,15	0,01312	0,9997	66	339,15	0,2615	0,9799	145	418,15	4,155	0,9214
12	285,15	0,01401	0,9996	67	340,15	0,2733	0,9793	155	428,15	5,433	0,9121
13	286,15	0,01497	0,9994	68	341,15	0,2856	0,9788	160	433,15	6,181	0,9073
14	287,15	0,01597	0,9993	69	342,15	0,2984	0,9782	165	438,15	7,008	0,9024
15	288,15	0,01704	0,9992	70	343,15	0,3116	0,9777	170	443,15	7,920	0,8973
16	289,15	0,01817	0,9990	71	344,15	0,3253	0,9770	175	448,15	8,924	0,8921
17	290,15	0,01936	0,9988	72	345,15	0,3396	0,9765	180	453,15	10,027	0,8869
18	291,15	0,02062	0,9987	73	346,15	0,3543	0,9760	185	458,15	11,233	0,8815
19	292,15	0,02196	0,9985	74	347,15	0,3696	0,9753	190	463,15	12,551	0,8760
20	293,15	0,02337	0,9983	75	348,15	0,3855	0,9748	195	468,15	13,987	0,8704
21	294,15	0,24850	0,9981	76	349,15	0,4019	0,9741	200	473,15	15,550	0,8647
22	295,15	0,02642	0,9978	77	350,15	0,4189	0,9735	205	478,15	17,243	0,8588
23	296,15	0,02808	0,9976	78	351,15	0,4365	0,9729	210	483,15	19,077	0,8528
24	297,15	0,02982	0,9974	79	352,15	0,4547	0,9723	215	488,15	21,060	0,8467
25	298,15	0,03166	0,9971	80	353,15	0,4736	0,9716	220	493,15	23,198	0,8403
26	299,15	0,03360	0,9968	81	354,15	0,4931	0,9710	225	498,15	25,501	0,8339
27	300,15	0,03564	0,9966	82	355,15	0,5133	0,9704	230	503,15	27,976	0,8273
28	301,15	0,03778	0,9963	83	356,15	0,5342	0,9697	235	508,15	30,632	0,8205
29	302,15	0,04004	0,9960	84	357,15	0,5557	0,9691	240	513,15	33,478	0,8136
30	303,15	0,04241	0,9957	85	358,15	0,5780	0,9684	245	518,15	36,523	0,8065
31	304,15	0,04491	0,9954	86	359,15	0,6011	0,9678	250	523,15	39,776	0,7992
32	305,15	0,04753	0,9951	87	360,15	0,6249	0,9671	255	528,15	43,246	0,7916
33	306,15	0,05029	0,9947	88	361,15	0,6495	0,9665	260	533,15	46,943	0,7839
34	307,15	0,05318	0,9944	89	362,15	0,6749	0,9658	265	538,15	50,877	0,7759
35	308,15	0,05622	0,9940	90	363,15	0,7011	0,9652	270	543,15	55,058	0,7678
36	309,15	0,05940	0,9937	91	364,15	0,7281	0,9644	275	548,15	59,496	0,7593
37	310,15	0,06274	0,9933	92	365,15	0,7561	0,9638	280	553,15	64,202	0,7505
38	311,15	0,06624	0,9930	93	366,15	0,7849	0,9630	285	558,15	69,186	0,7415
39	312,15	0,06991	0,9927	94	367,15	0,8146	0,9624	290	563,15	74,461	0,7321
40	313,15	0,07375	0,9923	95	368,15	0,8453	0,9616	295	568,15	80,037	0,7223
41	314,15	0,07777	0,9919	96	369,15	0,8769	0,9610	300	573,15	85,927	0,7122
42	315,15	0,08198	0,9915	97	370,15	0,9094	0,9602	305	578,15	92,144	0,7017
43	316,15	0,09639	0,9911	98	371,15	0,9430	0,9596	310	583,15	98,70	0,6906
44	317,15	0,09100	0,9907	99	372,15	0,9776	0,9586	315	588,15	105,61	0,6791
45	318,15	0,09582	0,9902	100	373,15	1,0133	0,9581	320	593,15	112,89	0,6669
46	319,15	0,10086	0,9898	102	375,15	1,0878	0,9567	325	598,15	120,56	0,6541
47	320,15	0,10612	0,9894	104	377,15	1,1668	0,9552	330	603,15	128,63	0,6404
48	321,15	0,11162	0,9889	106	379,15	1,2504	0,9537	340	613,15	146,05	0,6102
49	322,15	0,11736	0,9884	108	381,15	1,3390	0,9522	350	623,15	165,35	0,5743
50	323,15	0,12335	0,9880	110	383,15	1,4327	0,9507	360	633,15	186,75	0,5275
51	324,15	0,12961	0,9876	112	385,15	1,5316	0,9491	370	643,15	210,54	0,4518
52	325,15	0,13613	0,9871	114	387,15	1,6362	0,9476	374,15	647,30	221,20	0,3154
53	326,15	0,14293	0,9862	116	389,15	1,7465	0,9460				
54	327,15	0,15002	0,9862	118	391,15	1,8628	0,9445				

G-at_nps_h_a_sc



ITT

Lowara

TABLE OF FLOW RESISTANCE IN 100 m OF STRAIGHT CAST IRON PIPELINE (HAZEN-WILLIAMS FORMULA C=100)

FLOW RATE		NOMINAL DIAMETER in mm and INCHES																	
m ³ /h	l/min	15	20	25	32	40	50	65	80	100	125	150	175	200	250	300	350	400	
		1/2"	3/4"	1"	1 1/4"	1 1/2"	2	2 1/2"	3"	4"	5"	6"	7"	8"	10"	12"	14"	16"	
0,6	10	v hr	0,94 16	0,53 3,94	0,34 1,33	0,21 0,40	0,13 0,13												
0,9	15	v hr	1,42 33,9	0,80 8,35	0,51 2,82	0,31 0,85	0,20 0,29												
1,2	20	v hr	1,89 57,7	1,06 14,21	0,68 4,79	0,41 1,44	0,27 0,49	0,17 0,16											
1,5	25	v hr	2,36 87,2	1,33 21,5	0,85 7,24	0,52 2,18	0,33 0,73	0,21 0,25											
1,8	30	v hr	2,83 122	1,59 30,1	1,02 10,1	0,62 3,05	0,40 1,03	0,25 0,35											
2,1	35	v hr	3,30 162	1,86 40,0	1,19 13,5	0,73 4,06	0,46 1,37	0,30 0,46											
2,4	40	v hr		2,12 51,2	1,36 17,3	0,83 5,19	0,53 1,75	0,34 0,59	0,20 0,16										
3	50	v hr		2,65 77,4	1,70 26,1	1,04 7,85	0,66 2,65	0,42 0,89	0,25 0,25										
3,6	60	v hr		3,18 108	2,04 36,6	1,24 11,0	0,80 3,71	0,51 1,25	0,30 0,35										
4,2	70	v hr		3,72 144	2,38 48,7	1,45 14,6	0,93 4,93	0,59 1,66	0,35 0,46										
4,8	80	v hr		4,25 185	2,72 62,3	1,66 18,7	1,06 6,32	0,68 2,13	0,40 0,59										
5,4	90	v hr			3,06 77,5	1,87 23,3	1,19 7,85	0,76 2,65	0,45 0,74	0,30 0,27									
6	100	v hr			3,40 94,1	2,07 28,3	1,33 9,54	0,85 3,22	0,50 0,90	0,33 0,33									
7,5	125	v hr			4,25 142	2,59 42,8	1,66 14,4	1,06 4,86	0,63 1,36	0,41 0,49									
9	150	v hr				3,11 59,9	1,99 20,2	1,27 6,82	0,75 1,90	0,50 0,69	0,32 0,23								
10,5	175	v hr				3,63 79,7	2,32 26,9	1,49 9,07	0,88 2,53	0,58 0,92	0,37 0,31								
12	200	v hr				4,15 102	2,65 34,4	1,70 11,6	1,01 3,23	0,66 1,18	0,42 0,40								
15	250	v hr				5,18 154	3,32 52,0	2,12 17,5	1,26 4,89	0,83 1,78	0,53 0,60	0,34 0,20							
18	300	v hr				3,98 72,8	2,55 24,6	1,51 6,85	1,00 2,49	0,64 0,84	0,41 0,28								
24	400	v hr				5,31 124	3,40 41,8	2,01 11,66	1,33 4,24	0,85 1,43	0,54 0,48	0,38 0,20							
30	500	v hr				6,63 187	4,25 63,2	2,51 17,6	1,66 6,41	1,06 2,16	0,68 0,73	0,47 0,30							
36	600	v hr				5,10 88,6	3,02 24,7	1,99 8,98	1,27 3,03	0,82 1,02	0,57 0,42	0,42 0,20							
42	700	v hr				5,94 118	3,52 32,8	2,32 11,9	1,49 4,03	0,95 1,36	0,66 0,56	0,49 0,26							
48	800	v hr				6,79 151	4,02 42,0	2,65 15,3	1,70 5,16	1,09 1,74	0,75 0,72	0,55 0,34							
54	900	v hr				7,64 188	4,52 52,3	2,99 19,0	1,91 6,41	1,22 2,16	0,85 0,89	0,62 0,42							
60	1000	v hr				5,03 63,5	3,32 23,1	2,12 7,79	1,26 2,63	0,83 1,08	0,53 0,51	0,34 0,20							
75	1250	v hr				6,28 96,0	4,15 34,9	2,65 11,8	1,70 3,97	1,18 1,63	0,87 0,77	0,66 0,40							
90	1500	v hr				7,54 134	4,98 48,9	3,18 16,5	2,04 5,57	1,42 2,29	1,04 1,08	0,80 0,56							
105	1750	v hr				8,79 179	5,81 65,1	3,72 21,9	2,38 7,40	1,65 3,05	1,21 1,44	0,93 0,75							
120	2000	v hr				6,63 83,3	4,25 28,1	2,72 9,48	1,89 3,90	1,39 1,84	1,06 0,96	0,68 0,32							
150	2500	v hr				8,29 126	5,31 42,5	3,40 14,3	2,36 5,89	1,73 2,78	1,33 1,45	0,85 0,49							
180	3000	v hr				59,5	59,5	20,1	8,26	2,83	2,08	1,59	1,02	0,69	0,71	0,28			
210	3500	v hr				79,1	79,1	26,7	11,0	3,30	2,43	1,86	1,19	0,83	0,38				
240	4000	v hr				101	101	34,2	14,1	3,77	2,77	2,12	1,36	0,94	0,48				
300	5000	v hr						6,79	4,72	3,47	2,65	1,70	1,18	0,73					
360	6000	v hr						8,15	5,66	4,16	3,18	2,04	1,42	1,02					
420	7000	v hr						72,3	29,8	14,1	7,33	2,47	1,70	1,21	0,64				
480	8000	v hr							6,61	4,85	3,72	2,38	1,65	1,21	0,82	1,21	0,64		
540	9000	v hr							7,55	5,55	4,25	2,72	1,89	1,39	0,82	1,39	0,82		
600	10000	v hr							8,49	6,24	4,78	3,06	2,12	1,56	1,19	1,56	1,19	0,53	
		v hr							63,0	29,8	15,5	5,24	2,16	1,02	0,73	1,73	1,33	0,65	
		v hr							6,93	5,31	3,40	2,36	1,73	1,33	0,85	0,49	0,71	0,28	
		v hr							36,2	18,9	6,36	2,62	1,73	1,33	0,85	0,49	0,71	0,28	

G-at-pct_a_th

hr = flow resistance for 100m of straight pipeline (m)
V = water speed (m/s)

FLOW RESISTANCE
TABLE OF FLOW RESISTANCE IN BENDS, VALVES AND GATES

The flow resistance is calculated using the equivalent pipeline length method according to the table below:

ACCESSORY TYPE	DN											
	25	32	40	50	65	80	100	125	150	200	250	300
	Equivalent pipeline length (m)											
45° bend	0,2	0,2	0,4	0,4	0,6	0,6	0,9	1,1	1,5	1,9	2,4	2,8
90° bend	0,4	0,6	0,9	1,1	1,3	1,5	2,1	2,6	3,0	3,9	4,7	5,8
90° smooth bend	0,4	0,4	0,4	0,6	0,9	1,1	1,3	1,7	1,9	2,8	3,4	3,9
Union tee or cross	1,1	1,3	1,7	2,1	2,6	3,2	4,3	5,3	6,4	7,5	10,7	12,8
Gate	-	-	-	0,2	0,2	0,2	0,4	0,4	0,6	0,9	1,1	1,3
Non return valve	1,1	1,5	1,9	2,4	3,0	3,4	4,7	5,9	7,4	9,6	11,8	13,9

G-a-pcv_a_th

The table is valid for the Hazen Williams coefficient $C = 100$ (cast iron pipework). For steel pipework, multiply the values by 1.41. For stainless steel, copper and coated cast iron pipework, multiply the values by 1.85.

When the **equivalent pipeline length** has been determined, the flow resistance is obtained from the table of flow resistance.

The values given are guideline values which are bound to vary slightly according to the model, especially for gate valves and non-return valves, for which it is a good idea to check the values supplied by the manufacturers.

VOLUMETRIC CAPACITY

Litres per minute l/min	Cubic metres per hour m ³ /h	Cubic feet per hour ft ³ /h	Cubic feet per minute ft ³ /min	Imp. gal. per minute Imp. gal./min	US gal. per minute Us gal./min
1,0000	0,0600	2,1189	0,0353	0,2200	0,2640
16,6667	1,0000	35,3147	0,5886	3,6660	4,4030
0,4720	0,0283	1,0000	0,0167	0,1040	0,1250
28,3170	1,6990	60,0000	1,0000	6,2290	7,4800
4,5460	0,2728	9,6326	0,1605	1,0000	1,2010
3,7850	0,2271	8,0209	0,1337	0,8330	1,0000

PRESSURE AND HEAD

Newton per square metre N/m ²	kilo Pascal kPa	bar bar	Pound force per square inch psi	metre of water m H ₂ O	millimetre di mercury mm Hg
1,0000	0,0010	1 x 10 ⁻⁵	1,45 x 10 ⁻⁴	1,02 x 10 ⁻⁴	0,0075
1000,0000	1,0000	0,0100	0,1450	0,1020	7,5000
1 x 10 ⁵	100,0000	1,0000	14,5000	10,2000	750,1000
6895,0000	6,8950	0,0690	1,0000	0,7030	51,7200
9789,0000	9,7890	0,0980	1,4200	1,0000	73,4200
133,3000	0,1333	0,0013	0,0190	0,0140	1,0000

LENGHT

millimetre mm	centimetre cm	metre m	inch in	foot ft	yard yd
1,0000	0,1000	0,0010	0,0394	0,0033	0,0011
10,0000	1,0000	0,0100	0,3937	0,0328	0,0109
1000,0000	100,0000	1,0000	39,3701	3,2808	1,0936
25,4000	2,5400	0,0254	1,0000	0,0833	0,0278
304,8000	30,4800	0,3048	12,0000	1,0000	0,3333
914,4000	91,4400	0,9144	36,0000	3,0000	1,0000

VOLUME

cubic metre m ³	litre litro	millilitre ml	imp. gallon imp. gal.	US gallon US gal.	cubic foot ft ³
1,0000	1000,0000	1 x 10 ⁶	220,0000	264,2000	35,3147
0,0010	1,0000	1000,0000	0,2200	0,2642	0,0353
1 x 10 ⁻⁶	0,0010	1,0000	2,2 x 10 ⁻⁴	2,642 x 10 ⁻⁴	3,53 x 10 ⁻⁵
0,0045	4,5460	4546,0000	1,0000	1,2010	0,1605
0,0038	3,7850	3785,0000	0,8327	1,0000	0,1337
0,0283	28,3170	28317,0000	6,2288	7,4805	1,0000

G-at_pp-en_a_sc



ITT

Lowara



ITT

Lowara

Headquarters

LOWARA S.r.l.

Via Dott. Lombardi, 14
36075 Montecchio Maggiore
Vicenza - Italy
Tel. (+39) 0444 707111
Fax (+39) 0444 492166
e-mail: lowara.mkt@itt.com - <http://www.lowara.com>

"RESIDENTIAL AND COMMERCIAL WATER GROUP - EMEA" SALES NETWORK

ITALY

MILANO 20090 Cusago - Viale Europa, 30
Tel. (+39) 02 90394188
Fax (+39) 0444 707176
e-mail: lowara.milano@itt.com

BOLOGNA 40132 - Via Marco Emilio Lepido, 178
Tel. (+39) 051 6415666
Fax (+39) 0444 707178
e-mail: lowara.bologna@itt.com

VICENZA 36061 Bassano del Grappa - Via Pigafetta, 6
Tel. (+39) 0424 566776 (R.A. 3 Linee)
Fax (+39) 0424 566773
e-mail: lowara.bassano@itt.com

PADOVA 35020 Albignasego - Via A. Volta, 56 - Zona Mandriola
Tel. (+39) 049 8801110
Fax (+39) 049 8801408
e-mail: lowara.bassano@itt.com

ROMA 00173 Via Frascineto, 8
Tel. (+39) 06 7235890 (2 linee)
Fax (+39) 0444 707180
e-mail: lowara.roma@itt.com

CAGLIARI 09122 - Via Dolcetta, 3
Tel. (+39) 070 287762 - 292192
Fax (+39) 0444 707179
e-mail: lowara.cagliari@itt.com

CATANIA 95027 S. Gregorio - Via XX Settembre, 75
Tel. (+39) 095 7123226 - 7123987
Fax (+39) 095 498902
e-mail: lowara.catania@itt.com



For Italian market only

EUROPE

Pumpenfabrik ERNST VOGEL GmbH
A-2000 STOCKERAU
Ernst Vogel-Straße 2
Tel. (+43) 02266 604 - Fax (+43) 02266 65311
e-mail: vogelpumpen.info@itt.com - <http://www.vogel-pumpen.com>

LOWARA DEUTSCHLAND GMBH
Biebigheimer Straße 12
D-63762 Großostheim
Tel. (+49) 0 60 26 9 43 - 0 - Fax (+49) 0 60 26 9 43 - 2 10
e-mail: lowarade.info@itt.com - <http://www.lowara.de>

LOWARA FRANCE S.A.S.
BP 57311
37073 Tours Cedex 2
Tel. (+33) 02 47 88 17 17 - Fax (+33) 02 47 88 17 00
e-mail: lowarafr.info@itt.com - <http://www.lowara.fr>

LOWARA FRANCE SAS Agence Sud
Z.I. La Sipièrre - BP 23
13730 Saint Victoret - F
Tel. (+33) 04 42 10 02 30 - Fax (+33) 04 42 10 43 75
<http://www.lowara.fr>

LOWARA NEDERLAND B.V.
Zandweistraat 22
4181 CG Waardenburg
Tel. (+31) 0418 655060 - Fax (+31) 0418 655061
e-mail: lowaranl.info@itt.com - <http://www.lowara.nl>

ITT PORTUGAL, Unipessoal, Lda.
Praçeta da Castanheira, 38
4475-019 Barca
Tel. (+351) 22 9478550 - Fax (+351) 22 9478570
e-mail: lowarapt.info@itt.com - <http://www.lowara.pt>

ITT PORTUGAL, Unipessoal, Lda. Delegação
Quinta da Fonte - Edifício D. Pedro I
2770-071 Paço de Arcos
Tel. (+351) 21 0001628 - Fax (+351) 21 0001675

LOWARA UK LTD.
Millwey Rise, Industrial Estate
Axminster - Devon EX13 5HU UK
Tel. (+44) 01297 630200 - Fax (+44) 01297 630270
e-mail: lowaraukenquiries@itt.com - <http://www.lowara.co.uk>

LOWARA IRELAND LTD.
59, Broomhill Drive - Tallaght Industrial Estate
Tallaght - DUBLIN 24
Tel. (+353) 01 4520266 - Fax (+353) 01 4520725
e-mail: lowara.ireland@itt.com - <http://www.lowara.ie>

LOWARA VOGEL POLSKA Sp. z o.o.
PL 57-100 Strzelin
ul. Kazimierza Wielkiego 5
Tel. (+48) 071 769 3900 - Fax (+48) 071 769 3909
e-mail: info.lowarapl@itt.com - <http://www.lowara-vogel.pl>

Lowara reserves the right to make modification without prior notice.

cod. 191002931 W 01/09

Engineered for life

