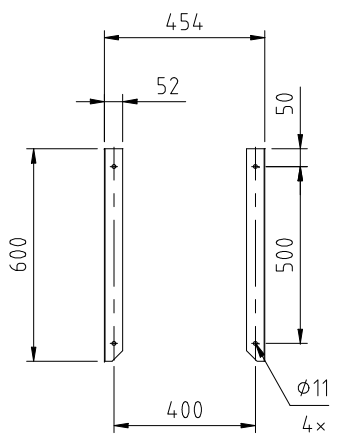
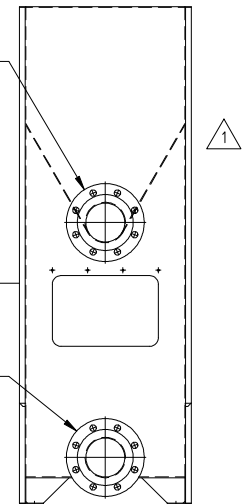


DIN 2642
DN100 PN10

DIN 2642
DN100 PN10



FUNDATIE PLAN
FOUNDATION PLAN
FUNDAMENT PLAN

8	1	CASCO		KTSCASCO-1
7	1	TYPEPLAAT		KIG-49-0200
6	1	FLAP	NEOPRENE	KLB00080
5	1	MONTAGE STRIP		KLB00070
4	1	BAFFLE PLAAT		KTS00021
3	1	SILICONEN AFDICHTING		
2	1	ZEEFPLAAT		KBOZ00A
1	2	TREKSTANG		KBOD0000
NR	QTY	DESCRIPTION	MATERIAL/PART No.	DRAWING No./REMARKS

TITLE: ZEEFBOCHT/BOGENSIEB/SCREEN 500 TS
MATERIAL: AISI 304

REV	DESCRPT.	DATE	BY	CHECK
0	NEW	'02/01/18	MK	
1	UPDATE	'02/04/24	MK	
2				
3				

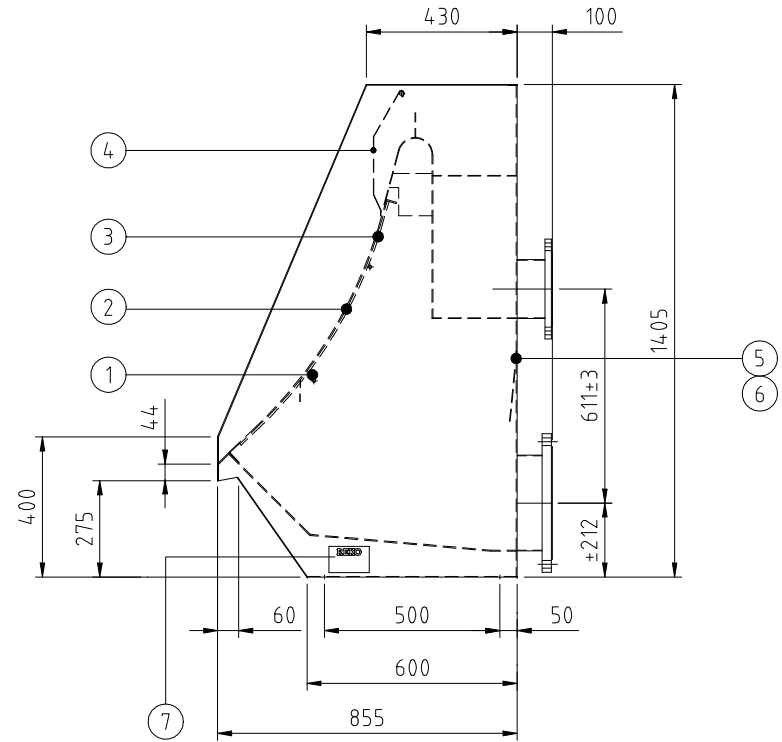
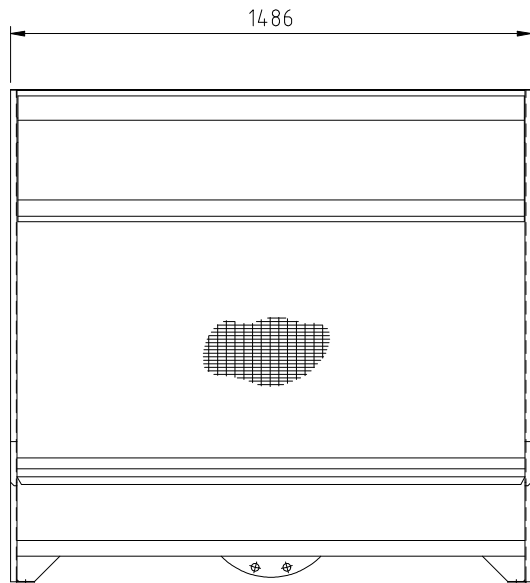
REKO
 REKO Industrial Equipment by
 The Netherlands www.reko.com

DRAWING NUMBER
TS0502

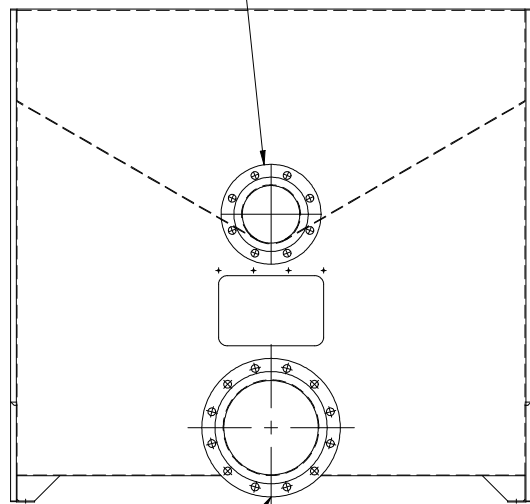
DO NOT SCALE THIS DRAWING
 IF IN DOUBT ASK

THIS DRAWING IS ISSUED BY REKO INDUSTRIAL EQUIPMENT BY SUBJECT TO THE CONDITIONS THAT IT IS NOT COPIED EITHER IN WHOLE OR IN PART OR DISCLOSED TO THIRD PARTIES UNLESS PRIOR WRITTEN AUTHORIZATION IS GIVEN BY REKO INDUSTRIAL EQUIPMENT BY PREVIOUS VERSIONS OF THIS DRAWING SHOULD BE DESTROYED

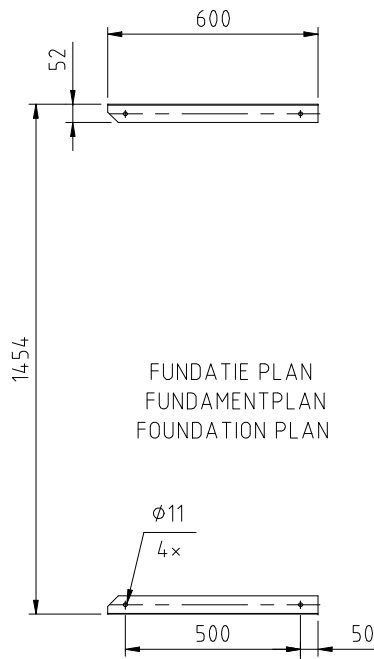
FIENZEN : GECOAT ALUMINIUM
 HET GEBRUIK VAN DEZE FLEETRONISCHE COPIJ
 IS GEHEEL VOOR EIGEN RISICO VAN DE GEBRUIKER
 REKO KAN GEEN AANTWORTVERHOUDING AANNEEMEN
 ANDERS DAN IN TEKST AANGEGEVEN



DIN 2642
DN150 PN10



DIN 2642
DN250 PN10



FUNDATIE PLAN
FUNDAMENTPLAN
FOUNDATION PLAN

FLENZEN : GECOAT ALUMINIUM
FLANGES : COATED ALUMINIUM
FLANSCHEN : BESCHICHTET ALUMINIUM

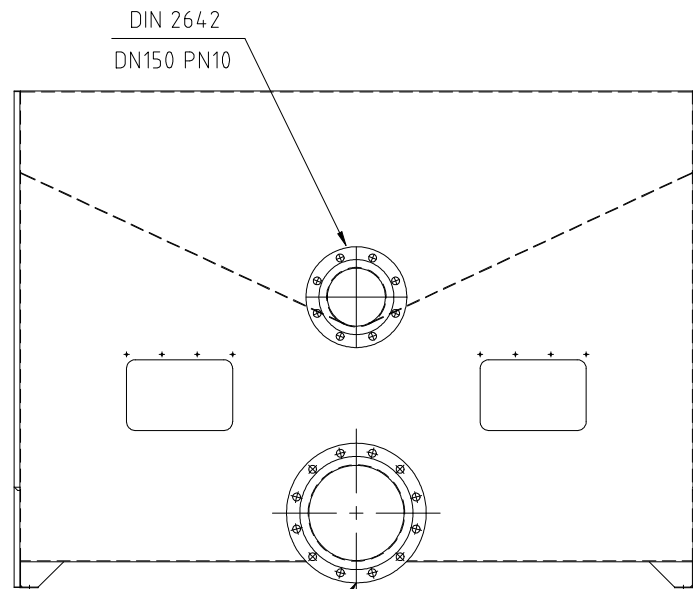
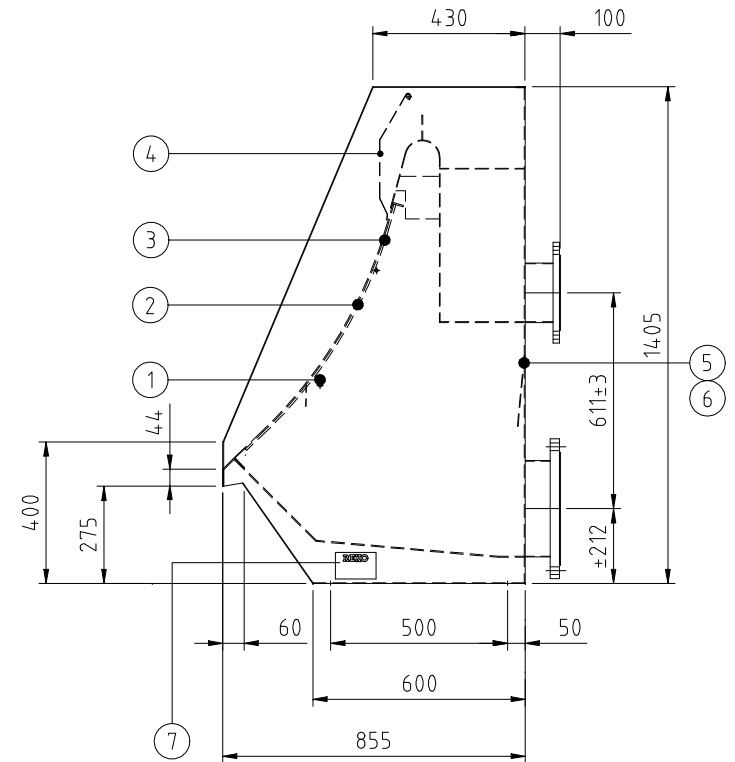
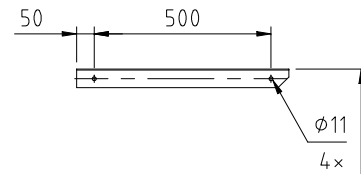
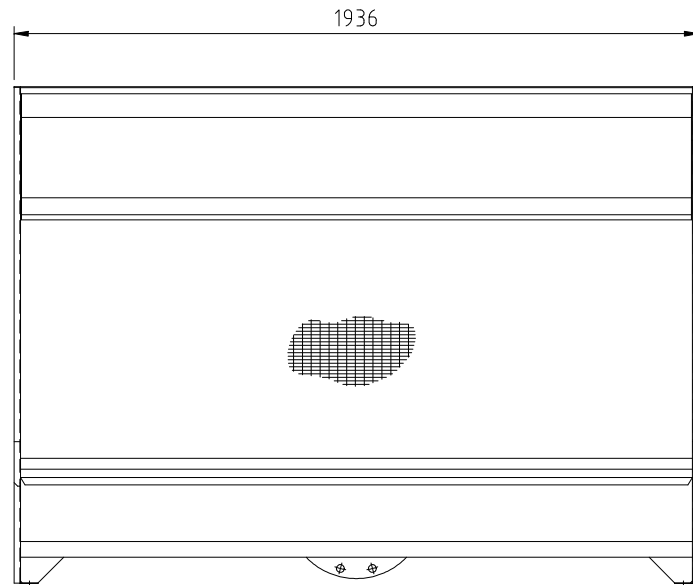
8	1	CASCO		KTSCASCO-1
7	1	TYPEPLAAT		KIG-49-0200
6	1	FLAP	NEOPRENE	KLBO0080
5	1	MONTAGESTRIP		KLBO0070
4	1	BAFFLE PLAAT		KTS00021
3	1	SILICONEN AFDICHTING		
2	1	ZEEFPLAAT		KB0Z000A
1	2	TREKSTANG		KB0D0000
NR	QTY	DESCRIPTION	MATERIAL/PART No.	DRAWING No./REMARKS

TITLE: ZEEFBOCHT/BOGENSIEB/SCREEN 1500 TS
MATERIAL: AISI 304

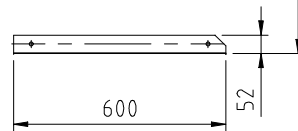
 REKO Industrial Equipment by The Netherlands www.reko.com	REV	DESCRPT.	DATE	BY	CHECK
	0	NEW	'02/01/22	MK	
	1	UPDATE	'02/04/24	MK	
	2				
					DRAWING NUMBER
					TS 1502

DO NOT SCALE THIS DRAWING
IF IN DOUBT ASK

© THIS DRAWING IS ISSUED BY REKO INDUSTRIAL EQUIPMENT BY SUBJECT TO THE CONDITIONS THAT IT IS NOT COPIED EITHER IN WHOLE OR IN PART OR DISCLOSED TO THIRD PARTIES UNLESS PRIOR WRITTEN AUTHORISATION IS GIVEN BY REKO INDUSTRIAL EQUIPMENT BY PREVIOUS VERSIONS OF THIS DRAWING SHOULD BE DESTROYED



FUNDATIE PLAN
FUNDAMENTPLAN
FOUNDATION PLAN



FLENZEN : GECOAT ALUMINIUM
FLANGES : COATED ALUMINIUM
FLANSCHEN : BESCHICHTET ALUMINIUM

8	1	CASCO		KTSCASCO-1
7	1	TYPEPLAAT		KIG-49-0200
6	2	FLAP	NEOPRENE	KLBO0080
5	2	MONTAGESTRIP		KLBO0070
4	1	BAFFLE PLAAT		KTS00021
3	1	SILICONEN AFDICHTING		
2	1	ZEEFPLAAT		KBOZ000A
1	2	TREKSTANG		KBOD0000
NR	QTY	DESCRIPTION	MATERIAL/PART No.	DRAWING No./REMARKS

TITLE: ZEEFBOCHT/BOGENSIEB/SCREEN 2000 TS
MATERIAL: AISI 304

 REKO Industrial Equipment by The Netherlands www.reko.com	REV	DESCRIP.	DATE	BY	CHECK
	0	NEW	'02/01/22	MK	
	1	UPDATE	'02/04/24	MK	DRAWING NUMBER
	2				TS2002

DO NOT SCALE THIS DRAWING
IF IN DOUBT ASK

© THIS DRAWING IS ISSUED BY REKO INDUSTRIAL EQUIPMENT BY SUBJECT TO THE CONDITIONS THAT IT IS NOT COPIED EITHER IN WHOLE OR IN PART OR DISCLOSED TO THIRD PARTIES UNLESS PRIOR WRITTEN AUTHORISATION IS GIVEN BY REKO INDUSTRIAL EQUIPMENT BY PREVIOUS VERSIONS OF THIS DRAWING SHOULD BE DESTROYED