



Description:

REKO sieve bends are trouble-free installations for separation of solids from process and waste water. The REKO sieve bends distinguish themselves from other systems by the unique shell operation, continuous operation, the simple construction and minimal maintenance requirements. This creates a favourable price-performance ratio.

Operation static sieve bends

The liquid is by a pump or free walk-in through the inlet Chamber across the full width of the REKO sieve divided and flows over a curved blind plate in cross direction over the sieve plate. Because the sieve plate concave is curved, the force of the water will help to ensure that the capacity of the sieve is high. A rear hinged access forced shot ensures that the medium with greater speed the screen surface. The cleaned liquid disappears behind the sieve plate in the interior, after which it runs through the drain connection. The separated solids slide continuously about the sieve plate, whereby they drain, subsidence and eventually fall down to be collected in a container, screw conveyor or dewatering press.

Options:

- o vibrating setup
- o sprinkler installation
- o lid with gas springs

Applications:

- o greenhouse horticulture
- o food industry
- o slaughterhouses
- o zoos
- o fishing industry
- o tanneries



Benefits:

- o continuous discharge
- o minimum maintenance costs
- o large concentrations of solids can be processed
- o unique peel effect
- o interchangeable sieve plates, so adjustment to operating conditions possible
- o low investment
- o low noise
- o minimal operating costs
- o Many designs as standard available
- o static connection to vibrating sieve

specifications

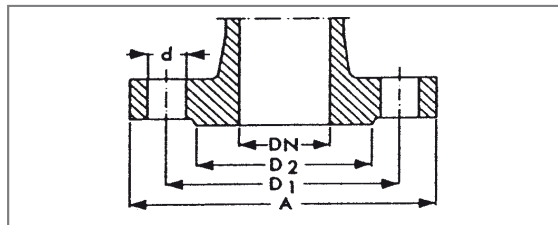
- o version: completely rvs 304
- o slot width: 150 mm - 5 mm standard 0,5 mm
- o capacity: 0 - 1000 m³/h

Accessoires

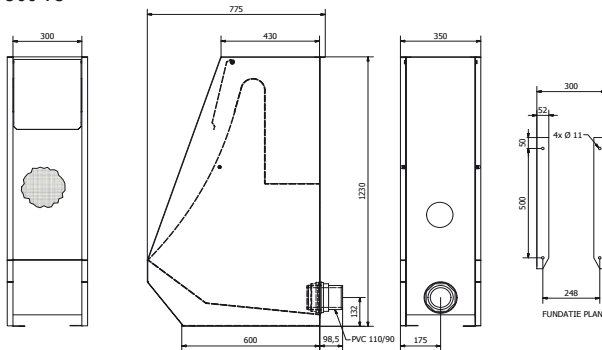
- o dirt hopper of aluminium or stainless steel
- o dirt cake care of stainless steel
- o dirt filter for dirt recovery tank of stainless steel
- o stainless steel frame on desired height

MAXIMUM CAPACITY IN CLEAN WATER AND SLOT WIDTH 0.5 MM

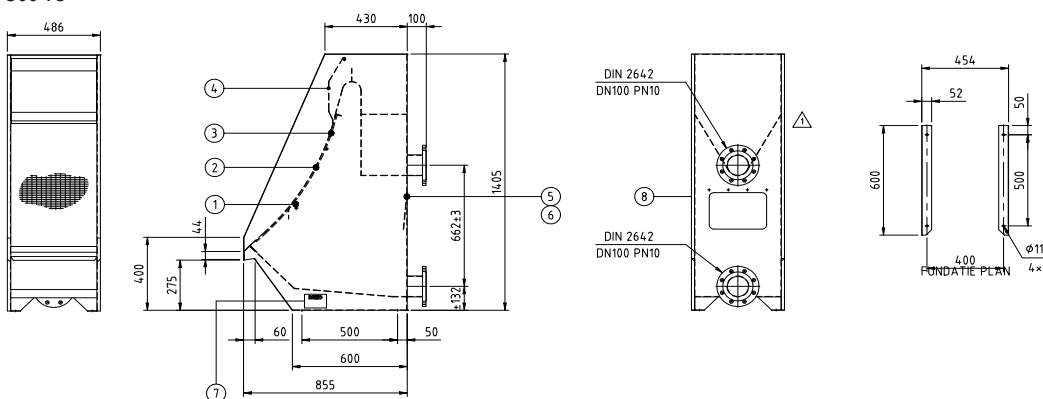
MODEL	CAPACITEIT (m ³ /uur)
300 TS	18
500 TS	36
1000 TS	72
1500 TS	108
2000 TS	144
1200 LB	142
1800 LB	215
1900 LB	272



300 TS



500 TS



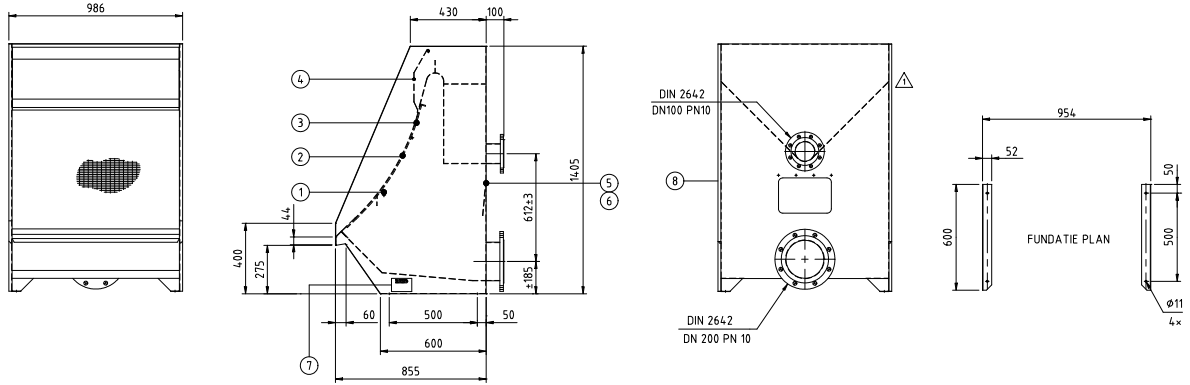
Sieve bends

REKO

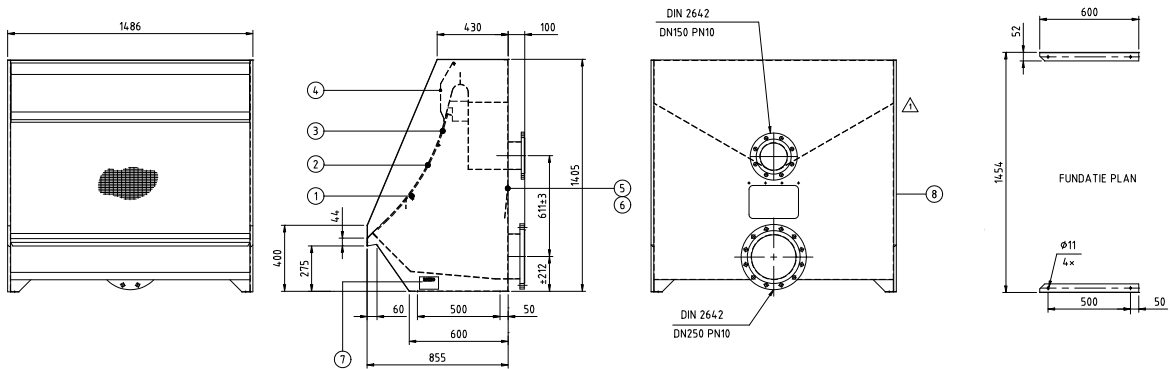
Tuinbouwtechniek
& -benodigheden



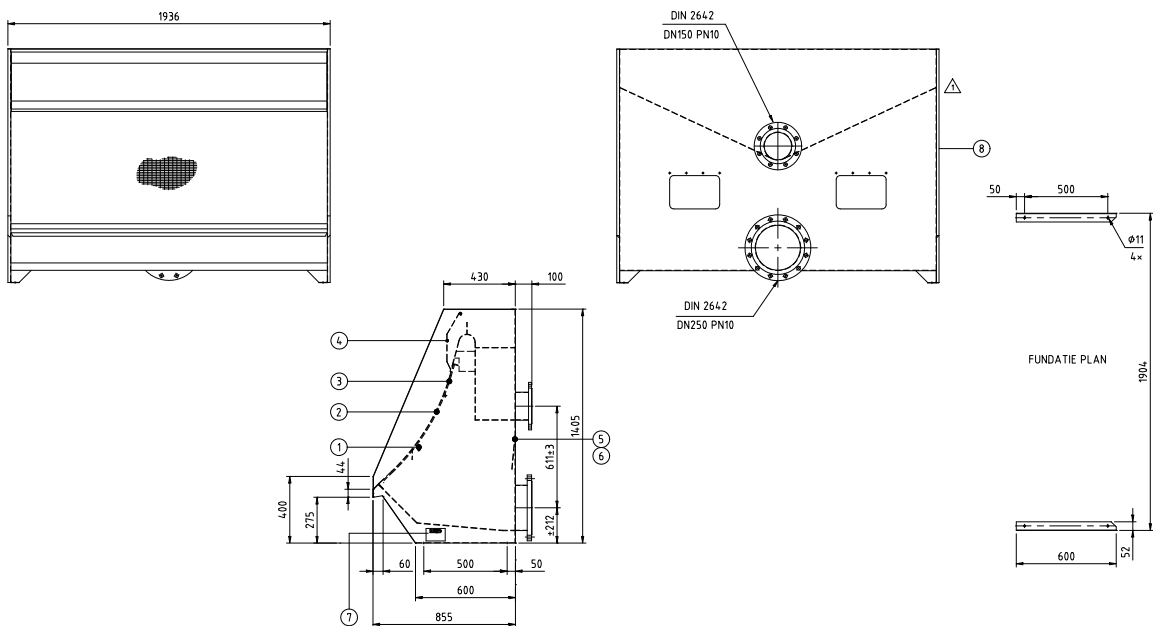
1000 TS



1500 TS



2000 TS



KaRo BV
Tulpenmarkt 4
1681 PK Zwaagdijk

T 0228 - 56 31 35
E info@karobv.nl
www.karobv.nl



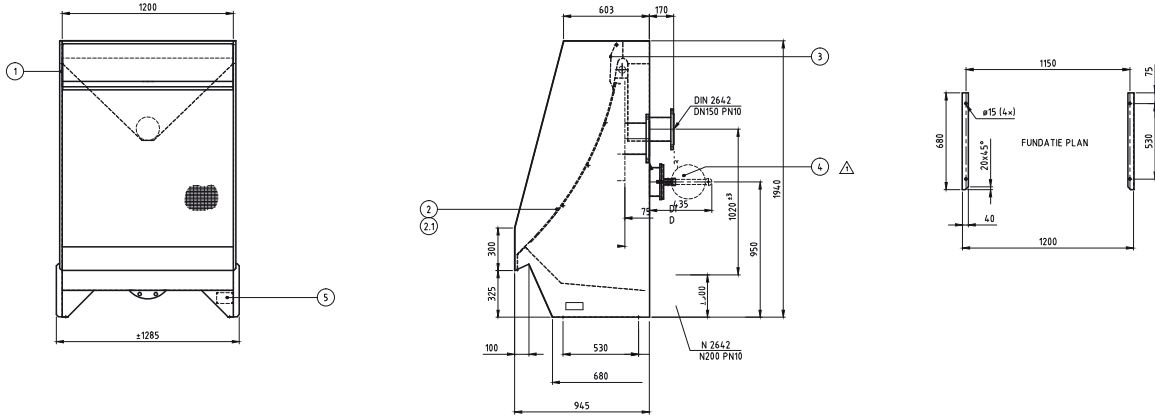
Sieve bands

Productinfo

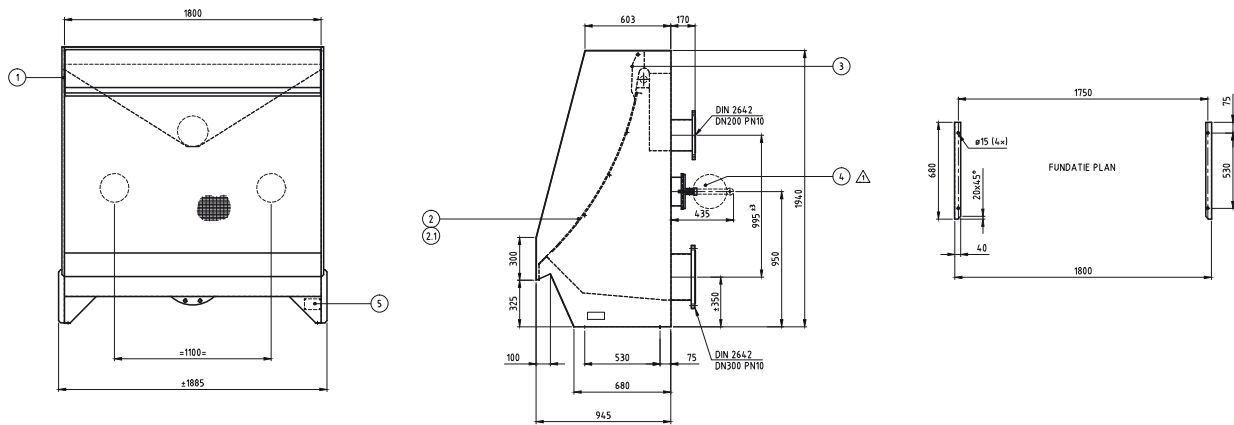
Tuinbouwtechniek
& -benodigheden



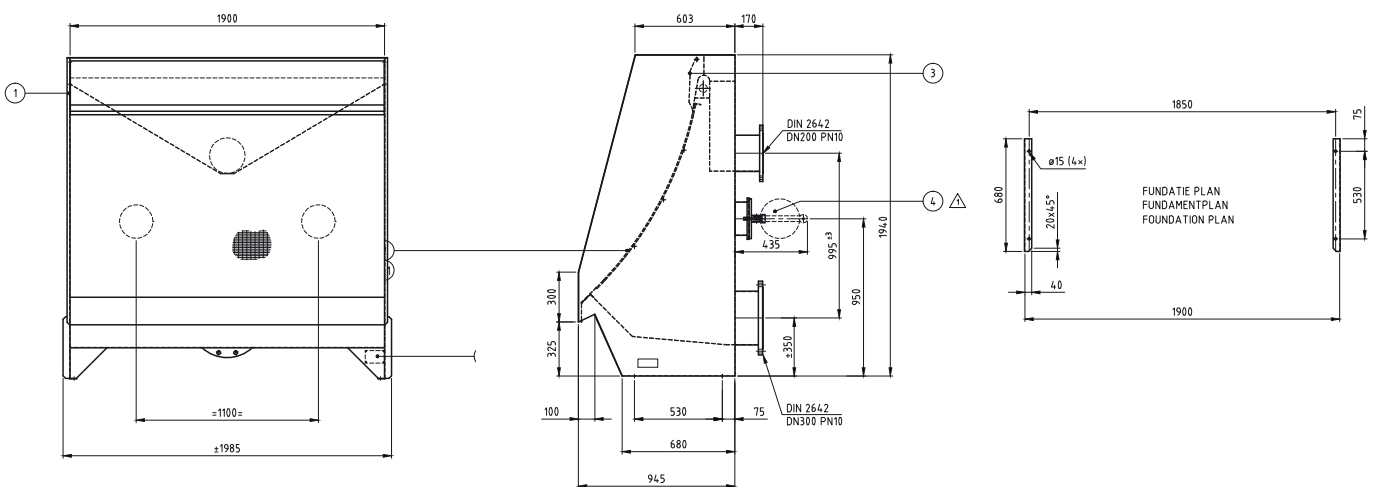
1200 LB



1800



1900



KaRo BV
Tulpenmarkt 4
1681 PK Zwaagdijk

T 0228 - 56 31 35
E info@karobv.nl
www.karobv.nl

