

EBARA

	Page
- SPECIFICATION	200
SPECIFICATION	200
SPECIFICATION	201
MOTOR SPECIFICATION	202
SELECTION CHART	203
SELECTION CHART	204
TYPE KEY AND CURVE SPECIFICATIONS	205
PERFORMANCE CURVE 32-125	206
PERFORMANCE CURVE 32-160	207
PERFORMANCE CURVE 32-200	208
PERFORMANCE CURVE 40-125	209
PERFORMANCE CURVE 40-160	210
PERFORMANCE CURVE 40-200	211
PERFORMANCE CURVE 50-125	212
PERFORMANCE CURVE 50-160	213
PERFORMANCE CURVE 50-200	214
PERFORMANCE CURVE 65-125	215
PERFORMANCE CURVE 65-160	216
PERFORMANCE CURVE 65-200	217
PERFORMANCE CURVE 65-250	218
PERFORMANCE CURVE 80-160	219
PERFORMANCE CURVE 80-200	220
PERFORMANCE CURVE 80-250	221
- CONSTRUCTION	300
SECTIONAL VIEW DRAWING 3(.)M 32, 40, 50, 65-125/160/200	300
SECTIONAL VIEW TABLE 3(.)M 32, 40, 50, 65-125/160/200	301
SECTIONAL VIEW DRAWING 3LM 80-160/11/13	302
SECTIONAL VIEW DRAWING 3LM 80-160/15/18.5	303
SECTIONAL VIEW TABLE 3LM 80-160	304
SECTIONAL VIEW DRAWING 3(.)S 32, 40, 50	305
SECTIONAL VIEW DRAWING 3(.)S 65-125/160/200	306
SECTIONAL VIEW DRAWING 3(.)S 32, 40, 50, 65-125/160/200	307
SECTIONAL VIEW DRAWING 3LS 80-160	308
SECTIONAL VIEW TABLE 3LS 80-160	309
SECTIONAL VIEW DRAWING 3LS 65-250, 80-200/250	310
SECTIONAL VIEW TABLE 3LS 65-250, 80-200/250	311
SECTIONAL VIEW DRAWING 3(.)P 32, 40, 50, 65-125/160/200	312
SECTIONAL VIEW TABLE 3(.)P 32, 40, 50, 65-125/160/200	313
SECTIONAL VIEW DRAWING 3LP 80-160	314
SECTIONAL VIEW DRAWING 3LP 65-250, 80-200/250	315-316
SECTIONAL VIEW TABLE 3LP 80-160	317
SECTIONAL VIEW TABLE 3LP 65-250, 80-200/250	318

BEARINGS 3(.)M	319
BEARINGS 3(.)S-3(.)P	320
MECHANICAL SEAL STANDARD AND H VERSION	321
MECHANICAL SEAL L VERSION Ø 22	322
MECHANICAL SEAL L VERSION Ø 30-35	323
MECHANICAL SEAL HS VERSION Ø 22	324
MECHANICAL SEAL HS AND E VERSION	325
MECHANICAL SEAL HW AND HSW VERSION	326
COUPLING	327
FLEXIBLE COUPLING	328
FITTINGS	329-330
- DIMENSIONS	400
DIMENSIONS 3(.)M 32, 40, 50, 65-125/160	400
DIMENSIONS 3(.)M 50-200, 65-160/15, 65-200	401
DIMENSIONS 3LM 80-160/11	402
DIMENSIONS 3LM 80-160/13/15/18.5	403
DIMENSIONS 3(.)S 32, 40, 50	404
DIMENSIONS 3(.)S 32, 65	405
DIMENSIONS 3(.)S 40, 50, 65	406
DIMENSIONS 3(.)S 32, 40, 50, 65	407
DIMENSIONS 3LS 80-160	408
DIMENSIONS 3LS 65-250, 80-200/250	409
DIMENSIONS 3LS 80-200/250	410
DIMENSIONS 3LS 80-250/55	411
DIMENSIONS 3(.)P 32, 40, 50, 65	412
DIMENSIONS TABLE 3(.)P 32, 40, 50, 65	413
DIMENSIONS 3LP 65-250,80	414
DIMENSIONS 3LP 80-200/250	415
DIMENSIONS 3LP 80-250/55	416
PACKING 3(.)M	417
PACKING 3(.)S	418
PACKING 3(.)P	419
- TECHNICAL DATA	500
MOTOR DATA 3(.)M	500
MOTOR DATA 3(.)S-3(.)P	501
NOISE DATA 3(.)M	502
NOISE DATA 3(.)S-3(.)P	503

SPECIFICATION

50Hz

Rev. M

Version		3M	3S	3P	3LM	3LS	3LP
Pump sizes	32-125	■	■	■	■	■	■
	32-160	■	■	■	■	■	■
	32-200	■	■	■	■	■	■
	40-125	■	■	■	■	■	■
	40-160	■	■	■	■	■	■
	40-200	■	■	■	■	■	■
	50-125	■	■	■	■	■	■
	50-160	■	■	■	■	■	■
	50-200	■	■	■	■	■	■
	65-125	■	■	■	■	■	■
	65-160	■	■	■	■	■	■
	65-200	■	■	■	■	■	■
	65-250	-	-	-	-	●	●
	80-160	-	-	-	●	●	●
80-200	-	-	-	-	●	●	
80-250	-	-	-	-	●	●	
Liquid Handled	Type of liquid		Clean water and moderately aggressive fluids				
	Temperature	min.	-10				
		max.	+90		+110		
Maximum working pressure		[MPa]	1				

Mechanical seal and O-ring option			H	HS	HW	HSW	E	See page
Mechanical seal	Material		Car/Cer	SiC/SiC	Tun Car/Tun Car	SiC/Tun Car	Car/SiC	p. 321-326
O-ring	Material		FPM				EPDM	
Liquid Handled	Type of liquid		Clean water and moderately aggressive fluids				Drinking water, water contains glycol	
	Temperature	min.	-10					
		max.	+110			+120		
Maximum working pressure		[MPa]	1					

■ Available also with H, HS, HW, HSW option for 32, 40, 50, 65-125/160/200.

● Available also with H, HW, HSW and E option for 65-250, 80.

— Not available.

SPECIFICATION

50Hz

Rev. M

Version		3M	3S	3P	3LM	3LS	3LP
Construction	Impeller	Closed centrifugal type for [32, 40, 50 version] Reinforced laser welding for [40-200/11, 50-200/15] Closed centrifugal three dimensional blades for [65 and 80 version]					
	Shaft seal type	Mechanical seal			Mechanical seal with stationary ring secured against rotation. Mechanical seal for [H-E option]		
	Bearing	Sealed ball bearing					
Pipe Connection	Suction	32-125/160/200	Flange DN50 according DIN 2532 standard				
		40-125/160/200	Flange DN65 according DIN 2532 standard				
		50-125/160/200	Flange DN65 according DIN 2532 standard				
		65-125/160/200/250	Flange DN80 according DIN 2532 standard				
	Discharge	80-160/200/250	Flange DN100 according DIN 2532 standard				
		32-125/160/200	Flange DN32 according DIN 2532 standard				
		40-125/160/200	Flange DN40 according DIN 2532 standard				
		50-125/160/200	Flange DN50 according DIN 2532 standard				
65-125/160/200/250	Flange DN65 according DIN 2532 standard						
	80-160/200/250	Flange DN80 according DIN 2532 standard					
Material	Casing	32-125/160/200	EN 1.4301 (AISI 304)			EN 1.4404 (AISI 316L)	
		40-125/160/200				EN 1.4401 (AISI 316)	
		65-250	/			EN 1.4401 (AISI 316) Made by precision casting	
	Impeller	80-160/200/250	/			EN 1.4401 (AISI 316) Made by precision casting	
		32-125/160/200	EN 1.4301 (AISI 304)			EN 1.4404 (AISI 316L)	
		40-125/160/200				EN 1.4404 (AISI 316L)	
	Casing cover	50-125/160	EN 1.4301 (AISI 304)			EN 1.4404 (AISI 316L)	
		65-125/160/200				EN 1.4401 (AISI 316) Made by precision casting	
		65-250	/			EN 1.4401 (AISI 316) Made by precision casting	
	Mechanical seal	32-125/160/200	Ceramic/Carbon/NBR [standard version] Ceramic/Carbon/FPM [H option] SiC/SiC/FPM [HS option]			SiC/SiC/FPM [L version] Ceramic/Carbon/FPM [H option]	
		40-125/160/200	Tungsten Carbide/Tungsten Carbide/FPM [HW option] SiC/Tungsten Carbide/FPM [HSW option] SiC/Carrbon/EPDM [E option]			Tungsten Carbide/Tungsten Carbide/FPM [HW option] SiC/Tungsten Carbide/FPM [HSW option] SiC/Carrbon/EPDM [E option]	
	65-125/160/200						
65-250		/					
80-160/200/250							
O-ring	NBR [1]			FPM			
Shaft	32, 40, 50	d=19	EN 1.4301 (AISI 304)			EN 1.4404 (AISI 316L)	
	65-125						
	65-160/11	d=22					
	50-200/15						
	65-160/15	d=24				EN 1.4462 (Duplex stainless steel)	
	65-200						
	80-160	d=24	/			EN 1.4404 (AISI 316L)	
	80-200/22	d=24	/			EN 1.4404	
80-200/	d=24	/			EN 1.4462		
30-37kW	d=24	/			(Duplex stainless steel)		
80-250	d=29	/			EN 1.4462 (Duplex stainless steel)		
Bracket	Cast iron - aluminium						

[1] FPM for H-HS-HW-HSW version

SPECIFICATION

50Hz

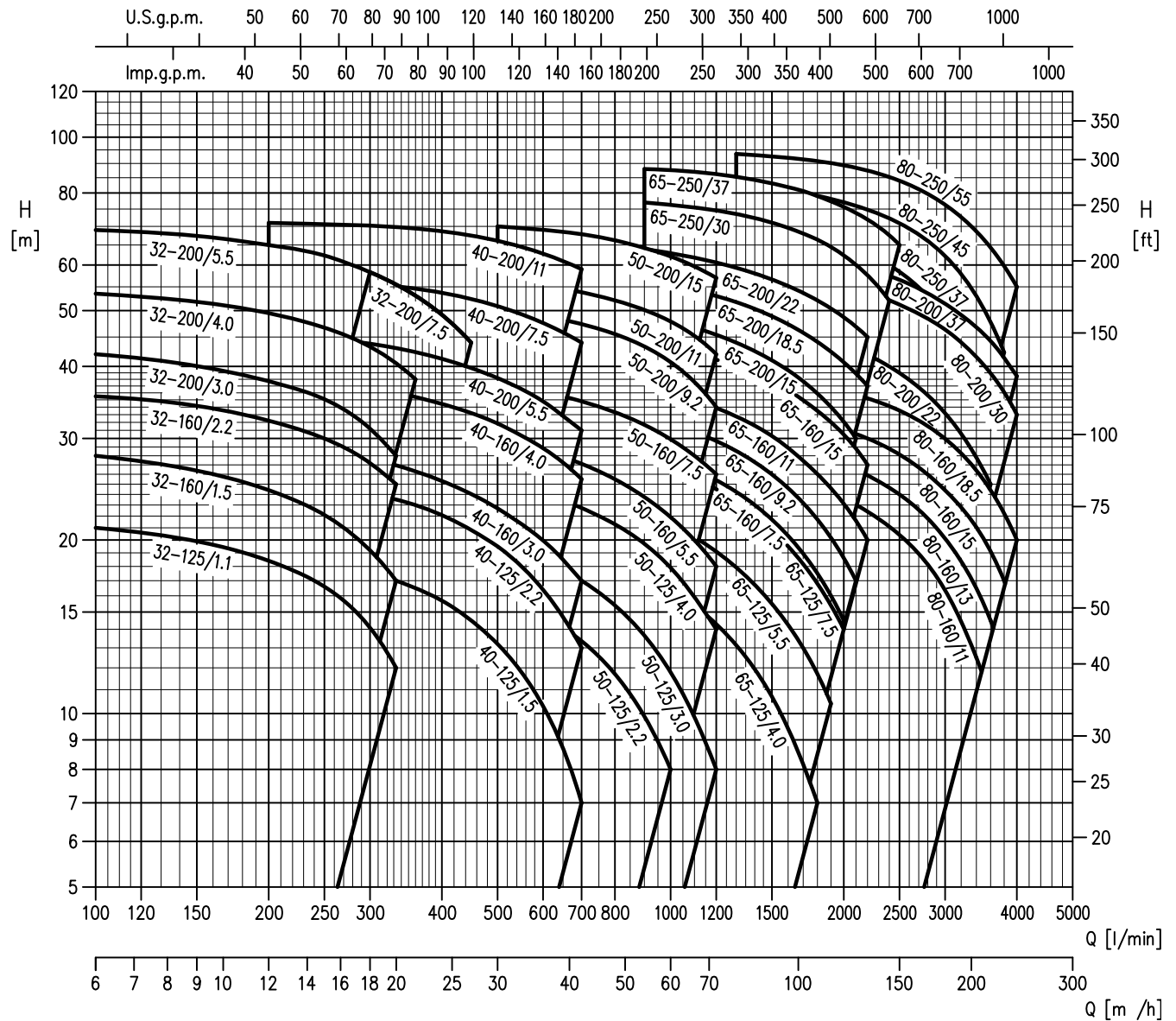
Rev. M

Version	3(-)M		3(-)S	3(-)P
Type	Electric-TEFC			
	Single Phase	Three phase		
Efficiency (Reg. 640/2009)	-	IE2 from 1.1 kW to 22 kW	IE2 from 1.1 kW to 55 kW	
No. of Poles	2			
Rotation speed [min ⁻¹]	~2900			
Insulation class	F		F (temperature rise class B)	
Protection degree (CEI EN 60034-5)	IP 55			
Power rating [kW]	1.1 ÷ 2.2	1.1 ÷ 22	1.1 ÷ 55	
[HP]	1.5 ÷ 3.0	1.5 ÷ 30	1.5 ÷ 75	
Frequency [HZ]	50			
Voltage [V]	230 ±10%	230/400 ±10% (up to 4.0 kW) 400/690 ±10% (5.5 kW and above)		
Casing material	Aluminium / Cast iron			
Dimensions of cable entry	M20x1.5	-PG 13.5 -PG 16 -PG 21	- M20x1.5 - M25x1.5 - M32x1.5 - M40x1.5 - M50x1.5 - M63x1.5	
Flange mount (IEC motor)	/		IM B5 (up to 2.2 kW) IM B35 (3.0 kW and above)	IM B3

SELECTION CHART

50Hz

Rev. M



SELECTION CHART

50Hz

Rev. M

3 SERIES: 32, 40, 50 VERSION

Pump type	Power		Flow rate (m³/h)														
	[kW]	[HP]	0	100	150	200	300	333	360	400	450	500	600	700	800	1000	1200
32-125/1.1(M) *	1.1	1.5	22.5	21	19.9	18.4	14.1	12	-	-	-	-	-	-	-	-	-
32-160/1.5(M) *	1.5	2	29.5	28	26.5	24.5	19.2	17	-	-	-	-	-	-	-	-	-
32-160/2.2(M) *	2.2	3	37	35.5	34	32	27	25	-	-	-	-	-	-	-	-	-
32-200/3.0	3	4	44	42	40	37.5	31	28	-	-	-	-	-	-	-	-	-
32-200/4.0	4	5.5	55	53.5	52	49.5	43.5	40.5	38	-	-	-	-	-	-	-	-
32-200/5.5	5.5	7.5	70.5	69	67.5	65	58.5	-	-	-	-	-	-	-	-	-	-
32-200/7.5	7.5	10	70.5	69	67.5	65	58.5	55.5	53	49	44	-	-	-	-	-	-
40-125/1.5(M) *	1.5	2	20	-	-	19	17.6	17	16.5	15.7	14.5	13.2	10.3	7	-	-	-
40-125/2.2(M) *	2.2	3	26.5	-	-	25.5	24	23.5	23	22	21	19.5	16.4	13	-	-	-
40-160/3.0	3	4	31	-	-	29.5	27.5	27	26.5	25.5	24	22.5	20	17	-	-	-
40-160/4.0	4	5.5	40	-	-	38.5	37	36	35.5	34.5	33	32	29	25.5	-	-	-
40-200/5.5	5.5	7.5	47	-	-	45.5	44	43	42.5	41	39.5	38	35	31	-	-	-
40-200/7.5	7.5	10	58	-	-	57	55.5	55	54.5	53.5	52.5	51	47.5	44	-	-	-
40-200/11	11	15	72	-	-	71	70	70	69.5	68.5	67.5	66	63	59	-	-	-
50-125/2.2(M) *	2.2	3	19	-	-	-	-	-	17.5	17	16.3	14.9	13.4	11.7	8	-	-
50-125/3.0	3	4	22	-	-	-	-	-	20.5	20	19.6	18.4	17	15.4	11.8	8	-
50-125/4.0	4	5.5	26.5	-	-	-	-	-	26	25.5	25	24	22.5	21.5	17.9	14	-
50-160/5.5	5.5	7.5	33	-	-	-	-	-	31	30.5	30	28.5	27	25.5	22	18	-
50-160/7.5	7.5	10	40	-	-	-	-	-	38.5	38	37.5	36	35	33.5	30	26	-
50-200/9.2	9.2	12.5	53	-	-	-	-	-	-	-	-	50	49	47.5	45.5	40.5	34
50-200/11	11	15	59	-	-	-	-	-	-	-	-	56	55	54	52	48	42
50-200/15	15	20	72	-	-	-	-	-	-	-	-	70	69	68	66	62	57

3 SERIES: 65, 80 VERSION

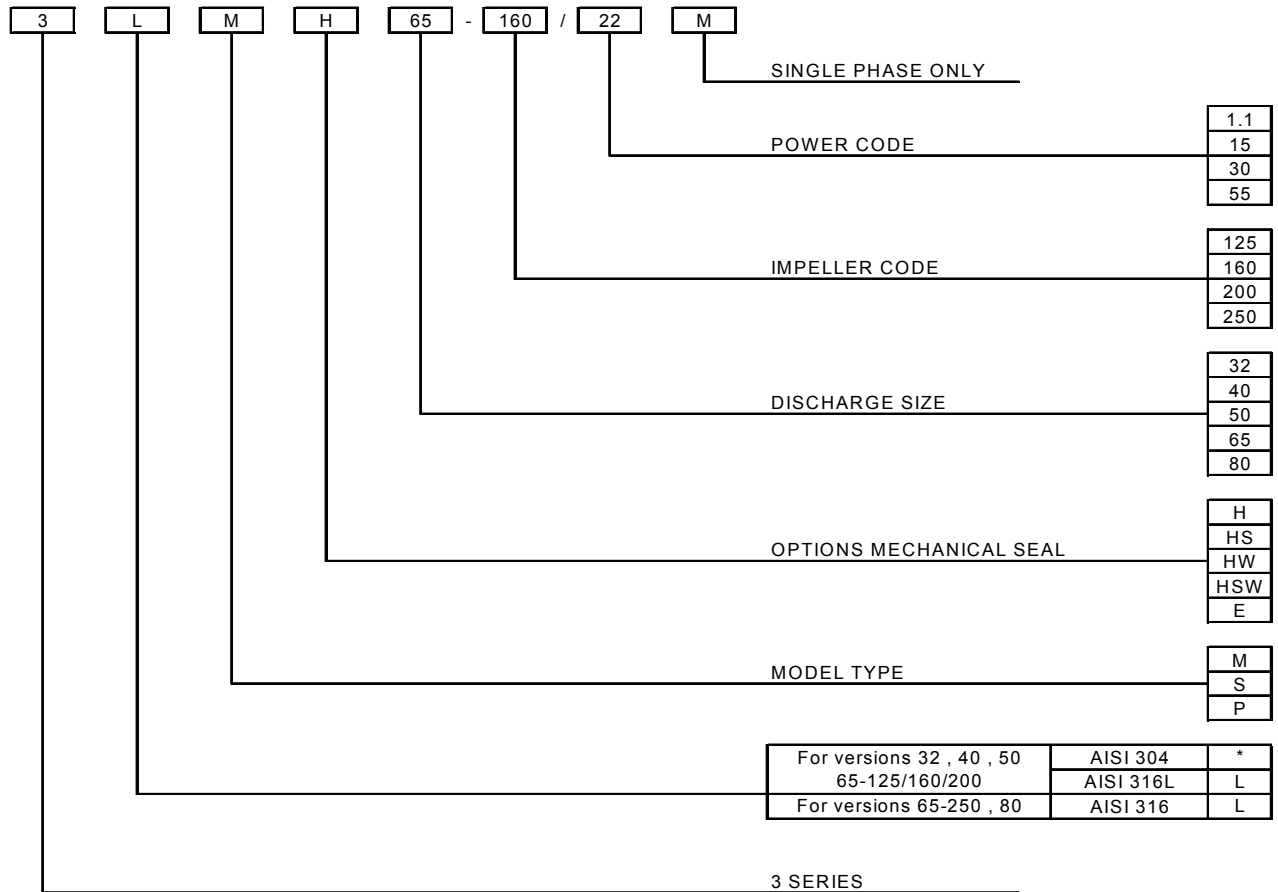
Pump type	Power		Flow rate (m³/h)																	
	[kW]	[HP]	0	600	700	900	1300	1500	1700	1900	2100	2200	2300	2400	2500	3000	3400	3600	3800	4000
65-125/4.0	4	5.5	22.2	19.8	19	17.3	13.3	11	8.6	6.3	-	-	-	-	-	-	-	-	-	-
65-125/5.5	5.5	7.5	27	-	24	22.2	18	15.7	13.3	10.8	8	-	-	-	-	-	-	-	-	-
65-125/7.5	7.5	10	32	-	29.5	27.8	23.5	21.1	18.7	16.1	13.4	12	-	-	-	-	-	-	-	-
65-160/7.5	7.5	10	32	-	30	28.6	24.8	22.5	19.9	17.1	14.2	-	-	-	-	-	-	-	-	-
65-160/9.2	9.2	12.5	36.5	-	34.5	32.8	28.8	26.5	23.9	21.1	18.3	16.8	-	-	-	-	-	-	-	-
65-160/11	11	15	40.5	-	38.5	37.1	33.1	30.9	28.4	25.8	23	21.5	20	-	-	-	-	-	-	-
65-160/15	15	20	48	-	45.5	44	40	37.8	35.3	32.6	29.6	28	26.5	-	-	-	-	-	-	-
65-200/15	15	20	53.5	-	51	49	44	41.5	38.4	35.3	31.8	30	-	-	-	-	-	-	-	-
65-200/18.5	18.5	25	60.5	-	58.5	56.5	51.5	49	46	43	39.7	38	36.3	-	-	-	-	-	-	-
65-200/22	22	30	67	-	65.5	64	59.5	57	54	51	48	46.5	45	-	-	-	-	-	-	-
65-250/30	30	40	78	-	77	73.5	71	68	64.5	60	57.5	55	52	-	-	-	-	-	-	-
65-250/37	37	50	89	-	88	85.5	83	80.5	77.5	74	72	70	67.5	65	-	-	-	-	-	-
80-160/11	11	15	29	-	-	-	27.3	26.4	25.4	24.2	23	22.4	21.8	21.1	20.4	16.4	12.5	-	-	-
80-160/13	13	17.5	32	-	-	-	30.5	29.7	28.8	27.7	26.5	25.9	25.3	24.6	24	20.1	16.5	14.5	-	-
80-160/15R	15	20	35	-	-	-	34	33.3	32.5	31.5	30.5	30	29.4	28.8	28.1	24.4	21	19.1	17	-
80-160/15			35	-	-	-	34	33.3	32.5	31.5	30.5	30	29.4	28.8	28.1	24.4	21	19.1	17	-
80-160/18.5	18.5	25	40	-	-	-	39	38.4	37.6	36.7	35.7	35.2	34.7	34.1	33.5	30	26.4	24.4	22.3	20
80-200/22	22	30	50	-	-	-	48	47	45.5	44.5	43	42	41	40	39	33.2	27.8	25	-	-
80-200/30	30	40	60	-	-	-	58.5	58	57	56	54.5	54	53	52	51	46.5	41.5	39	36.1	33
80-200/37	37	50	66	-	-	-	64	63	62	61	59.5	59	58	57.5	56.5	51.5	47	44.5	41.5	38.5
80-250/37	37	50	73	-	-	-	71.5	70.5	68.5	66.5	64	63	61.5	60	58.5	48.5	38	-	-	-
80-250/45	45	60	84	-	-	-	82.5	81.5	80	78	76	75	73.5	72.5	71	62	53	48	42.5	-
80-250/55	55	75	95	-	-	-	93.5	92.5	91.5	90	88.5	87.5	86.5	85.5	84	76.5	68.5	64.5	60	55

TYPE KEY AND CURVE SPECIFICATIONS

50Hz

Rev. M

TYPE KEY:



PERFORMANCE CURVE SPECIFICATIONS

The specifications below qualify the curves shown on the following pages.

Tolerances according to ISO 9906 Annex A

The curves refer to effective speed of asynchronous motors at 50 Hz

Measurements were carried out with clean water at 20°C of temperature and with a kinematic viscosity of $\nu = 1 \text{ mm}^2/\text{s}$ (1 cSt)

The NPSH curve is an average curve obtained in the same conditions of performance curves.

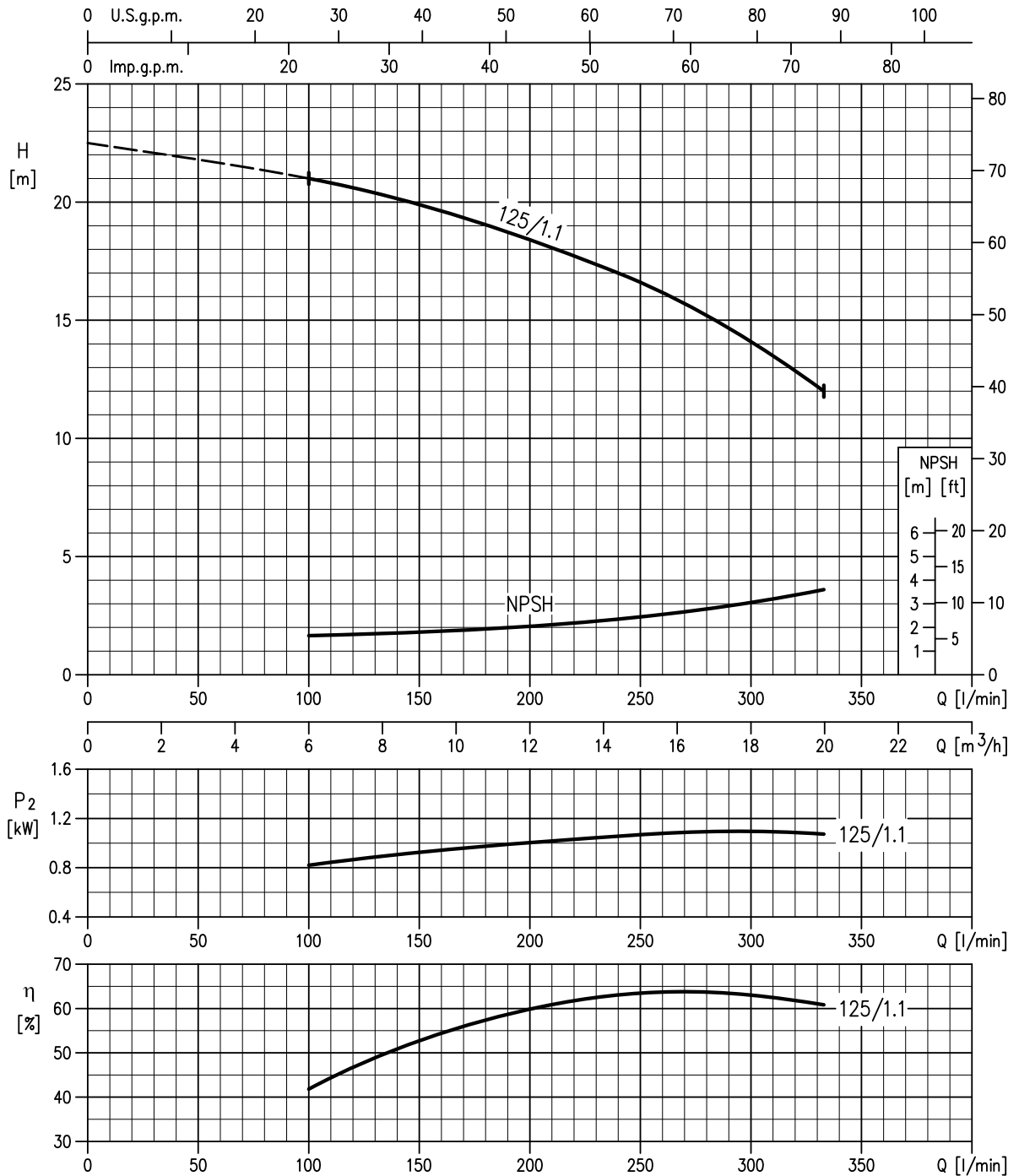
The continuous curves indicate the recommended working range. The dotted curve is only a guide.

In order to avoid the risk of over-heating, the pumps should not be used at a flow rate below 10% of best efficiency point.

Symbols explanation:

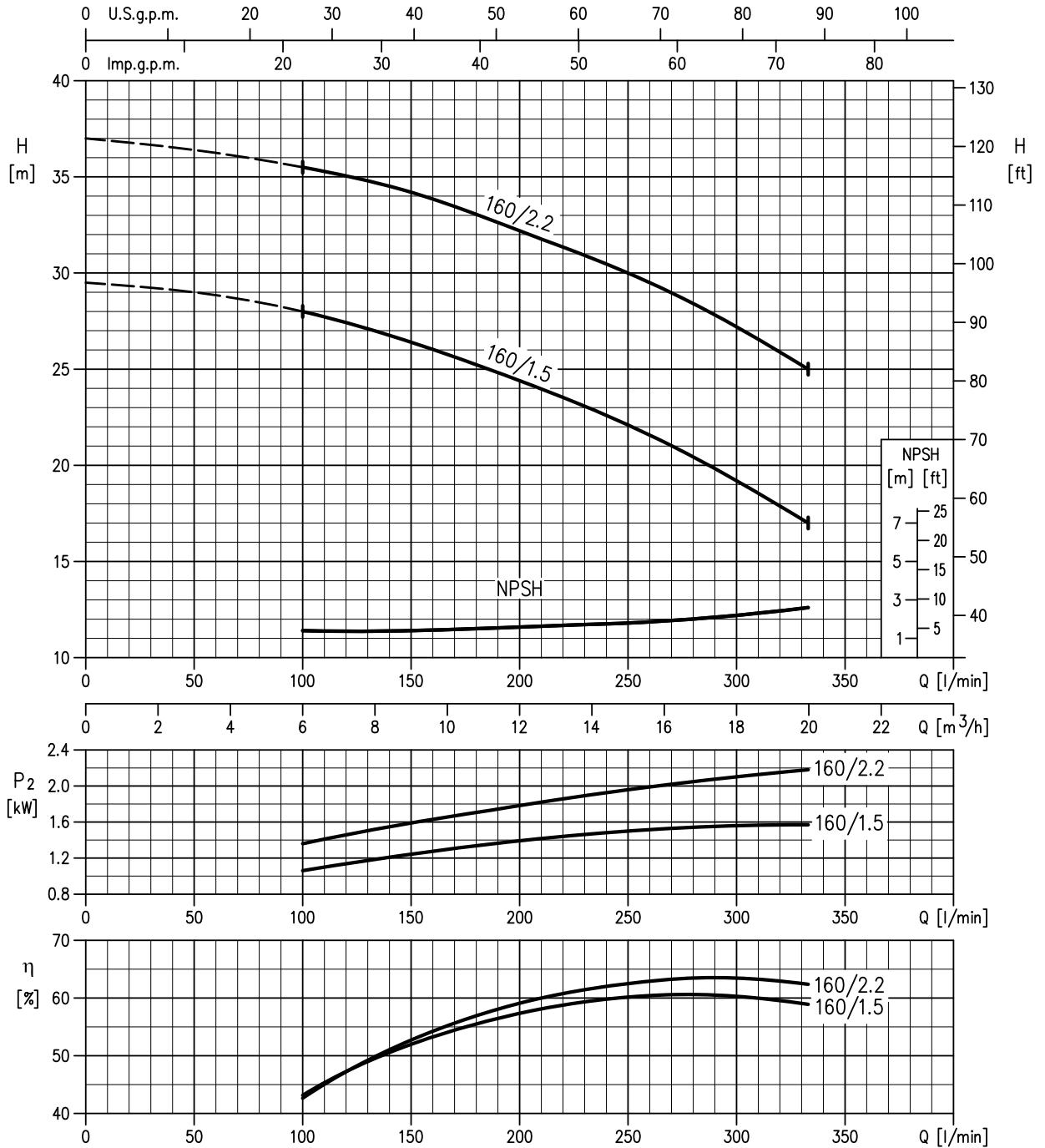
- Q = volume flow rate
- H = total head
- P_2 = pump power input (shaft power)
- η = pump efficiency
- NPSH = net positive suction head required by the pump

32-125/1.1 (1.1kW) – impeller diameter = 133 mm



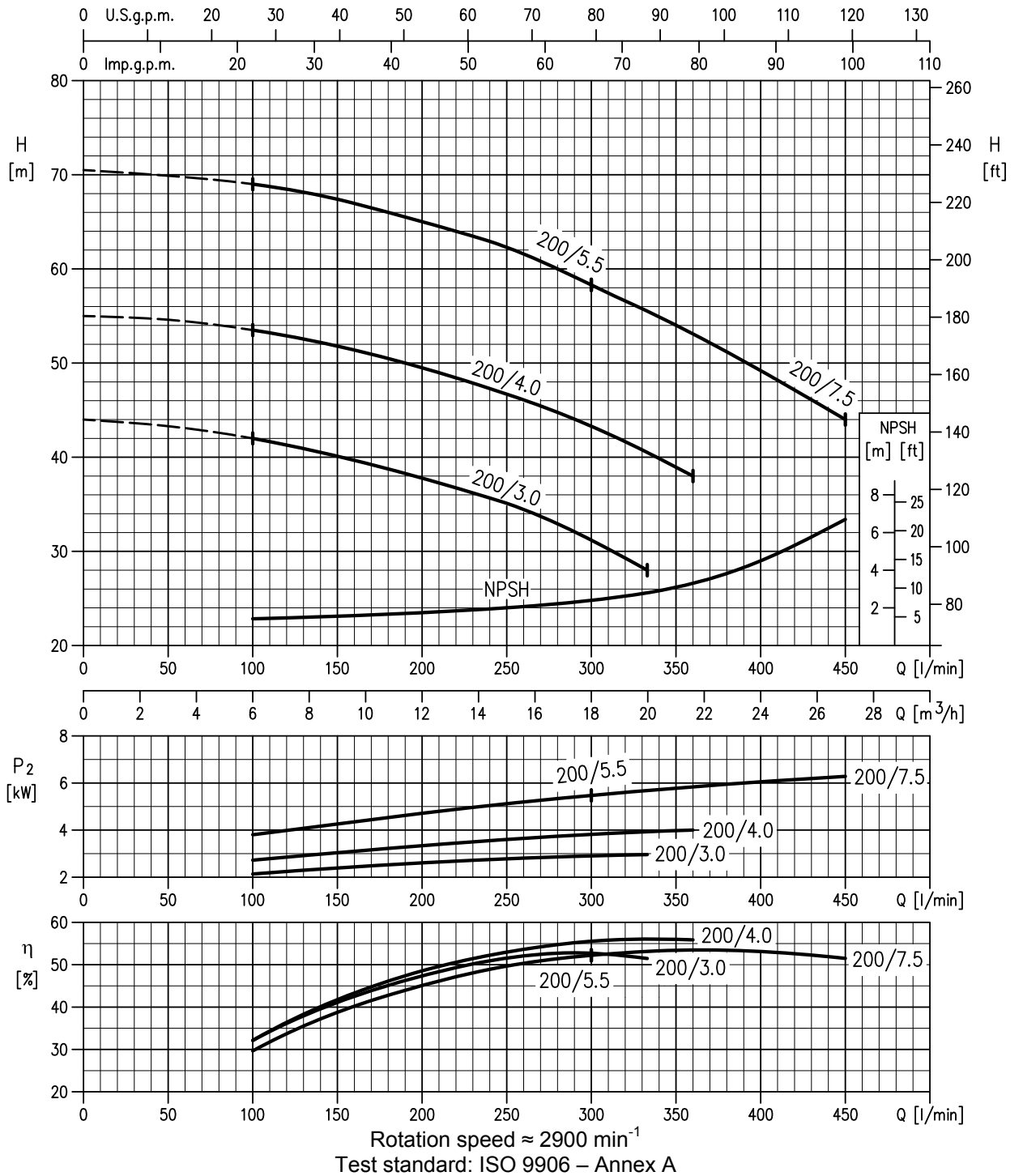
Rotation speed ≈ 2900 min⁻¹
 Test standard: ISO 9906 – Annex A

32-160/1.5 (1.5kW) – impeller diameter = 151 mm
 32-160/2.2 (2.2kW) – impeller diameter = 166 mm

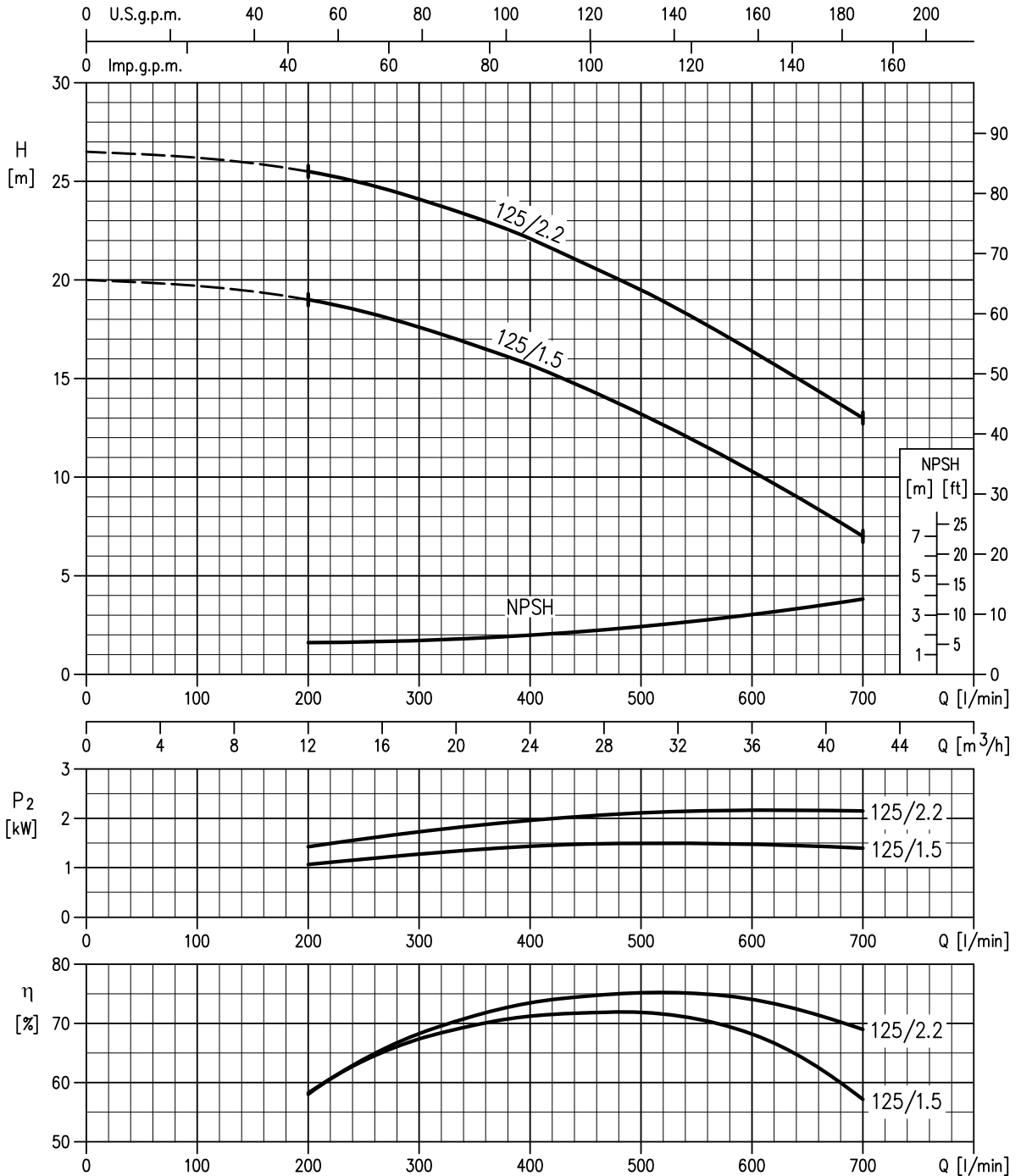


Rotation speed ≈ 2900 min⁻¹
 Test standard: ISO 9906 – Annex A

32-200/3 (3.0kW) – impeller diameter = 186 mm
 32-200/4 (4.0kW) – impeller diameter = 200 mm
 32-200/5.5 (5.5kW) – impeller diameter = 224 mm
 32-200/7.5 (7.5kW) – impeller diameter = 224 mm

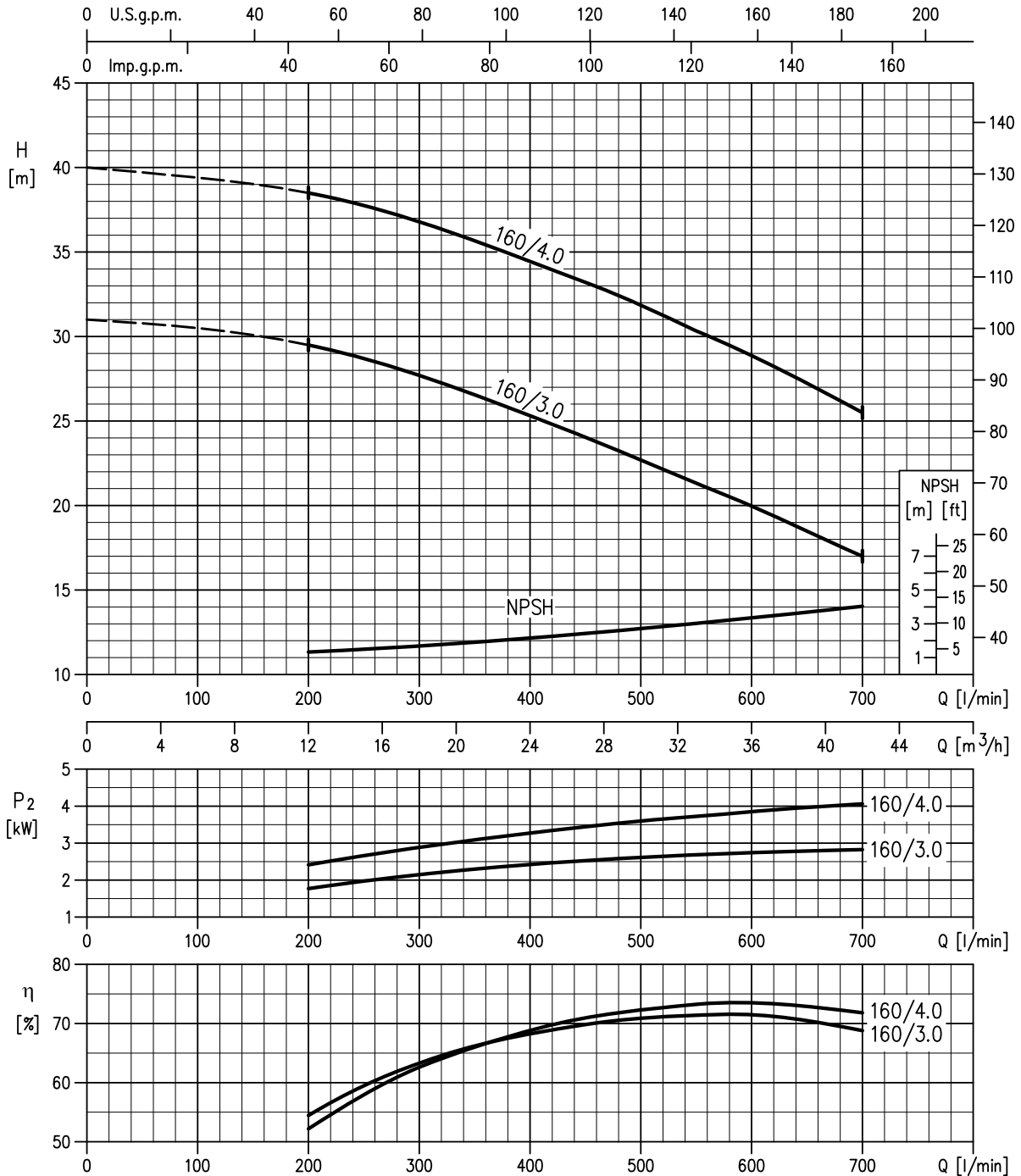


40-125/1.5 (1.5kW) – impeller diameter = 125 mm
 40-125/2.2 (2.2kW) – impeller diameter = 140 mm



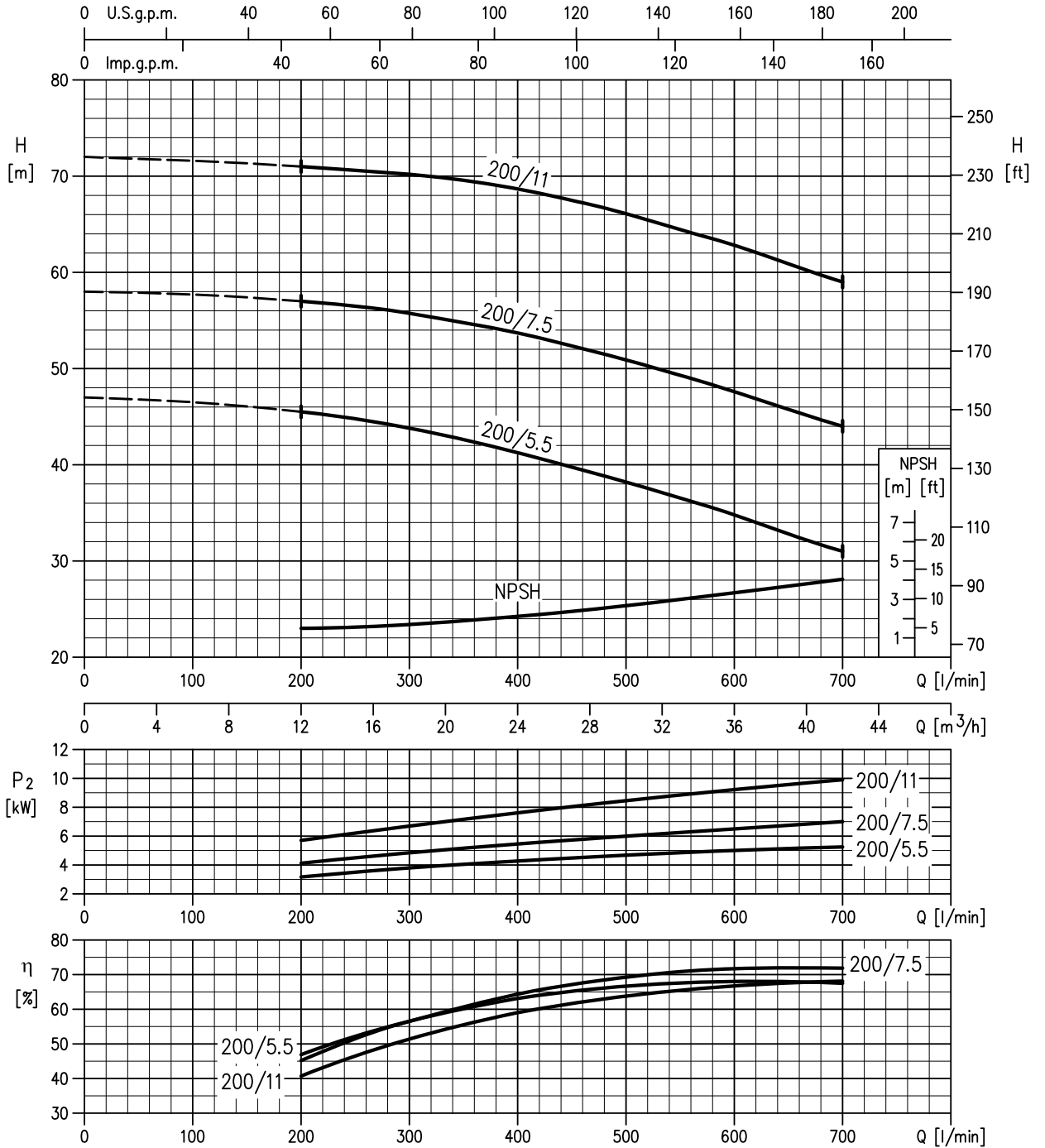
Rotation speed ≈ 2900 min⁻¹
 Test standard: ISO 9906 – Annex A

40-160/3 (3.0kW) – impeller diameter = 151 mm
 40-160/4 (4.0kW) – impeller diameter = 166 mm



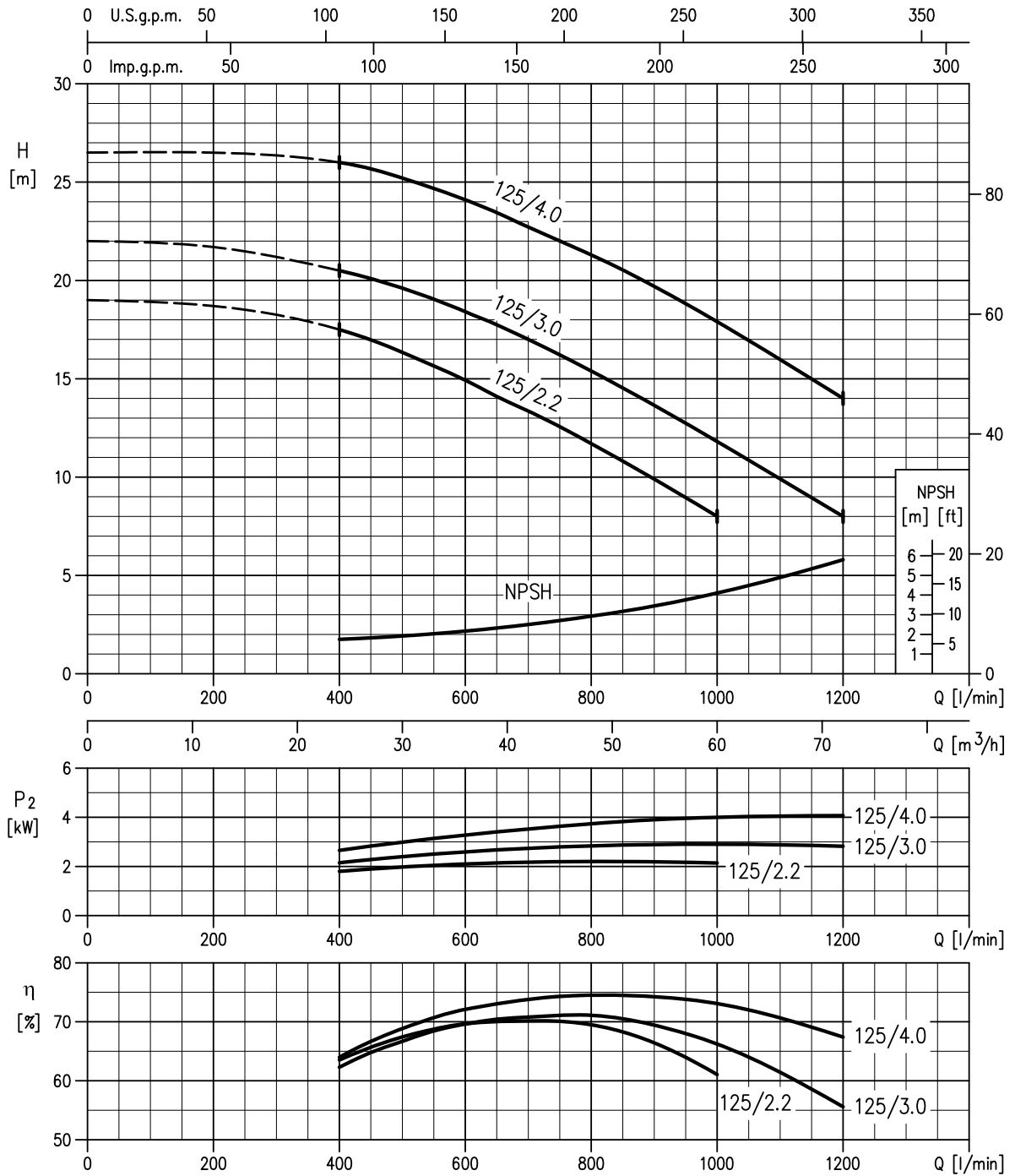
Rotation speed ≈ 2900 min⁻¹
 Test standard: ISO 9906 – Annex A

40-200/5.5 (5.5kW) – impeller diameter = 183 mm
 40-200/7.5 (7.5kW) – impeller diameter = 200 mm
 40-200/11 (11kW) – impeller diameter = 224 mm



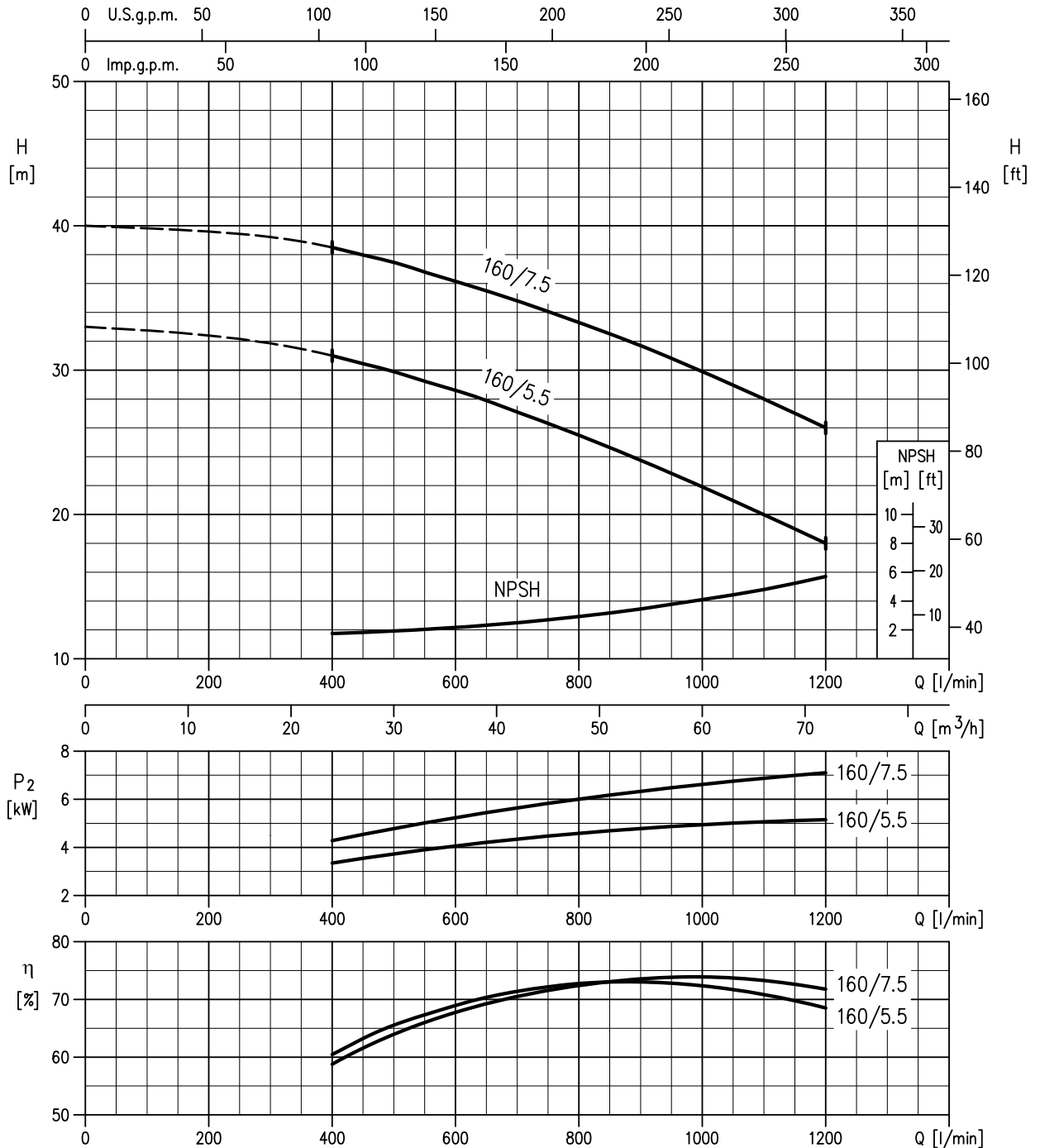
Rotation speed $\approx 2900 \text{ min}^{-1}$
 Test standard: ISO 9906 – Annex A

50-125/2.2 (2.2kW) – impeller diameter = 126 mm
 50-125/3 (3.0kW) – impeller diameter = 131 mm
 50-125/4 (4.0kW) – impeller diameter = 140 mm



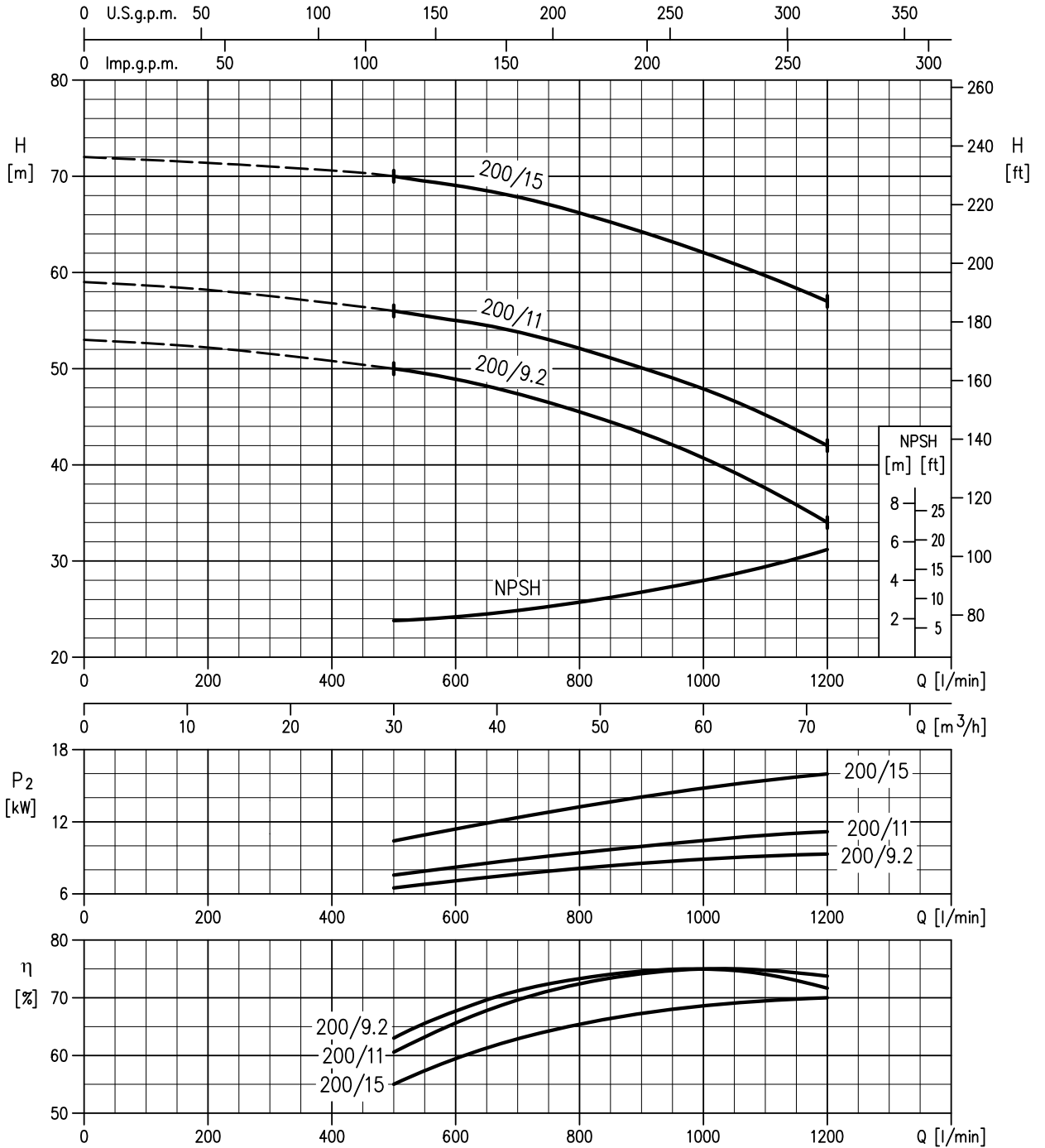
Rotation speed $\approx 2900 \text{ min}^{-1}$
 Test standard: ISO 9906 – Annex A

50-160/5.5 (5.5kW) – impeller diameter = 154 mm
 50-160/7.5 (7.5kW) – impeller diameter = 166 mm



Rotation speed ≈ 2900 min⁻¹
 Test standard: ISO 9906 – Annex A

50-200/9.2 (9.2kW) – impeller diameter = 191 mm
 50-200/11 (11kW) – impeller diameter = 200 mm
 50-200/15 (15kW) – impeller diameter = 224 mm



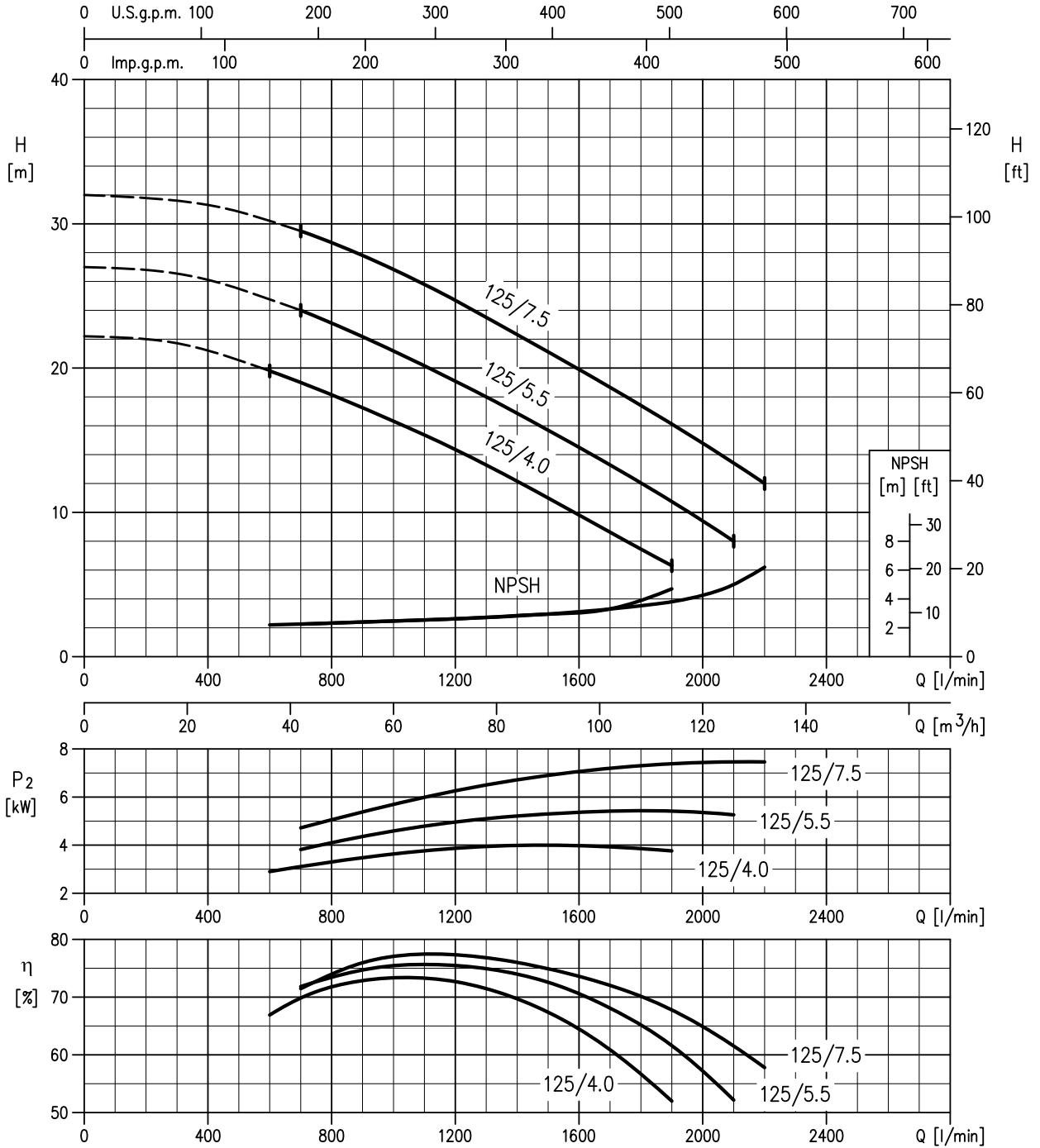
Rotation speed $\approx 2900 \text{ min}^{-1}$
 Test standard: ISO 9906 – Annex A

PERFORMANCE CURVE

50Hz

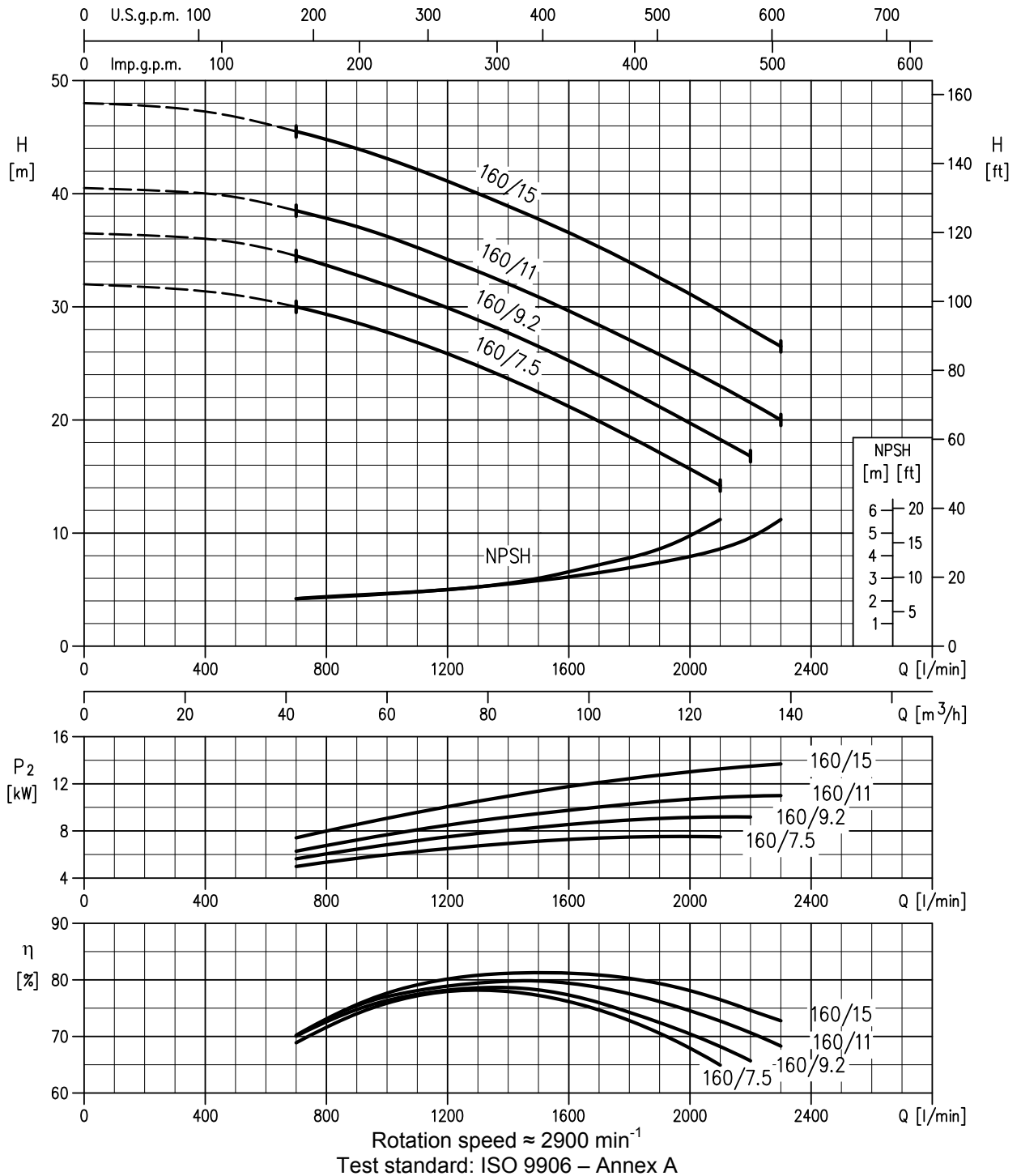
Rev. M

65-125/4 (4.0kW) – impeller diameter = 128 mm
 65-125/5.5 (5.5kW) – impeller diameter = 138 mm
 65-125/7.5 (7.5kW) – impeller diameter = 149 mm

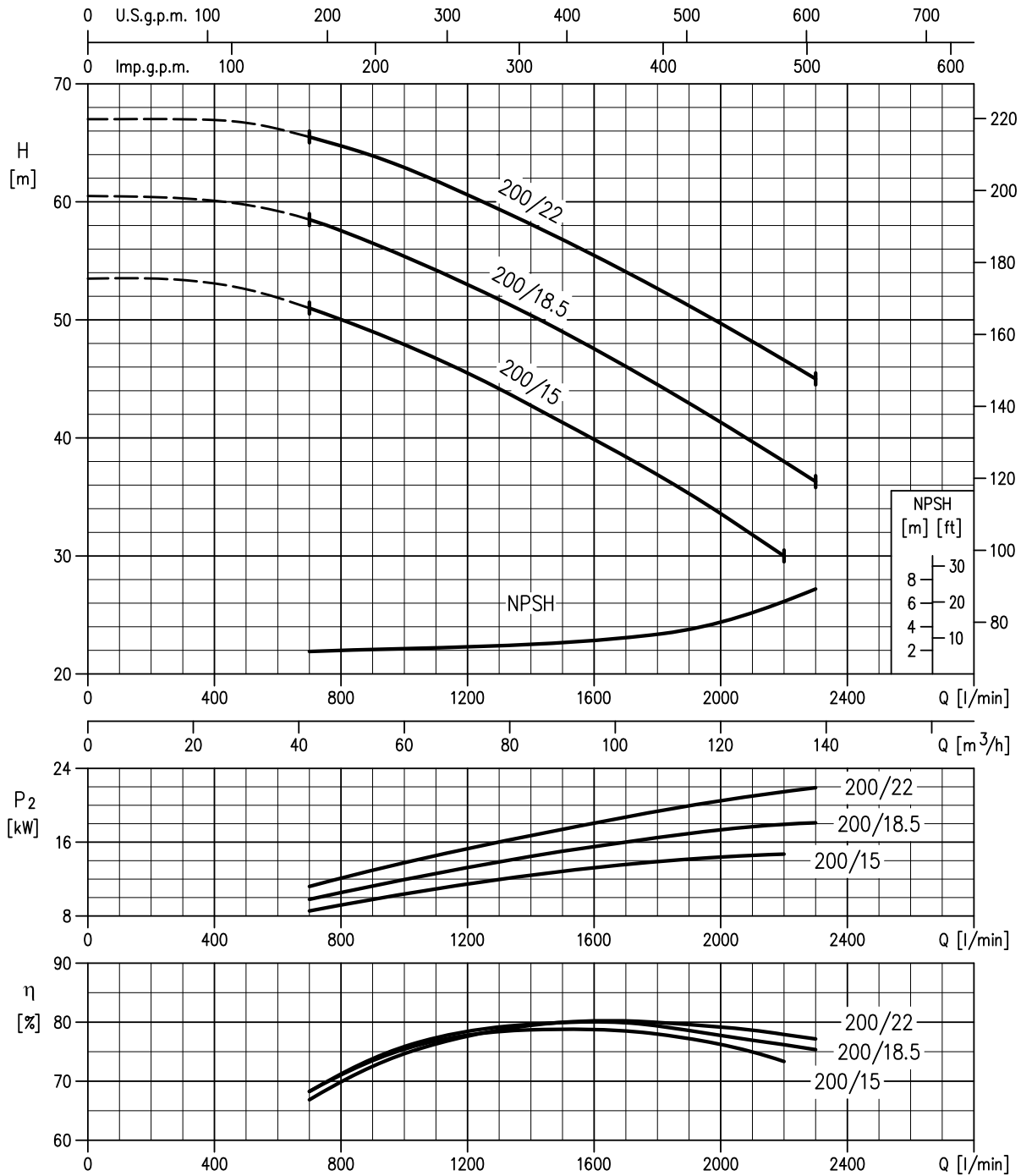


Rotation speed ≈ 2900 min⁻¹
 Test standard: ISO 9906 – Annex A

65-160/7.5 (7.5kW) – impeller diameter = 153 mm
 65-160/9.2 (9.2kW) – impeller diameter = 161 mm
 65-160/11 (11kW) – impeller diameter = 168 mm
 65-160/15 (15kW) – impeller diameter = 178 mm

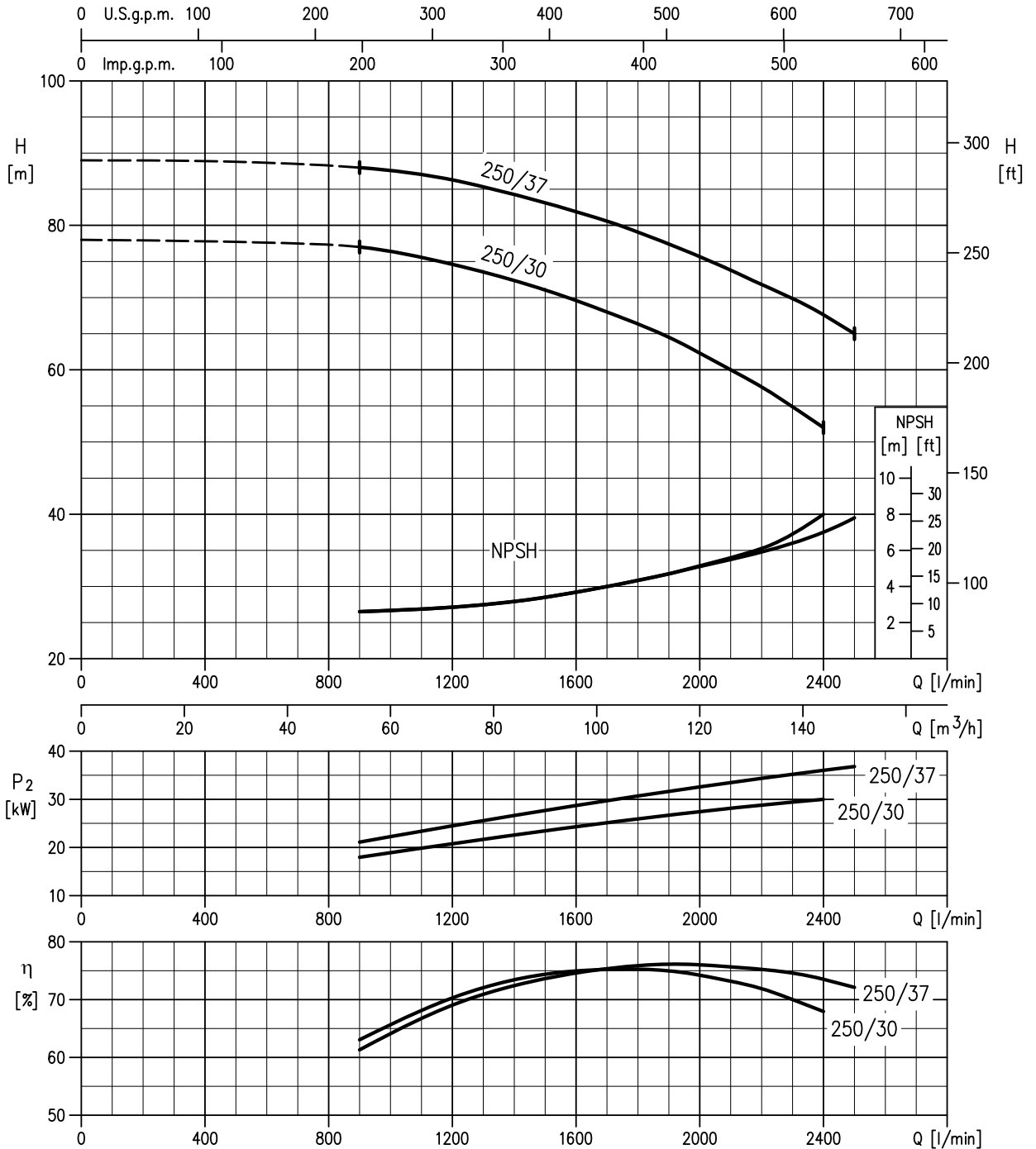


65-200/15 (15kW) – impeller diameter = 190 mm
 65-200/18.5 (18.5kW) – impeller diameter = 201 mm
 65-200/22 (22kW) – impeller diameter = 212 mm



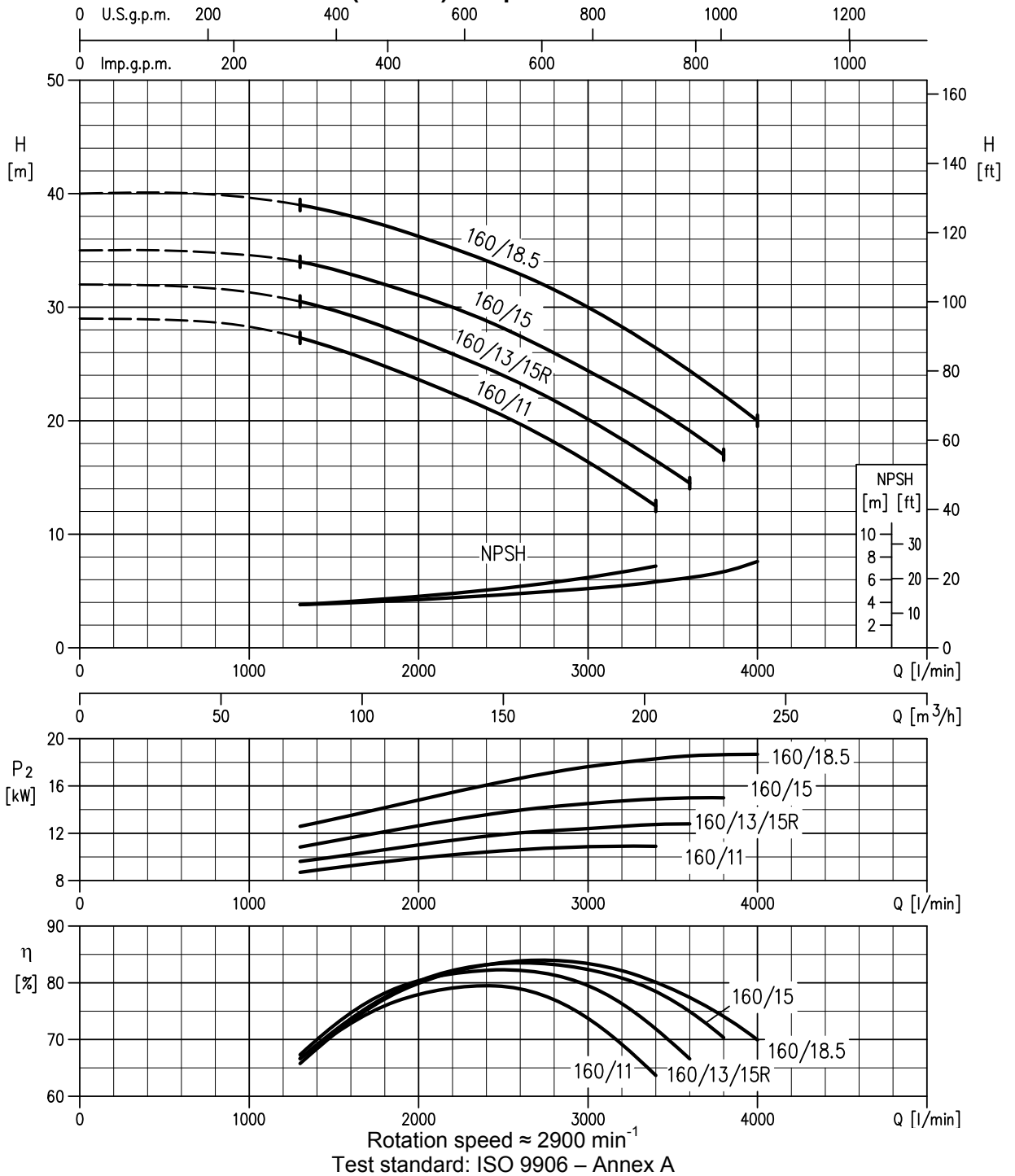
Rotation speed $\approx 2900 \text{ min}^{-1}$
 Test standard: ISO 9906 – Annex A

65-250/30 (30kW) – impeller diameter = 235 mm
 65-250/37 (37kW) – impeller diameter = 250 mm

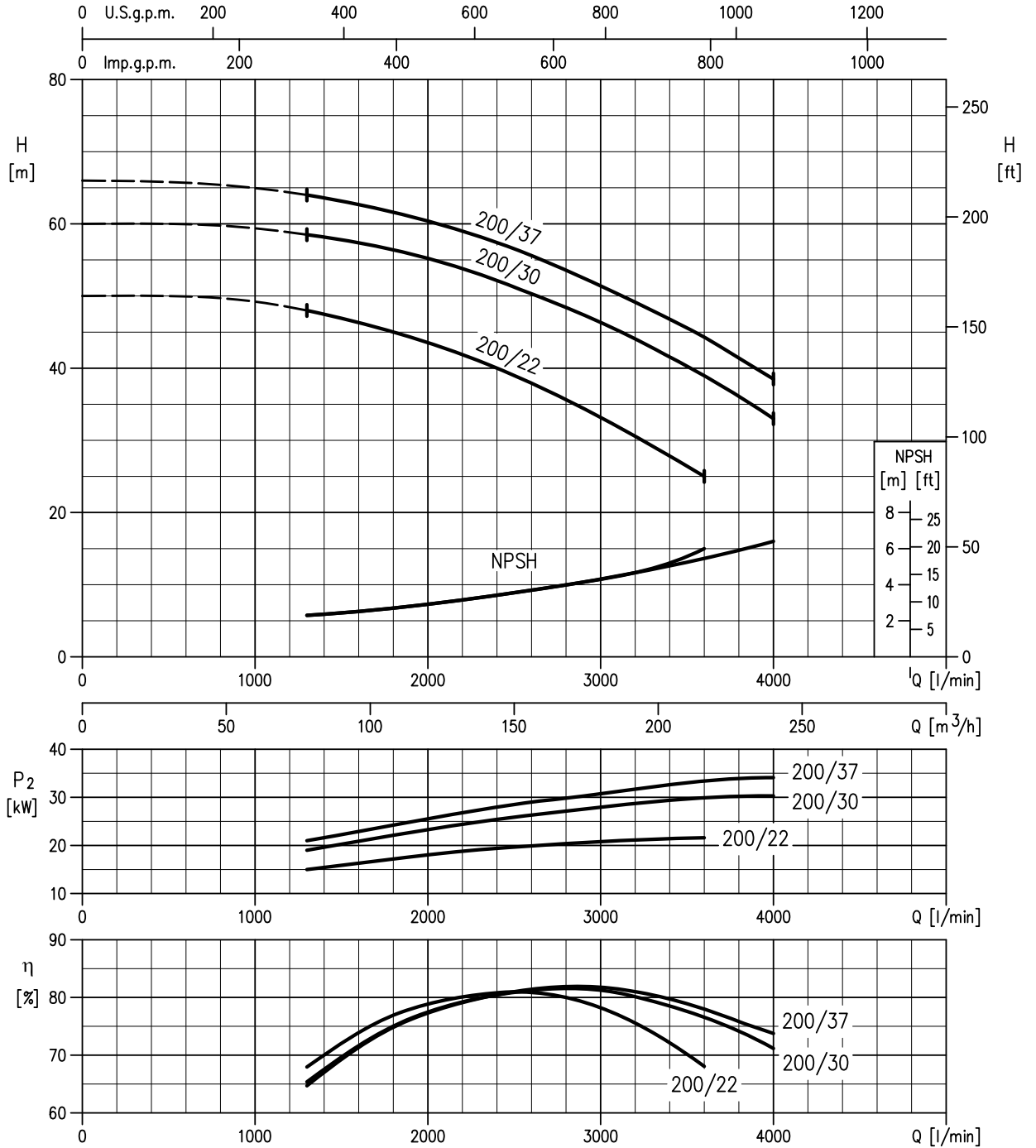


Rotation speed ≈ 2900 min⁻¹
 Test standard: ISO 9906 – Annex A

80-160/11 (11kW) – impeller diameter = 154 mm
 80-160/13 (13kW) – impeller diameter = 160 mm
 80-160/15R (15kW) – impeller diameter = 160 mm
 80-160/15 (15kW) – impeller diameter = 165 mm
 80-160/18.5 (18.5kW) – impeller diameter = 174 mm

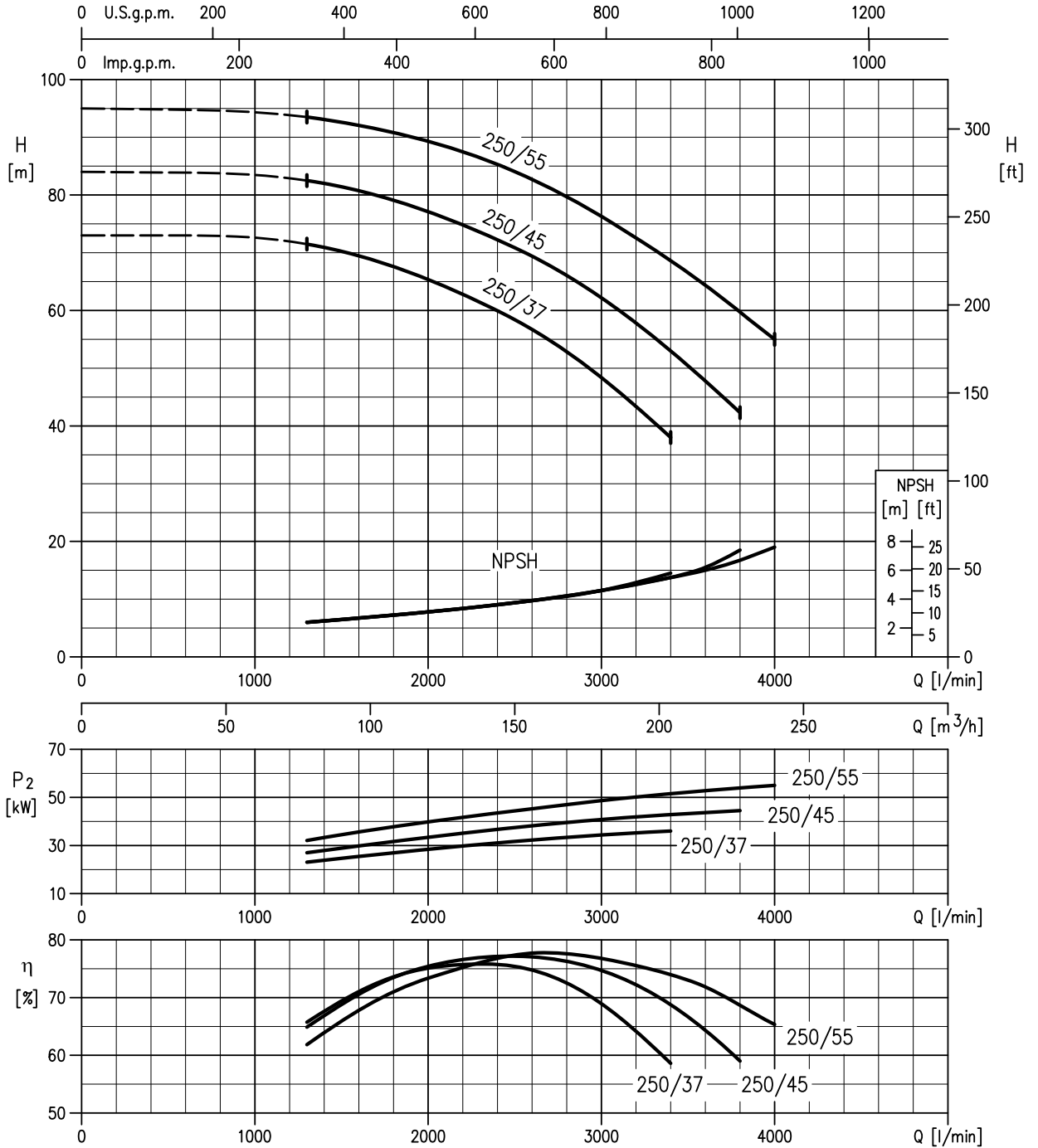


80-200/22 (22kW) – impeller diameter = 196 mm
 80-200/30 (30kW) – impeller diameter = 211 mm
 80-200/37 (37kW) – impeller diameter = 219 mm



Rotation speed $\approx 2900 \text{ min}^{-1}$
 Test standard: ISO 9906 – Annex A

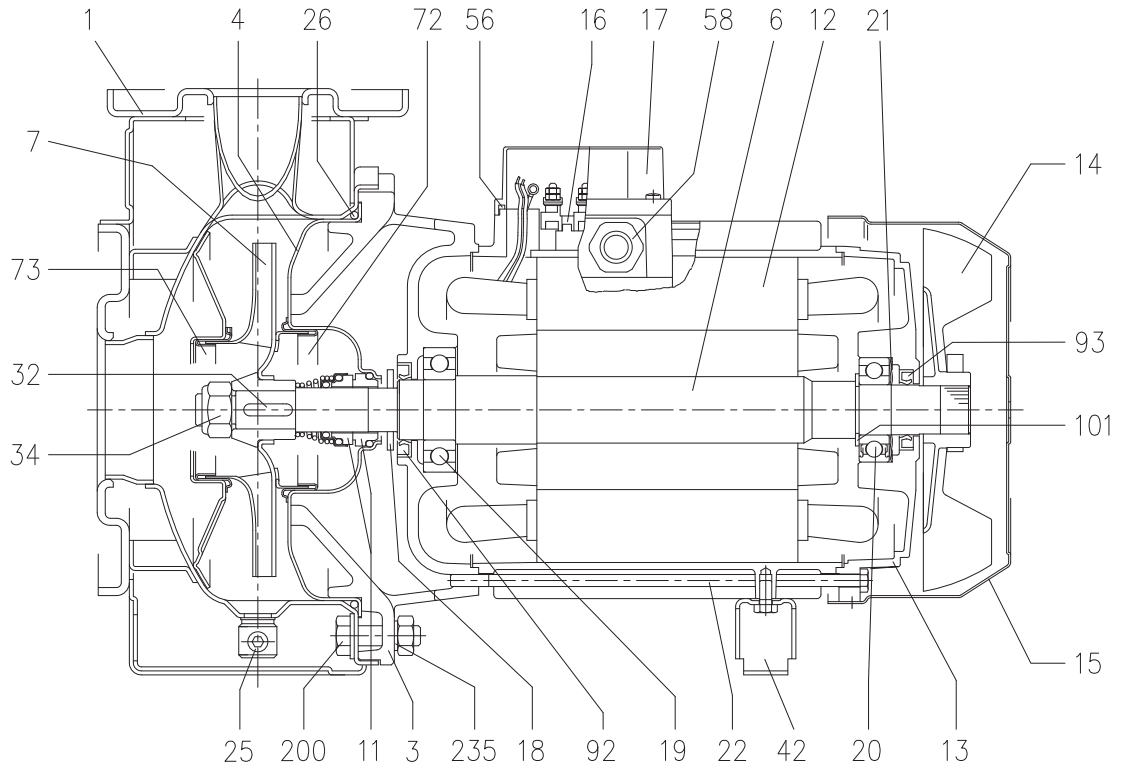
80-250/37 (37kW) – impeller diameter = 230 mm
 80-250/45 (45kW) – impeller diameter = 245 mm
 80-250/55 (55kW) – impeller diameter = 259 mm



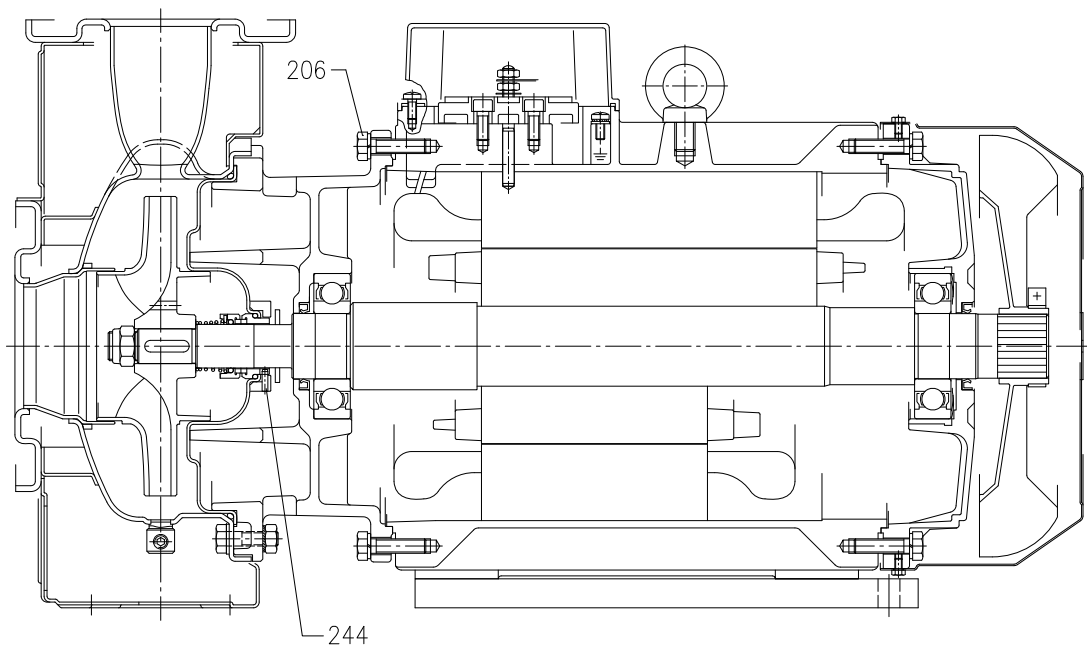
Rotation speed $\approx 2900 \text{ min}^{-1}$
 Test standard: ISO 9906 – Annex A

SECTIONAL VIEW DRAWING 3(.)M 32, 40, 50, 65-125/160/200

UP TO 11 kW



15 kW AND ABOVE



SECTIONAL VIEW TABLE 3(.)M 32, 40, 50, 65-125/160/200

N°	PART NAME	MATERIAL		DIMENSIONS	STANDARD	N. FOR		
		3M	3LM					
001	Casing	EN 1.4301 (AISI 304)	EN 1.4404 (AISI 316L)			1		
003	Motor bracket	Cast iron EN-GJL-200-EN 1561				1		
004	Casing cover	EN 1.4301 (AISI 304)	EN 1.4404 (AISI 316L)			1		
006	Shaft with rotor-Part in contact with liquid	EN 1.4301 (AISI 304)	EN 1.4404 (AISI 316L)			1		
007	Impeller	EN 1.4301 (AISI 304)	EN 1.4404 (AISI 316L)			1		
011	Mechanical seal [9]	Carbon/Ceramic/NBR	SiC/SiC/FPM	See p. 321-326		1		
012	Motor frame with stator	-				1		
013	Motor cover	Aluminium				1		
014	Fan	PA				1		
015	Fan cover	Fe P04 Zinc-coated				1		
016	Terminal	-				1		
017	Terminal box cover	Aluminium (three phase version)				1		
018	Splash ring	Up to 11 kW	NBR	/	40x21.5x3	EBARA DRAWING	[1]	
		15 kW and above			50x29.5x3			
019	Bearing	-		See table p.319		1		
020	Bearing	-		See table p.319		1		
021	Adjusting ring	Steel C70				1		
022	Tie rod	Up to 3 kW	Fe 42 Zinc-coated		M5	EBARA DRAWING	4	
		For 4 - 5.5 - 7.5 kW			M6			
		9.2 e 11kW			M8			
		15 kW and above			M10x40			
25	Draining plug	EN 1.4401 (AISI 316) / PTFE		R 1/8" L=8	DIN 906	1		
026	"O" ring	32-125, 40-125	NBR [8]	FPM	158.11x5.34	OR 6625	1	
		32-160, 40-160, 50-125, 65-160			183.52x5.34			OR 6720
		32-200, 40-200,50-160, 50-200, 65-160, 65-200			227.96x5.34			OR 6895
032	Key	Up to 11 kW	EN 1.4401 (AISI 316)		A 6x6x25	UNI 6604	1	
		15 kW and above			A 8x7x30			
034	Impeller nut	Up to 11kW	EN 1.4301 (AISI 304)	EN 1.4404 (AISI 316L)	M16x1.5	UNI 7474	1	
		50-200/15			M18x1.5			
		15 kW and above			M20x1.5			
042	Foot	Aluminium / Zinc-coated steel			EBARA DRAWING	[2]		
056	Box gasket	NBR				1		
058	Fasting nut	-				[3]		
072	Casing ring [4]	EN 1.4301 (AISI 304)	EN 1.4404 (AISI 316L)			1		
073	Casing ring	EN 1.4301 (AISI 304)	EN 1.4404 (AISI 316L)			1		
092	Lip seal	Up to 3kW	-	-	25x40x7	DIN 3760 without spring	1	
		From 4 to 7.5 kW			30x47X7			
		From 9.2 kW to 11 kW			40x55x7			
		From 15 kW to 22 kW			45x60x7			
093	Lip seal	Up to 4 kW	-	-	25x40x7	DIN 3760 without spring	1	
		From 5.5 kW to 7.5 kW			30x47X7			
		From 9.2 kW to 11 kW			40x55x7			
		From 15 kW to 22 kW			45x60x7			
101	Snap ring (only 9.2 and 11kW)	Carbon tool steels TC 80		Ø 40	UNI 7435	1		
200	Screw	32-125, 40-125	Stainless steel A2 70 class ISO 3506/1		M 8x30	UNI 5739	8	
		40-160, 40-200, 50-125, 50-160, 50-200, 65-125, 65-160, 65-200			M 10x35		[5]	
235	Washer	32-125, 40-125	EN 1.4301 (AISI 304)		8.4x17	UNI 6592	8	
		40-160, 40-200, 50-125, 50-160, 50-200, 65-125, 65-160, 65-201			10.5x21		[5]	
206	Screw for bracket [6]	Zn. Steel 8.8 strenght class ISO 898-1		M 10x40	UNI 5739	4		
244	Pin [7]	-	EN 1.4301 (AISI 304)	4x15		1		

Counterflange kit on request, see table p. 328-329

[1] Not for L version

[2] Quantity =0 for 65-160/15

Quantity =1 for 32-40-50 and 65 up to 11kW

Quantity =2 for 65-200/15, 65-200/18.5, 65-200/22

[3] Quantity =1 up to 11kW

Quantity =2 from 15kW to 22kW

[4] For version 32-200/3, 32-200/4, 32-200/5.5, 40-200/5.5, 40-200/7.5, 40-200/11, 50-160/5.5, 50-160/7.5, 50-200/9.2, 50-200/11, 50-200/15

[5] Quantity =10 for 32-160, 40-160, 50-125, 65-125

Quantity =12 for 32-200, 40-200, 50-160, 50-200, 65-160, 65-200

[6] For 15kW and above

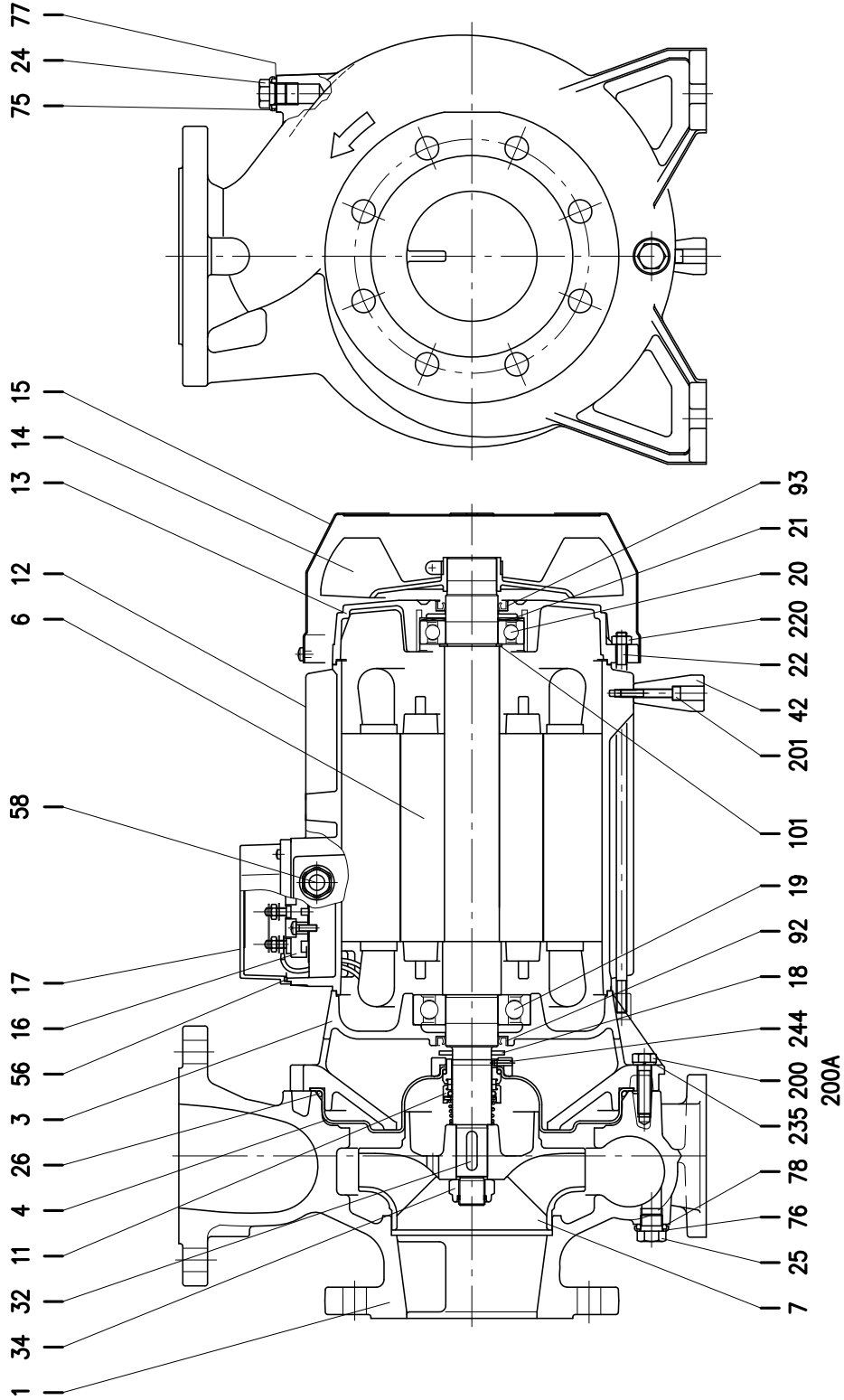
[7] Only for 65-160/15 and 65-200

[8] FPM for H-HS-HW-HSW version

EPDM for E version

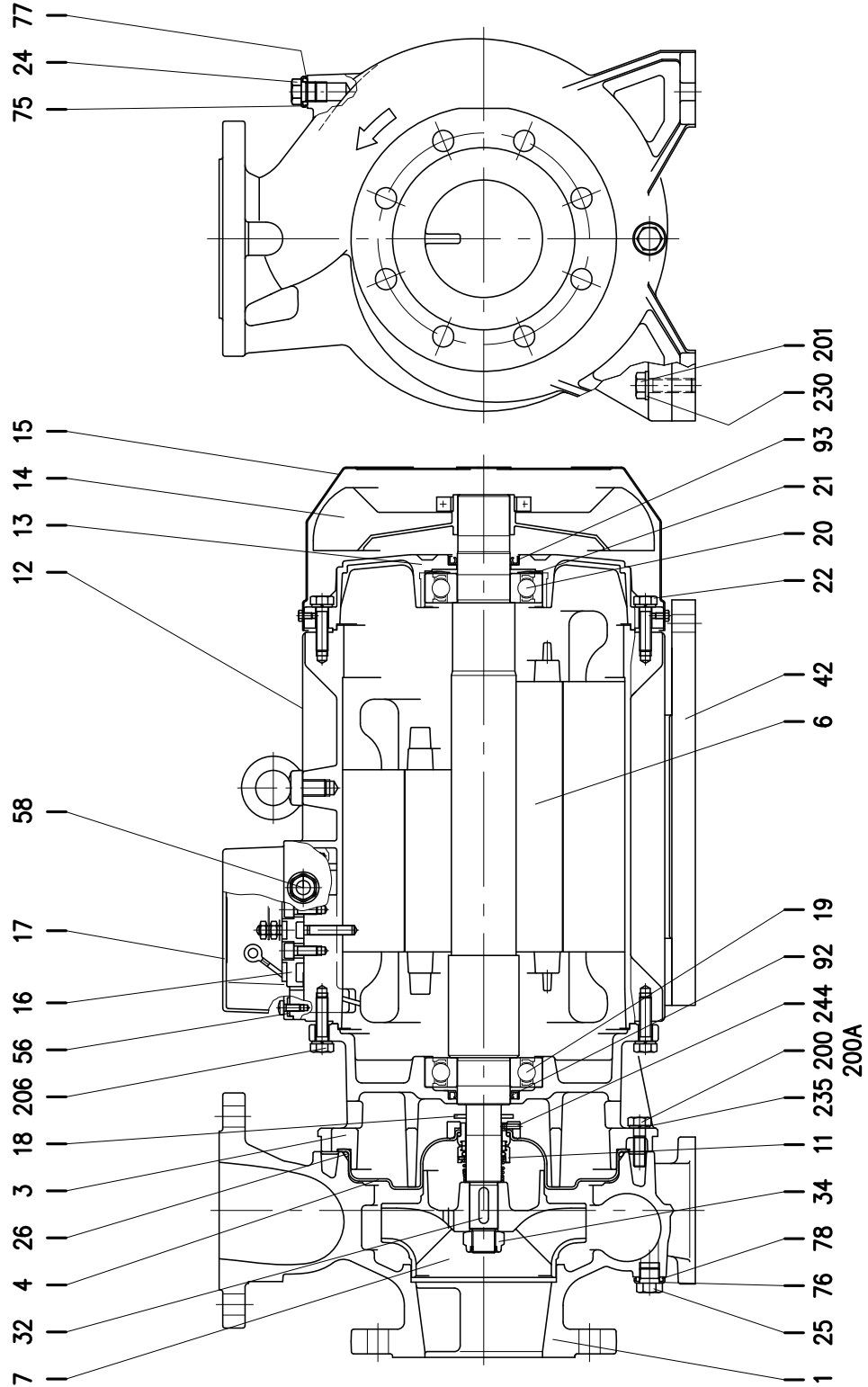
[9]] Special version: see page 321 and following

SECTIONAL VIEW DRAWING 3LM 80-160



80-160/11 - 80-160/13

SECTIONAL VIEW DRAWING 3LM 80-160



80-160/15 - 80-160/18.5

SECTIONAL VIEW TABLE 3LM 80-160

N°	PART NAME	MATERIAL	DIMENSIONS	STANDARD	N. FOR 1 UNIT
001	Casing	EN 1.4401 (AISI 316)			1
003	Motor bracket	Cast iron EN-GJL-200-EN 1561			1
004	Casing cover	EN 1.4404 (AISI 316L)			1
006	Shaft with rotor	EN 1.4404(AISI 316L) - Wet extension			1
007	Impeller	EN 1.4401 (AISI 316)			1
011	Mechanical seal [5]	SiC/SiC/FPM	See p. 321-326		1
012	Motor frame with stator	-			1
013	Motor cover	Aluminium			1
014	Fan	PA			1
015	Fan cover	Fe P04 Zinc-coated			1
016	Terminal	-			1
017	Terminal box cover	Aluminium			1
018	Splash ring	NBR	50x29.5x3	EPE DRAWING	1
019	Bearing	-	See table p. 319		1
020	Bearing	-	See table p. 319		1
021	Adjusting ring	Steel C70			1
022	Screw	Zn. Steel 8.8 strenght class ISO 898/1		EPE DRAWING	4
024	Plug	EN 1.4404 (AISI 316L)	G 3/8	EPE DRAWING	1
025	Plug	EN 1.4404 (AISI 316L)	G 3/8	EPE DRAWING	1
026	"O" ring	FPM	227.96x5.34	OR 6895	1
032	Key	EN 1.4404 (AISI 316L)	8x7x30	UNI 6604	1
034	Impeller nut	Aluminium	M20x1.5	UNI 7474	1
042	Foot	Aluminium		EPE DRAWING	[1]
056	Box gasket	NBR			1
058	Fasting nut	-			[2]
075	Washer (plug)	EN 1.4404 (AISI 316L)			1
076	Washer (plug)				1
077	O-ring (plug)				1
078	O-ring (plug)	FPM [4]			1
092	Lip seal	-	11 - 13 kW	DIN 3760	1
			15 - 18.5 kW	without spring	1
093	Lip seal	-	11 - 13 kW	DIN 3760	1
			15 - 18.5 kW	without spring	1
101	Snap ring (only 11 - 13 kW)	Carbon tool steels TC 80	Ø 40	UNI 7435	1
200	Screw	Stainless steel A2-70 class ISO 3506/1	M 10x35	UNI 5739	10
200A	Screw		M 10x30		2
201	Screw	Stainless steel A2-70 class ISO 3506/1	M 6x40	UNI 5739	1
			M 12x40		4
206	Screw for bracket (only 15 - 18.5 kW)	Zincate steel 8.8 strenght class ISO 898/1	M 10x40	UNI 5739	4
220	Nut for tie rod (only 11 - 13 kW)	Zincate steel	M10		4
230	Washer	-	11 - 13 kW	-	-
			15 - 18.5 kW	Zincate steel	13x24x2.5
235	Washer	EN 1.4301(AISI 304)	10.5	UNI 6592	12
244	Pin [3]	EN 1.4301(AISI 304)	4x15		1

Counterflange kit on request, see p. 328-329

[1] Quantity =1 for version 80-160/11 and 80-160/13
Quantity =2 for version 80-160/15 and 80-160/18.5

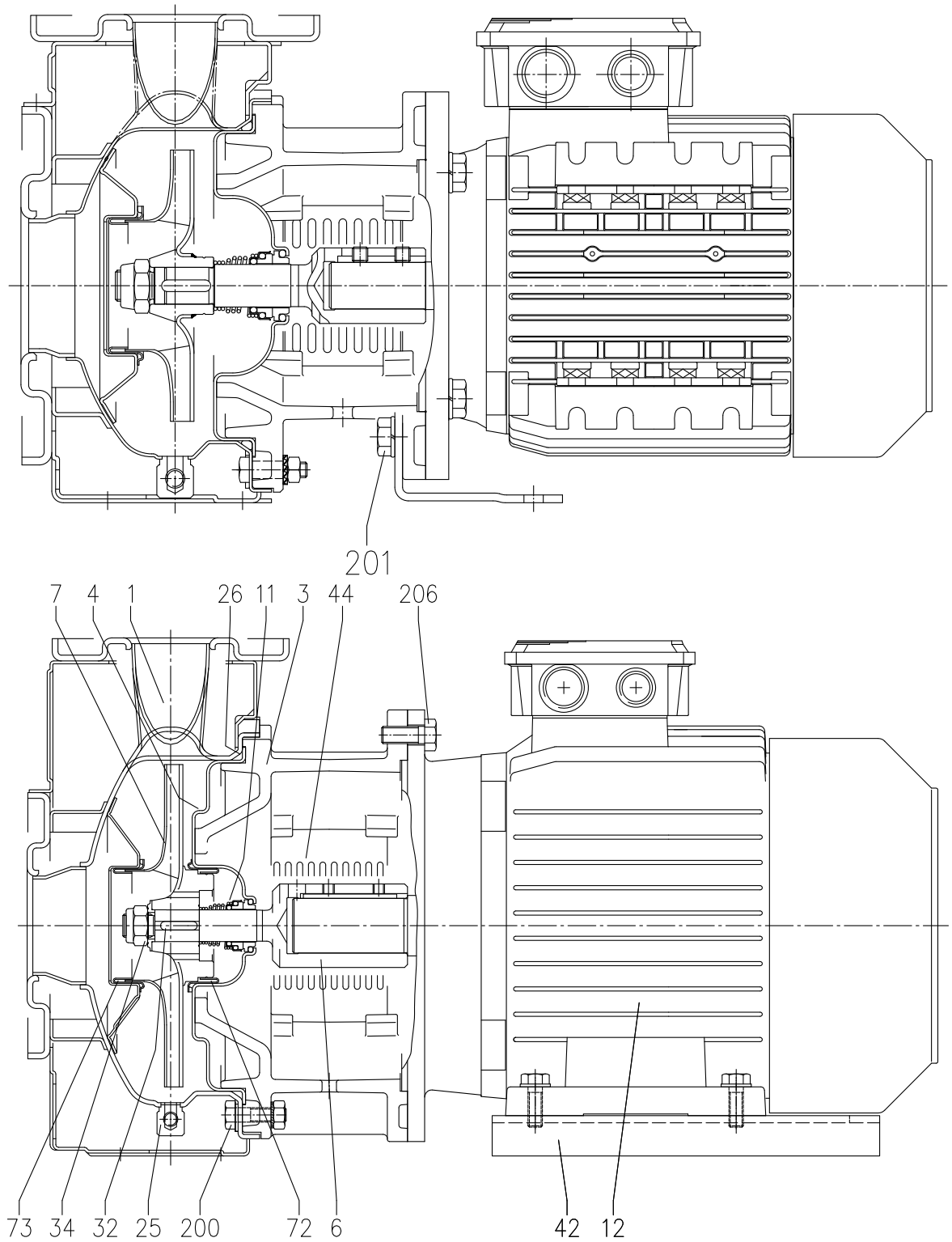
[2] Quantity =1 for version 80-160/11 and 80-160/13
Quantity =2 for version 80-160/15 and 80-160/18.5

[3] Not for H and E version

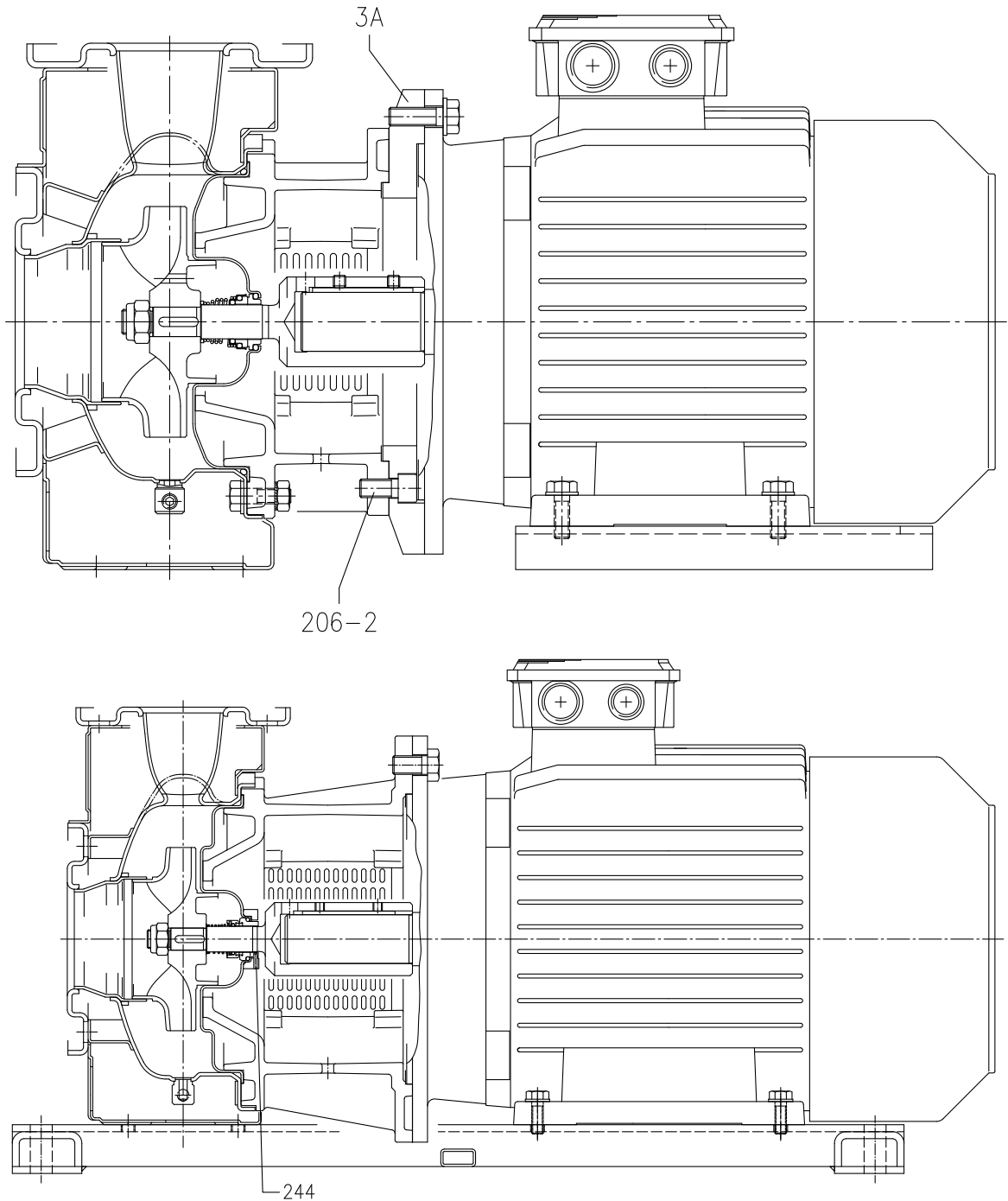
[4] EPDM for E version

[5] Special version: see page 321 and following

SECTIONAL VIEW DRAWING 3(.)S 32, 40, 50



SECTIONAL VIEW DRAWING 3(.)S 65-125/160/200



SECTIONAL VIEW TABLE 3(.)S 32, 40, 50, 65-125/160/200

N°	PART NAME		MATERIAL		DIMENSIONS	STANDARD
			3S	3LS		
001	Casing		EN 1.4301 (AISI 304)	EN 1.4404 (AISI 316L)		
003	Motor bracket		Cast iron EN-GJL-200-EN 1561			
003A	Adapter ring [1]		Cast iron EN-GJL-200-EN 1561			
004	Casing cover		EN 1.4301 (AISI 304)	EN 1.4404 (AISI 316L)		
006	Coupling - Part in contact with liquid		EN 1.4301 (AISI 304)	EN 1.4404 (AISI 316L)	See table p. 326	
007	Impeller		EN 1.4301 (AISI 304)	EN 1.4404 (AISI 316L)		
011	Mechanical seal [7]		Carbon/Ceramic/NBR	SiC/SiC/FPM	See p. 321-326	
012	Motor		-			
025	Draining plug		EN 1.4401 (AISI 316) / PTFE		R 1/8" L=8	DIN 906
026	"O" ring	32-125, 40-125	NBR [8]	FPM	158.11x5.34	OR 6625
		32-160, 40-160, 50-125, 65-125			183.52x5.34	OR 6720
		32-200, 40-200, 50-160, 50-200, 65-160, 65-200			227.96x5.34	OR 6895
032	Key	Up to 11 kW	EN 1.4401 (AISI 316)		6x6x25	UNI 6604
		15 kW and above			8x7x30	
034	Impeller nut	Up to 11kW	EN 1.4301 (AISI 304)	EN 1.4404 (AISI 316L)	M16x1.5	UNI 7474
		50-200/15			M18x1.5	
		15 kW and above			M20x1.5	
042	Foot		Aluminium / Zinc-coated steel			
044	Protection		EN 1.4301 (AISI 304)			EBARA DRAWING
072	Casing ring [3]		EN 1.4301 (AISI 304)	EN 1.4404 (AISI 316L)		
073	Casing ring (not for 65 version)		EN 1.4301 (AISI 304)	EN 1.4404 (AISI 316L)		
200	Screw	32-125, 40-125	Stainless steel A2 70 class ISO 3506/1		M 8x30	UNI 5739
		50-200, 65-125, 65-160, 65-200			M 10x35	UNI 5739
201	Screw		Zn. Steel 8.8 strenght class ISO 898/1		M 10x16	UNI 5739
206	Screw for bracket		Zn. Steel 8.8 strenght class ISO 898/1		M 10x40	UNI 5739
206-2	Screw adapter ring [1]		Zn. Steel 8.8 strenght class ISO 898/1			UNI 5931
235	Washer	32-125, 40-125	Stainless steel A2 70 class ISO 3506/1		M 8.4x17	UNI 6592
		50-200, 65-125, 65-160, 65-200			M 10.5x21	UNI 6592
244	Pin [6]		-	EN 1.4301 (AISI 304)		UNI 5931

Counterflange kit on request see p. 328-329

[1] Only for version 65-125/5.5 and 65-125/7.5

[2] Quantity =0 for version 65-200/22

Quantity =1 for version for 32, 40, 50, 65-125/5.5, 65-125/7.5, 65-160/11, 65-160/15, 65-200/15, 65-200/18.5

Quantity =2 for version for 65-125/4, 65-160/7.5, 65-160/9.2

[3] Only for version 32-200, 40-200, 50-160, 50-200

[4] Quantity =10 for 32-160, 40-160, 50-125, 65-125

Quantity =12 for 32-200, 40-200, 50-160, 50-200, 65-160, 65-200

[5] Only for version 32-125/1.1, 32-160/1.5, 32-160/1.5, 32-160/2.2, 40-125/1.5, 40-125/2.2, 50-125/2.2

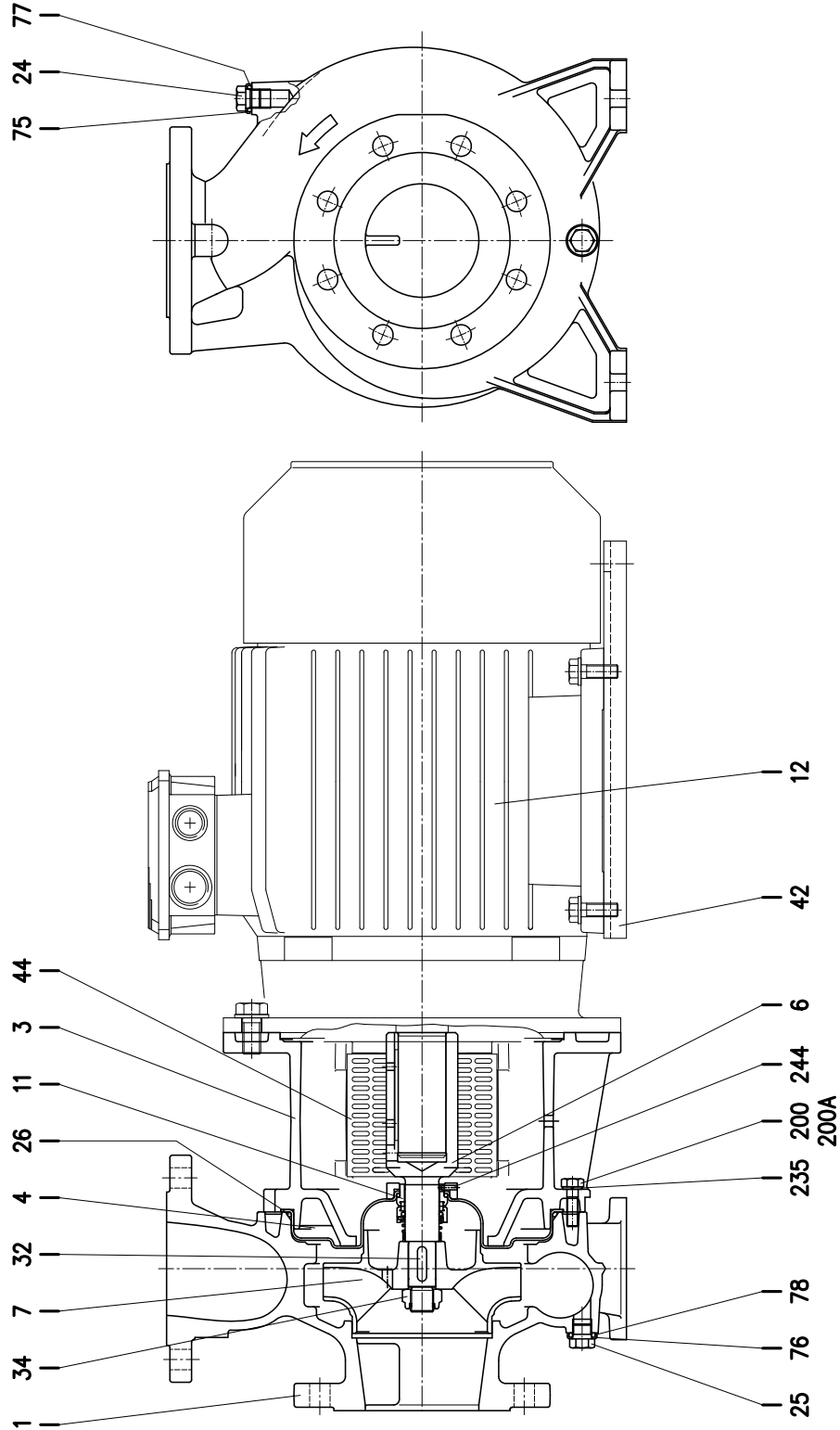
[6] Only for 65-160/15, 65-200

[7] Special version: see page 321 and following

[8] FPM for H-HS-HW-HSW version

EPDM for E version

SECTIONAL VIEW DRAWING 3LS 80-160



SECTIONAL VIEW TABLE 3LS 80-160

N°	PART NAME	MATERIAL	DIMENSIONS	STANDARD	N. FOR 1 UNIT
001	Casing	EN 1.4401 (AISI 316)			1
003	Motor bracket	Cast iron EN-GJL-200-EN 1561			1
004	Casing cover	EN 1.4404 (AISI 316L)			1
006	Coupling	EN 1.4404 (AISI 316L)	See table p. 326		1
007	Impeller	EN 1.4401 (AISI 316)			1
011	Mechanical seal [3]	SiC/SiC/FPM	See p. 321-326		1
012	Motor	-			1
024	Plug	EN 1.4404 (AISI 316L)	G3/8	EPE DRAWING	1
025	Plug	EN 1.4404 (AISI 316L)	G3/8	EPE DRAWING	1
026	"O" ring	FPM [2]	227.96x5.34	OR 6895	1
032	Key	EN 1.4401 (AISI 316)	8x7x30	UNI 6604	1
034	Impeller nut	EN 1.4404 (AISI 316L)	M20x1.5	UNI 7474	1
042	Foot	Aluminium		EPE DRAWING	2
044	Protection	EN 1.4301 (AISI 304)		EPE DRAWING	2
075	Washer (plug)	EN 1.4404 (AISI 316L)			1
076	Washer (plug)				1
077	O-ring (plug)	FPM [2]			1
078	O-ring (plug)				1
200	Screw	Stainless steel A2-70 class ISO 3506/1	M 10x35	UNI 5739	10
200A	Screw		M 10x30		2
235	Washer	EN 1.4301(AISI 304)	10.5x21	UNI 6592	12
244	Pin [1]	EN 1.4301(AISI 304)	4x15		1

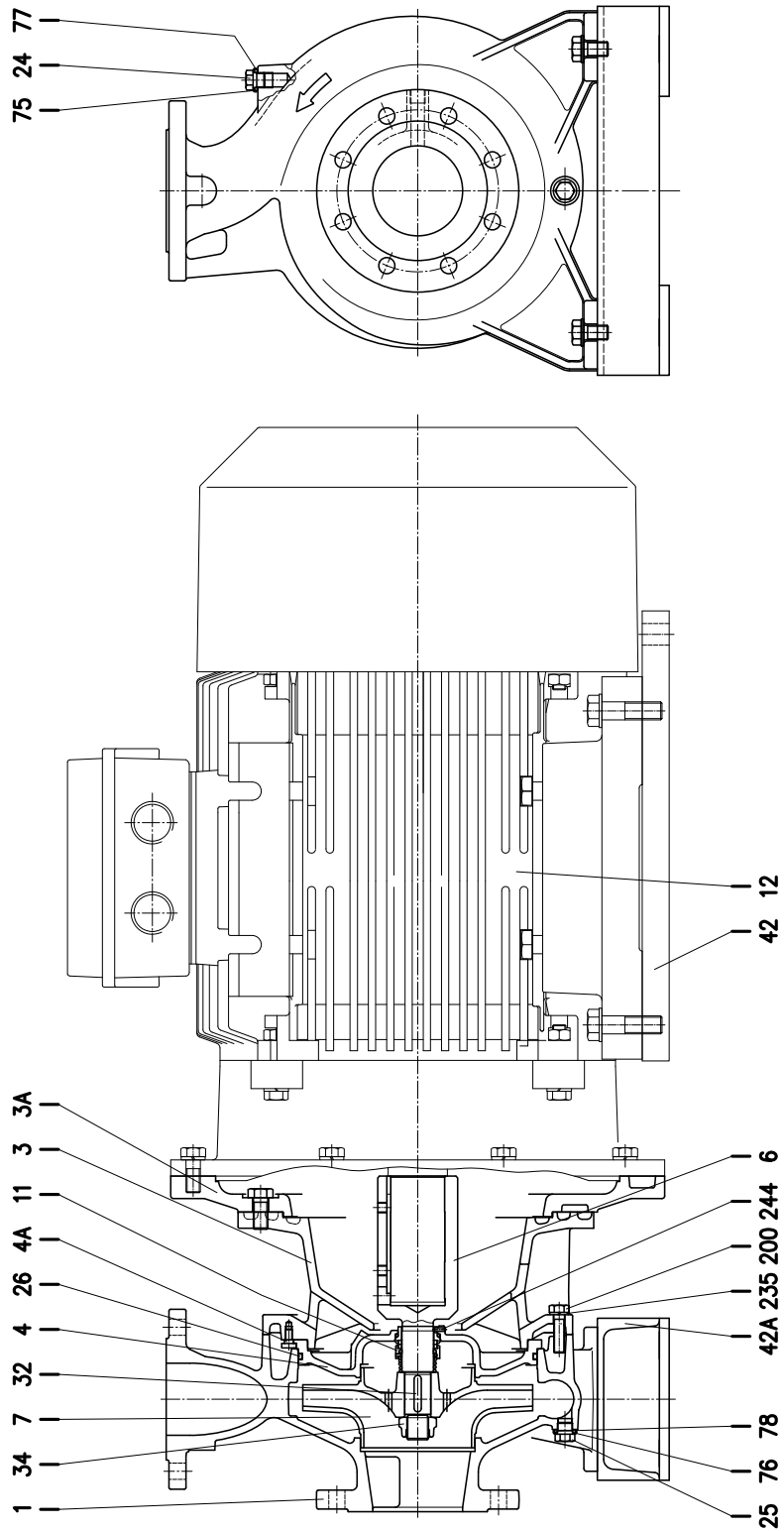
Counterflange kit on request see p. 328-329

[1] Not for H and E version.

[2] EPDM for E version

[3] Special version: see page 321 and following

SECTIONAL VIEW DRAWING 3LS 65-250, 80-200/250



SECTIONAL VIEW TABLE 3LS 65-250, 80-200/250

N°	PART NAME		MATERIAL	DIMENSIONS	STANDARD	N. FOR 1 UNIT	
			3LS				
001	Casing		EN 1.4401 (AISI 316)			1	
003	Motor bracket		Cast iron EN-GJL-200-EN 1561			1	
003A	Adapter ring		Cast iron EN-GJL-200-EN 1561			[1]	
004	Casing cover		EN 1.4401 (AISI 316)			1	
004A	Screw for casing cover		EN 1.4301(AISI 304)			2	
006	Coupling	65-250	d=24 mm	EN 1.4404 (AISI 316L) for 22 kW	See table p. 326	1	
				EN 1.4462 (Duplex stainless steel) for 30-37 kW		1	
		80-200	d=24 mm	EN 1.4404 (AISI 316L) for 22 kW		1	
				EN 1.4462 (Duplex stainless steel) for 30-37 kW		1	
		80-250	d=29 mm	EN 1.4462 (Duplex stainless steel)		1	
007	Impeller		EN 1.4401 (AISI 316)			1	
011	Mechanical seal [6]		SiC/SiC/FPM	See p. 321-326		1	
012	Motor		-			1	
024	Plug		EN 1.4404 (AISI 316L)	G3/8	EPE DRAWING	1	
025	Plug		EN 1.4404 (AISI 316L)	G3/8	EPE DRAWING	1	
026	"O" ring		FPM [5]	253.36x5.34	OR 6995	1	
032	Key	65-250	d=24 mm	EN 1.4401 (AISI 316)	8x7x30	UNI 6604	
		80-200					
		80-250	d=29 mm				8x7x40
034	impeller nut	65-250	d=24 mm	EN 1.4404 (AISI 316L)	M20x1.5	UNI 7474	
		80-200					
		85-250	d=29 mm				M24x2
042	Foot for motor		Aluminium			[2]	
042A	Foot for pump		Aluminium/zincate steel (only for 80-250/55)		EPE DRAWING	[3]	
075	Washer (plug)		EN 1.4404 (AISI 316L)			1	
076	Washer (plug)					1	
077	O-ring (plug)			FPM [5]			1
078	O-ring (plug)						1
200	Screw		Stainless steel A2-70 class ISO 3506/1	M 12x45	UNI 5739	10	
235	Washer		C70	13	UNI 1751	10	
244	Pin [4]		EN 1.4301(AISI 304)	4x12		1	

Counterflange kit on request, see table p. 328-329

[1] Only for 65-250/37 , 80-200/37 , 80-250/37 – 80-250/45 and 80-250/55

[2] Quantity =2 for 80-250/55

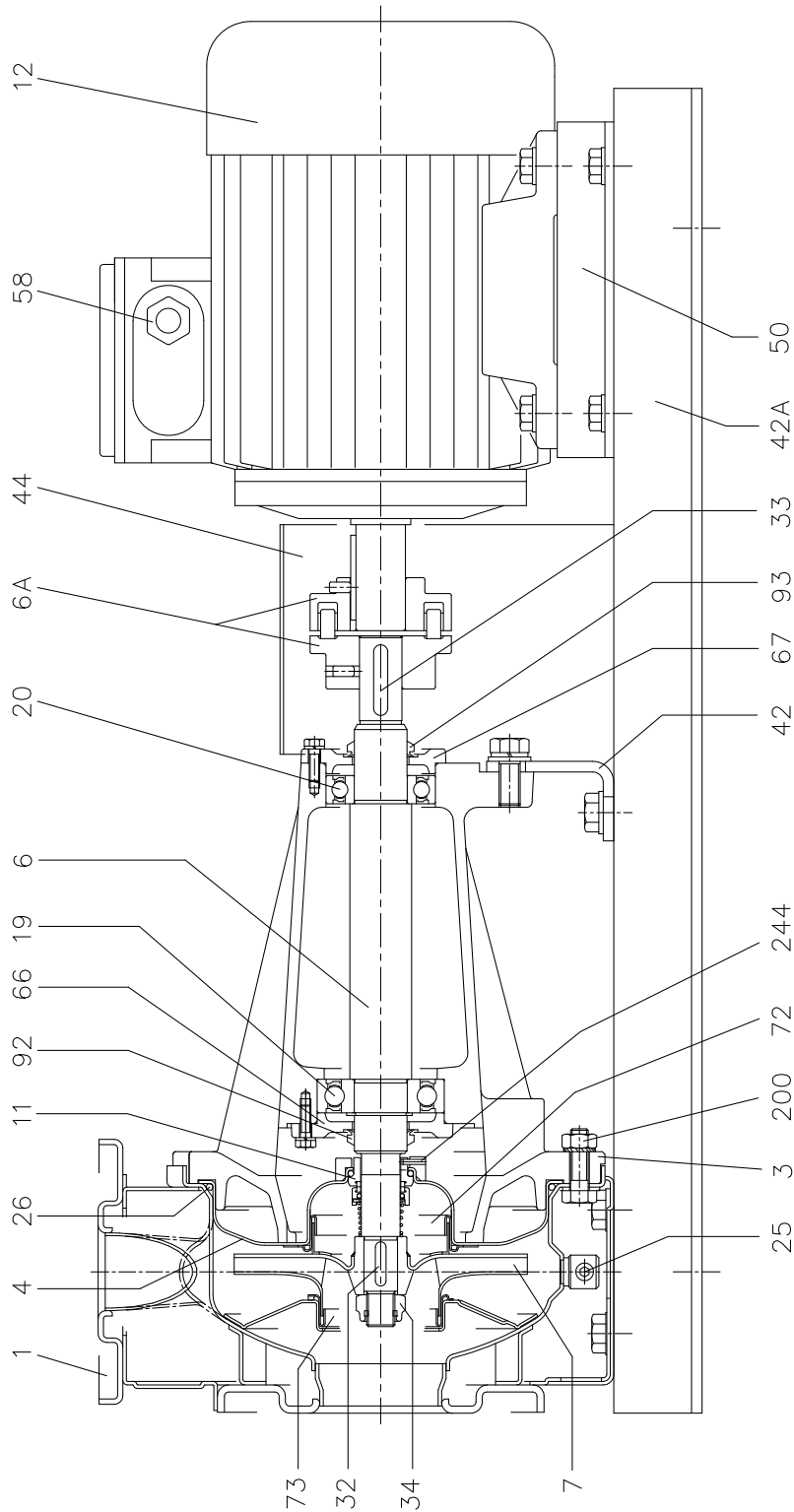
[3] Quantity =2 for 80-200/30 , 80-200/37 , 80-250/45
Quantity =1 for 80-250/55

[4] Not for H and E version

[5] EPDM for E version

[6] Special version: see page 321 and following

SECTIONAL VIEW DRAWING 3(.)P 32, 40, 50, 65-125/160/200



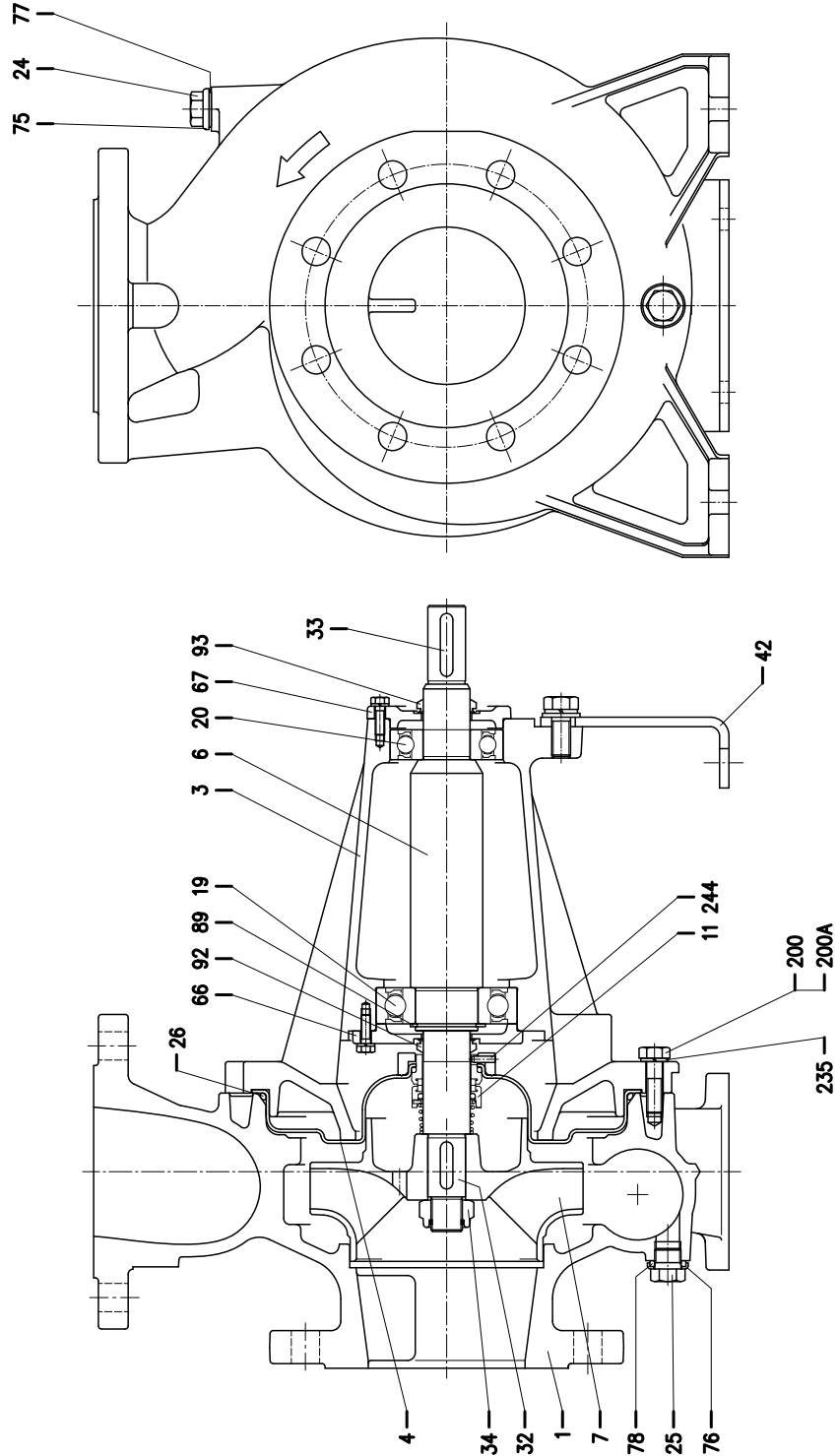
SECTIONAL VIEW TABLE 3(.)P 32, 40, 50, 65-125/160/200

N°	PART NAME	MATERIAL		DIMENSIONS	STANDARD		
		3P	3LP				
001	Casing	EN 1.4301 (AISI 304)	EN 1.4404 (AISI 316L)				
003	Support	Cast iron EN-GJL-200-EN 1561					
004	Casing cover	EN 1.4301 (AISI 304)	EN 1.4404 (AISI 316L)				
006	Shaft - Part in contact with liquid	EN 1.4301 (AISI 304)	EN 1.4404 (AISI 316L)				
006 A	Flexible coupling	Cast iron EN-GJL-250-EN 1561		See table pag. 327			
007	Impeller	EN 1.4301 (AISI 304)	EN 1.4404 (AISI 316L)				
011	Mechanical seal	[5] Carbon/Ceramic/NBR	SiC/SiC/FPM	See p. 321-326			
012	Motor						
019	Bearing			See table p. 320			
020	Bearing			See table p. 320			
025	Draining plug	EN 1.4401 (AISI 316) / PTFE		R 1/8" L=8	DIN 906		
026	"O" ring	NBR [4]	FPM	158.11x5.34	OR 6625		
				183.52x5.34	OR 6720		
				227.96x5.34	OR 6895		
032	Key	Up to 11 kW	EN 1.4401 (AISI 316)	6x6x25	UNI 6604		
				15 kW and above		8x7x30	
033	Key	C 40		8x7x40	UNI 6604		
034	Impeller nut	Up to 11kW	EN 1.4301 (AISI 304)	EN 1.4404 (AISI 316L)	M16x1.5	UNI 7474	
					50-200/15		M18x1.5
					15 kW and above		M20x1.5
042	Pump support	Fe 37 Zincate			EBARA DRAWING		
42A	Base	Fe 37 Zincate					
044	Protection	Fe 37 Zincate					
050	Foot	Aluminium / Zincate steel					
058	Fasting nut						
066	Impeller side bearing cover	Cast iron EN-GJL-200-EN 1561					
067	Motor side bearing cover	Cast iron EN-GJL-200-EN 1561					
072	Casing ring [1]	EN 1.4301 (AISI 304)	EN 1.4404 (AISI 316L)				
073	Casing ring (not for 65 version)	EN 1.4301 (AISI 304)	EN 1.4404 (AISI 316L)				
092	"V" ring			VS - 0030			
093	"V" ring			VS - 0030			
200	Screw	32-125, 40-125	Stainless steel A2 70 class ISO 3506/1	M 8x30	UNI 5739		
				40-160, 40-200, 50-125, 50-160,	UNI 5739		
				50-200, 65-125, 65-160, 65-200			
244	Pin [3]	/	EN 1.4301 (AISI 304)	4x15			

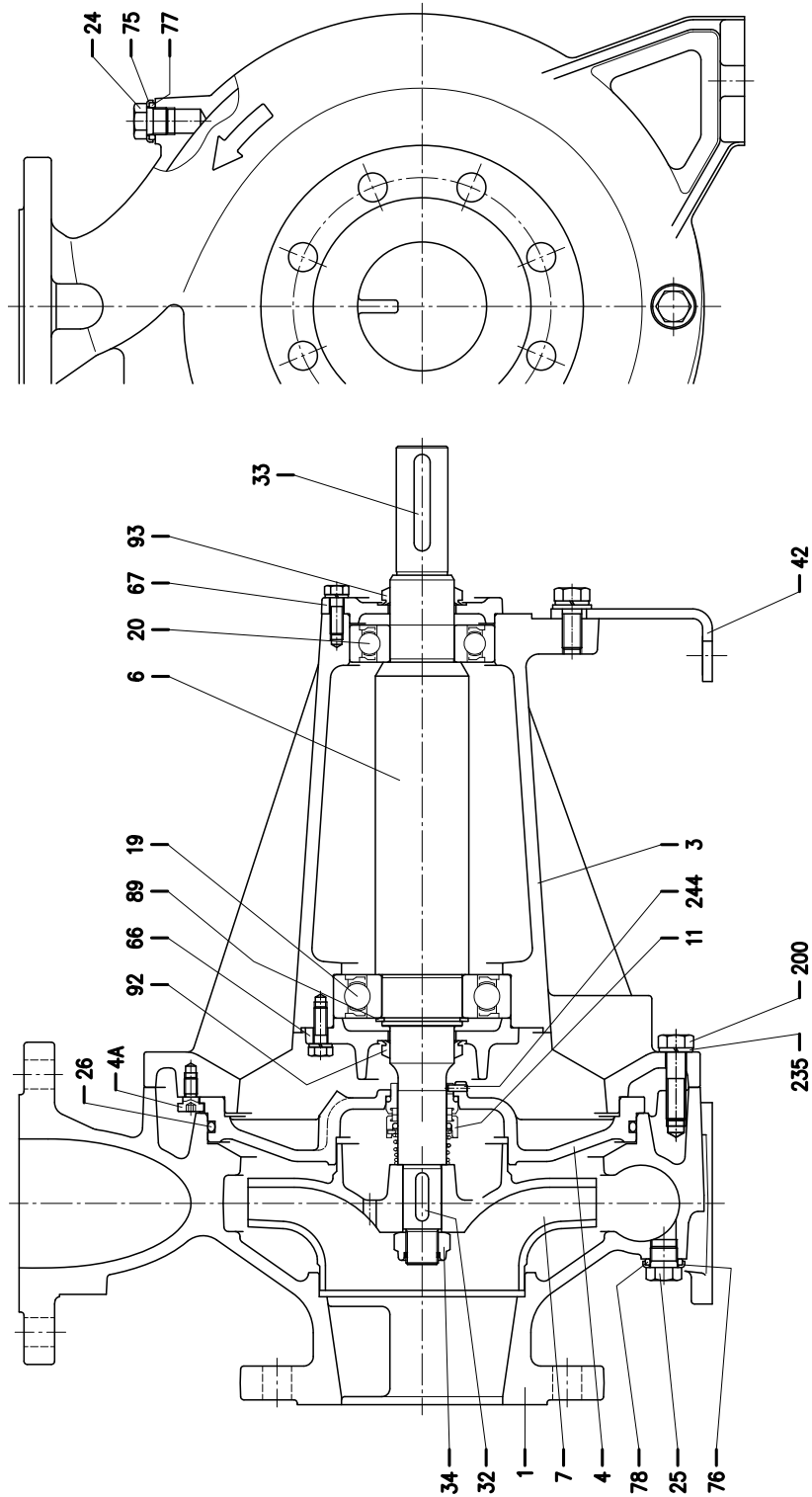
Counterflange kit on request see p. 328-329

- [1] For version: 32-200/3, 32-200/4, 32-200/5.5, 40-200/5.5, 40-200/5.5, 40-200/7.5, 40-200/11, 50-160/5.5, 50-160/7.5, 50-200/9.2, 50-200/11, 50-200/15
- [2] Quantity =10 for 32-160, 40-160, 50-125, 65-125
Quantity =12 for 32-200, 40-200, 50-160, 50-200, 65-160, 65-200
- [3] Only for 65-160/15 and 65-200
- [4] FPM for H-HS-HW-HSW version
EPDM for E version
- [5] Special version: see page 321 and following

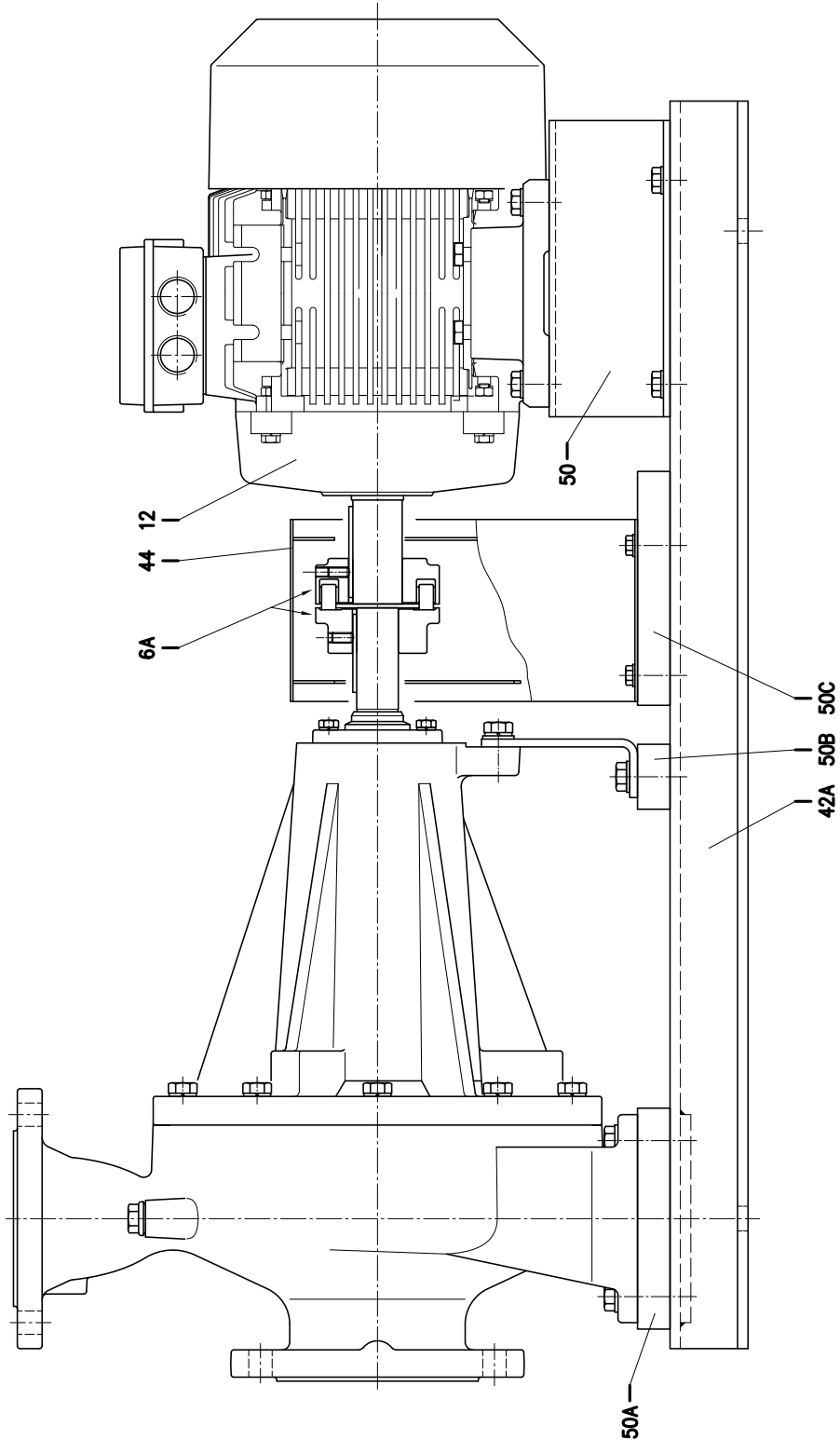
SECTIONAL VIEW DRAWING 3LP 80-160



SECTIONAL VIEW DRAWING 3LP 65-250, 80-200/250



SECTIONAL VIEW DRAWING 3LP 65-250, 80-200/250



SECTIONAL VIEW TABLE 3LP 80-160

N°	PART NAME	MATERIAL	DIMENSIONS	STANDARD	N. FOR 1 UNIT
001	Casing	EN 1.4401 (AISI316)			1
003	Support	Cast iron EN-GJL-200-EN 1561			1
004	Casing cover	EN 1.4404 (AISI316L)			1
006	Shaft	EN 1.4404 (AISI316L) - Wet extension			1
006A	Flexible coupling	Cast iron EN-GJL-250-EN 1561	See table p. 327		1
007	Impeller	EN 1.4401 (AISI316)			1
011	Mechanical seal [3]	SiC/SiC/FPM	See p. 321-326		1
012	Motor	-			1
019	Bearing	-	See table p. 320		1
020	Bearing	-	See table p. 320		1
024	Plug	EN 1.4404 (AISI316L)	G3/8	EPE DRAWING	1
025	Plug	EN 1.4404 (AISI316L)	G3/8	EPE DRAWING	1
026	"O" ring	FPM [2]	227.96x5.34	OR 6895	1
032	Key	EN 1.4401 (AISI 316)	8x7x30	UNI 6604	1
033	Key	C 40	8x7x40		1
034	Impeller nut	EN 1.4404 (AISI 316L)	M20x1.5	UNI 7474	1
042	Pump support	Zincate steel		EPE DRAWING	1
042A	Base	Zincate steel		EPE DRAWING	1
044	Protection	Zincate steel		EPE DRAWING	1
050	Foot	Aluminium		EPE DRAWING	2
050A	Spacer for pump	/			/
050B	Spacer for pump	/			/
050C	spacer for protection	/			/
066	Impeller side bearing cover	Cast iron EN-GJL-200-EN 1561			1
067	Motor side bearing cover	Cast iron EN-GJL-200-EN 1561			1
075	Washer (plug)	EN 1.4404 (AISI 316L)			1
076	Washer (plug)				1
077	O-ring (plug)	FPM [2]			1
078	O-ring (plug)				1
089	Snap ring	Carbon tool steels TC 80	Ø 40	UNI 7435	1
092	"V" ring	-	VS-0030		1
093	"V" ring				1
200	Screw	Stainless steel A2 70 class ISO 3506/1	M 10x35	UNI 5739	10
200A	Screw		M 10x30		2
235	Washer	EN 1.4301(AISI 304)	10.5	UNI 8842	12
244	Pin [1]	EN 1.4301(AISI 304)	4x15	UNI 6873	1

Counterflange kit on request, see table p. 328-329

[1] Not for H and E option.

[2] EPDM for E version

[3] Special version: see page 321 and following

For drawing see p.314

SECTIONAL VIEW TABLE 3LP 65-250, 80-200/250

N°	PART NAME	MATERIAL	DIMENSIONS	STANDARD	N. FOR 1 UNIT
001	Casing	EN 1.4401 (AISI316)			1
003	Support	Cast iron EN-GJL-200-EN 1561			1
004	Casing cover	EN 1.4401 (AISI316)			1
004A	Screw for casing cover	EN 1.4301 (AISI 304)			2
006	Shaft	EN 1.4462 (Duplex stainless steel) - Wet extension			1
006A	Flexible coupling	Cast iron EN-GJL-250-EN 1561	See table p. 327		1
007	Impeller	EN 1.4401 (AISI316)			1
011	Mechanical seal [5]	SiC/SiC/FPM	See p. 321-326		1
012	Motor	-			1
019	Bearing	-	See table p. 320		1
020	Bearing	-	See table p. 320		1
024	Plug	EN 1.4404 (AISI316L)	G3/8		1
025	Plug	EN 1.4404 (AISI316L)	G3/8		1
026	"O" ring	FPM [4]	253.36x5.34	OR 6995	1
032	Key	EN 1.4401 (AISI 316)	65-250 d=24 mm	UNI 6604	1
			80-200 d=24 mm		1
			80-250 d=29 mm		1
033	Key	C 40	10x8x60	UNI 6604	1
034	impeller nut	EN 1.4404 (AISI 316L)	65-250 d=24 mm	UNI 7474	1
			80-200 d=24 mm		1
			80-250 d=29 mm		1
042	Pump support	Zincate steel			1
042A	Base	Zincate steel			1
044	Protection	Zincate steel			1
050	Foot (only for 65-250/22kV)	Aluminium			2
050A	Spacer	Aluminium			[1]
050B	Spacer	Aluminium			[2]
050C	Spacer for protection	Aluminium			[3]
066	Impeller side bearing cover	Cast iron EN-GJL-200-EN 1561			1
067	Motor side bearing cover	Cast iron EN-GJL-200-EN 1561			1
075	Washer (plug)	EN 1.4404 (AISI 316L)			1
076	Washer (plug)				1
077	O-ring (plug)				1
078	O-ring (plug)	FPM [4]			1
089	Snap ring	Carbon tool steels TC 80	Ø 50	UNI 7435	1
092	"V" ring	-	VS-0040		1
093	"V" ring				
200	Screw	Stainless steel A2 70 class ISO 3506/1	M 12x45	UNI 5739	10
235	Washer	EN 1.4301 (AISI 304)	13	UNI 8842	10
244	Pin [3]	EN 1.4301 (AISI 304)	4x12	UNI 6873	1

Counterflange kit on request, see table p. 328-329

- [1] Quantity =0 for 65-250, 80-200/22 and 80-250/55
Quantity =2 for 80-200/30, 80-200/37 and 80-250/45
- [2] Quantity =0 for 65-250, 80-200/22 and 80-250/55
Quantity =2 for 80-200/30, 80-200/37 and 80-250/45
- [3] Not for H and E option.
- [4] EPDM for E version
- [5] Special version: see page 321 and following

For drawing see p.315-316

BEARINGS 3(.)M

Pump type		Ball bearing	
Single Phase 50 Hz	Three Phase 50 Hz	Pump side	Fan side
3(.)M 32-125/1.1 M	3(.)M 32-125/1.1	6205-SRSH	6205-SRSH
3(.)M 32-160/1.5 M	3(.)M 32-160/1.5		
3(.)M 32-160/2.2 M	3(.)M 32-160/2.2		
-	3(.)M 32-200/3	6206-2RS1	6206-2RS1
	3(.)M 32-200/4	6306-2RS1	
	3(.)M 32-200/5.5		
	3(.)M 32-200/7.5		
3(.)M 40-125/1.5 M	3(.)M 40-125/1.5	6205-SRSH	6205-SRSH
3(.)M 40-125/2.2 M	3(.)M 40-125/2.2		
-	3(.)M 40-160/3	6206-2RS1	6206-2RS1
	3(.)M 40-160/4	6306-2RS1	
	3(.)M 40-200/5.5		
	3(.)M 40-200/7.5		
-	3(.)M 40-200/11	6308-2RS1	6208-2RS1
	3(.)M 50-125/2.2 M	6205-SRSH	6205-SRSH
	3(.)M 50-125/3	6206-2RS1	
	3(.)M 50-125/4		
	3(.)M 50-160/5.5		6306-2RS1
	3(.)M 50-160/7.5		
	3(.)M 50-200/9.2	6308-2RS1	6208-2RS1
	3(.)M 50-200/11		
	3(.)M 50-200/15	6309-2RS1	6309-2RS1
	3(.)M 65-125/4	6206-2RS1	6205-SRSH
	3(.)M 65-125/5.5	6306-2RS1	6206-2RS1
	3(.)M 65-125/7.5		
	3(.)M 65-160/7.5		
	3(.)M 65-160/9.2	6308-2RS1	6208-2RS1
	3(.)M 65-160/11		
	3(.)M 65-160/15	6309-2RS1	6309-2RS1
	3(.)M 65-200/15		
	3(.)M 65-200/18.5		
	3(.)M 65-200/22		
3LM 80-160/11	6308-2RS1	6208-2RS1	
3LM 80-160/13			
3LM 80-160/15			
3LM 80-160/18.5	6309-2RS1	6309-2RS1	

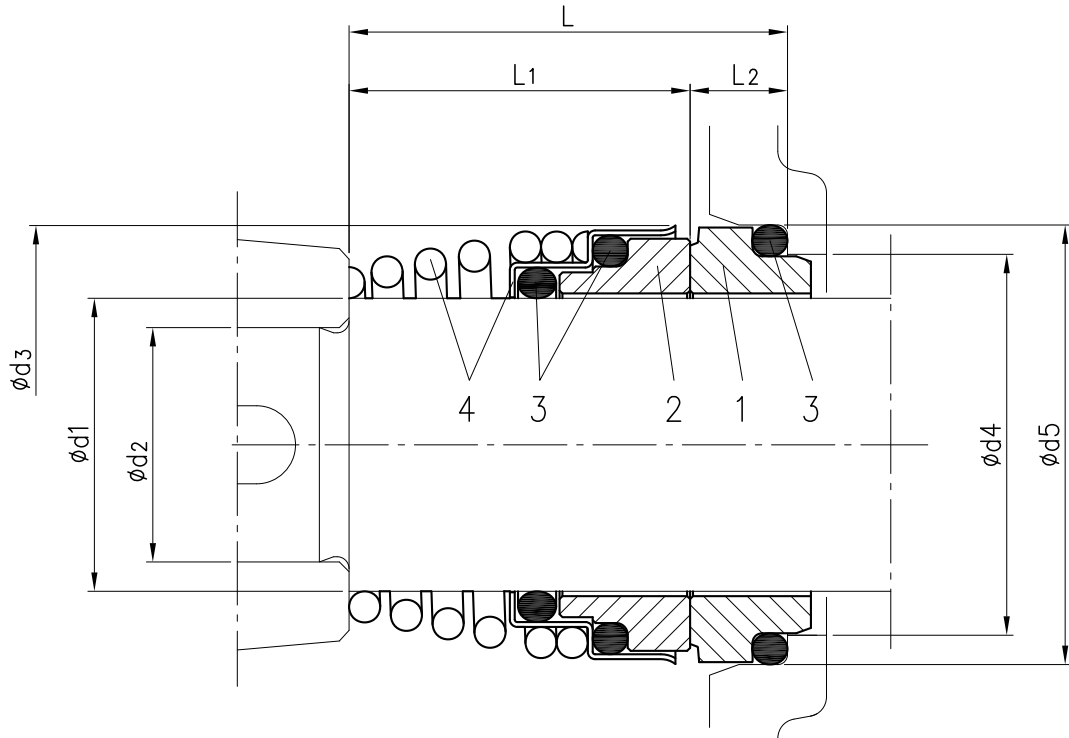
BEARINGS 3(.)S-3(.)P

Pump type	Ball bearing	
	Pump side	Fan side
3(.)S 32-125/1.1	6204-2Z	6204-2Z
3(.)S 32-160/1.5	6205-2Z	6205-2Z
3(.)S 32-160/2.2		
3(.)S 32-200/3	6206-2Z	6206-2Z
3(.)S 32-200/4	6306-2Z	6306-2Z
3(.)S 32-200/5.5	6208-2Z	6208-2Z
3(.)S 32-200/7.5		
3(.)S 40-125/1.5	6205-2Z	6205-2Z
3(.)S 40-125/2.2		
3(.)S 40-160/3	6206-2Z	6206-2Z
3(.)S 40-160/4	6306-2Z	6306-2Z
3(.)S 40-200/5.5	6208-2Z	6208-2Z
3(.)S 40-200/7.5		
3(.)S 40-200/11	6209-2Z	6209-2Z
3(.)S 50-125/2.2	6205-2Z	6205-2Z
3(.)S 50-125/3	6206-2Z	6206-2Z
3(.)S 50-125/4	6306-2Z	6306-2Z
3(.)S 50-160/5.5	6208-2Z	6208-2Z
3(.)S 50-160/7.5		
3(.)S 50-200/9.2	6209-2Z	6209-2Z
3(.)S 50-200/11		
3(.)S 50-200/15		
3(.)S 65-125/4	6306-2Z	6306-2Z
3(.)S 65-125/5.5	6208-2Z	6208-2Z
3(.)S 65-125/7.5		
3(.)S 65-160/7.5	6209-2Z	6209-2Z
3(.)S 65-160/9.2		
3(.)S 65-160/11		
3(.)S 65-160/15	6209-2Z	6209-2Z
3(.)S 65-200/15		
3(.)S 65-200/18.5	6310-2Z	6310-2Z
3(.)S 65-200/22		
3LS 65-250/30	6312-2Z	6312-2Z
3LS 65-250/37		
3LS 80-160/11	6209-2Z C3	6209-2Z C3
3LS 80-160/15R		
3LS 80-160/15		
3LS 80-160/18.5		
3LS 80-200/22	6310-2Z C3	6310-2Z C3
3LS 80-200/30	6312-2Z	6312-2Z
3LS 80-200/37		
3LS 80-250/37		
3LS 80-250/45	6313 2Z	6313 2Z
3LS 80-250/55	6314	6314

Pump type	Ball bearing			
	Pump		Motor	
	Pump side	Motor side	Pump side	Fan side
3(.)P 32-125/1.1	6306-2RS1	6206-2RS1	6204-2Z	6204-2Z
3(.)P 32-160/1.5			6205-2Z	6205-2Z
3(.)P 32-160/2.2			6206-2Z	6206-2Z
3(.)P 32-200/3	6308-2RS1	6306-2RS1	6306-2Z	6306-2Z
3(.)P 32-200/4			6208-2Z	6208-2Z
3(.)P 32-200/5.5			6205-2Z	6205-2Z
3(.)P 32-200/7.5	6306-2RS1	6206-2RS1	6206-2Z	6206-2Z
3(.)P 40-125/1.5			6306-2Z	6306-2Z
3(.)P 40-125/2.2			6208-2Z	6208-2Z
3(.)P 40-160/3			6209-2Z	6209-2Z
3(.)P 40-160/4	6308-2RS1	6306-2RS1	6205-2Z	6205-2Z
3(.)P 40-200/5.5			6206-2Z	6206-2Z
3(.)P 40-200/7.5	6306-2RS1	6206-2RS1	6306-2Z	6306-2Z
3(.)P 40-200/11			6208-2Z	6208-2Z
3(.)P 40-200/15			6209-2Z	6209-2Z
3(.)P 50-125/2.2	6306-2RS1	6206-2RS1	6205-2Z	6205-2Z
3(.)P 50-125/3			6206-2Z	6206-2Z
3(.)P 50-125/4			6306-2Z	6306-2Z
3(.)P 50-160/5.5	6308-2RS1	6306-2RS1	6208-2Z	6208-2Z
3(.)P 50-160/7.5			6209-2Z	6209-2Z
3(.)P 50-200/9.2			6209-2Z	6209-2Z
3(.)P 50-200/11	6306-2RS1	6206-2RS1	6306-2Z	6306-2Z
3(.)P 50-200/15			6208-2Z	6208-2Z
3(.)P 65-125/4	6308-2RS1	6306-2RS1	6306-2Z	6306-2Z
3(.)P 65-125/5.5			6209-2Z	6209-2Z
3(.)P 65-125/7.5			6310-2Z	6310-2Z
3(.)P 65-160/7.5	6306-2RS1	6206-2RS1	6208-2Z	6208-2Z
3(.)P 65-160/9.2			6209-2Z	6209-2Z
3(.)P 65-160/11			6312-2Z	6312-2Z
3(.)P 65-160/15	6310-2RS1	6308-2RS1	6209-2Z	6209-2Z
3(.)P 65-200/15			6310-2Z	6310-2Z
3(.)P 65-200/18.5	6310-2RS1	6308-2RS1	6310-2Z	6310-2Z
3(.)P 65-200/22			6312-2Z	6312-2Z
3LP 65-250/30	6308-2RS1 C3	6306-2RS1 C3	6312-2Z	6312-2Z
3LP 65-250/37			6209-2Z	6209-2Z
3LP 80-160/11	6310-2RS1 C3	6308-2RS1 C3	6310-2Z	6310-2Z
3LP 80-160/15R			6312-2Z	6312-2Z
3LP 80-160/15			6313-2Z	6313-2Z
3LP 80-160/18.5			6314	6314
3LP 80-200/22	6310-2RS1 C3	6308-2RS1 C3	6310-2Z	6310-2Z
3LP 80-200/30			6312-2Z	6312-2Z
3LP 80-200/37	6313 2Z	6313 2Z	6313-2Z	6313-2Z
3LP 80-250/37			6314	6314
3LP 80-250/45			6314	6314
3LP 80-250/55	6314	6314	6314	6314

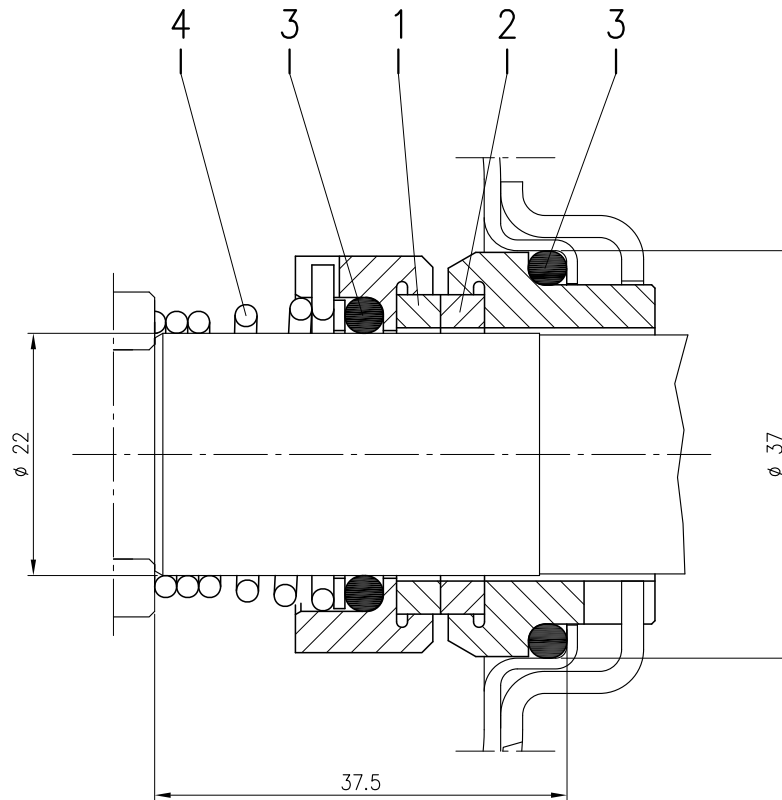
1) Motor available with lubricator for regular re-greasing of bearing.

MECHANICAL SEAL STANDARD AND H VERSION



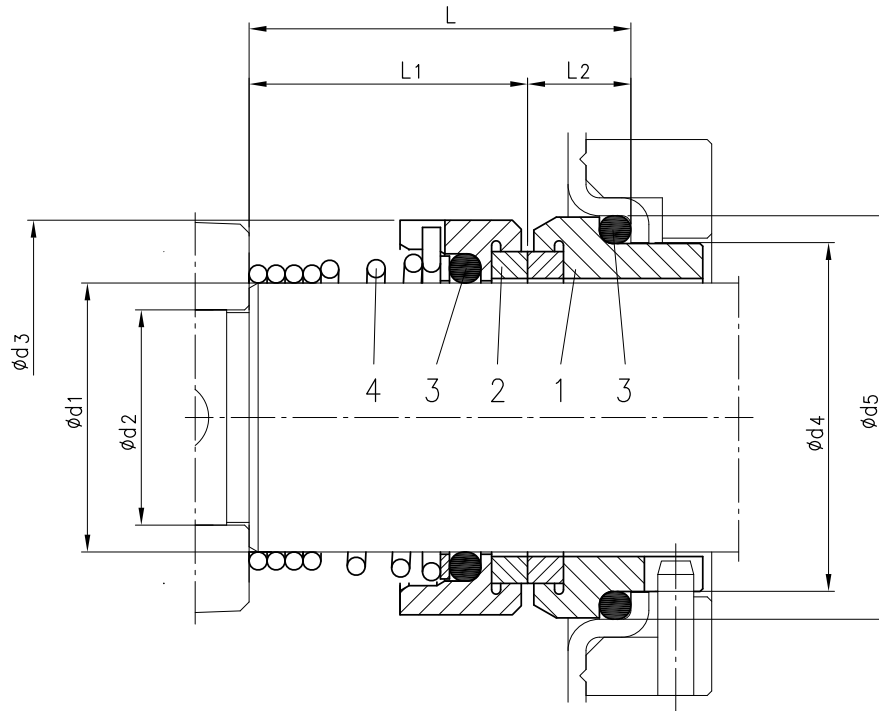
Version	Pump type	Dimensions								Material			
		d1	d2	d3	d4	d5	L	L1	L2	1 Stationary seal ring	2 Rotary seal ring	3 rubber	4 Frame + spring
Standard	32-125/160/200 40-125/160/200 50-125/160/200 65-125 65-160/7.5 65-160/9.2 65-160/11	22	19	38	31	37	37.5	27.5	10	Carbon	Ceramic	NBR	EN 1.4401 (AISI 316)
	65-160/15 65-200	30	24	46	39	45	42.5	32.5	10				
H	32-125/160/200 40-125/160/200 50-125/160/200 65-125 65-160/7.5 65-160/9.2 65-160/11	22	19	38	31	37	37.5	27.5	10	Carbon	Ceramic	FPM	EN 1.4401 (AISI 316)
	65-160/15 65-200 65-250 80-160/200	30	24	46	39	45	42.5	32.5	10				
	80-250	35	29	50	44	50	42.5	32.5	10				

MECHANICAL SEAL L VERSION Ø22



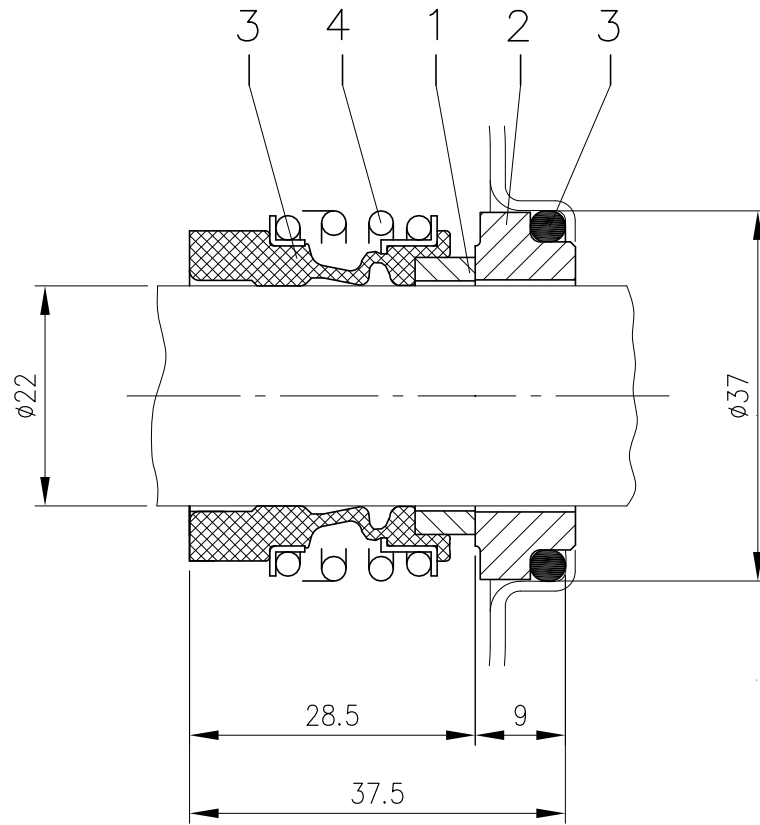
Pump type	Material			
	1 Stationary seal ring	2 Rotary seal ring	3 Rubber	4 Frame + spring
32-125/160/200 40-125/160/200 50-125/160/200 65-125 65-160/7.5 65-160/9.2 65-160/11	SiC	SiC	FPM	EN 1.4571 (AISI 316Ti)

MECHANICAL SEAL L VERSION Ø30-35



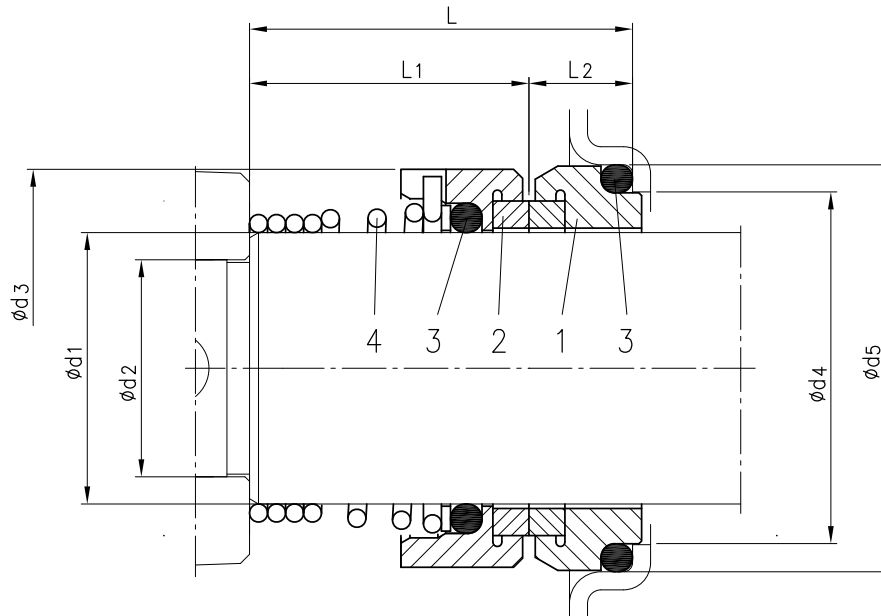
Pump type	Dimensions								Material			
	d1	d2	d3	d4	d5	L	L1	L2	1 Stationary seal ring	2 Rotary seal ring	3 rubber	4 Frame + spring
65-160/15 65-200 65-250 80-160/200	30	24	44	39	45	42.5	31	11.5	SiC	SiC	FPM	EN 1.4571 (AISI 316Ti)
80-250	35	29	49	44	50	42.5	31	11.5				

MECHANICAL SEAL HS VERSION Ø22



Pump type	Material			
	1 Stationary seal ring	2 Rotary seal ring	3 Rubber	4 Frame + spring
32-125/160/200 40-125/160/200 50-125/160/200 65-125 65-160/7.5 65-160/9.2 65-160/11	SiC	SiC	FPM	EN 1.4571 (AISI 316Ti)

MECHANICAL SEAL HS AND E VERSION

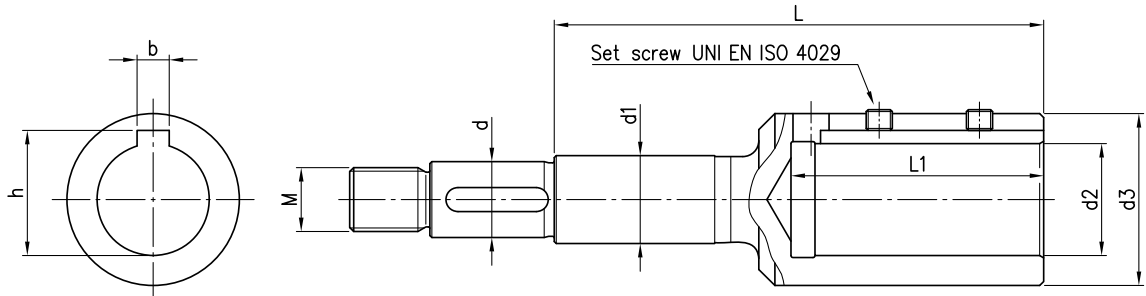


Version	Pump type	Dimensions								Material			
		d1	d2	d3	d4	d5	L	L1	L2	1 Stationary seal ring	2 Rotary seal ring	3 Rubber	4 Frame + spring
HS	65-160/15	30	24	44	39	45	42.5	31	11.5	SiC	SiC	FPM	EN 1.4571 (AISI 316Ti)
	65-200												
E	65-250	30	24	44	39	45	42.5	31	11.5	Carbon	SiC	EPDM	EN 1.4571 (AISI 316Ti)
	80-160/200												
	80-250												

MECHANICAL SEAL HW AND HSW VERSION

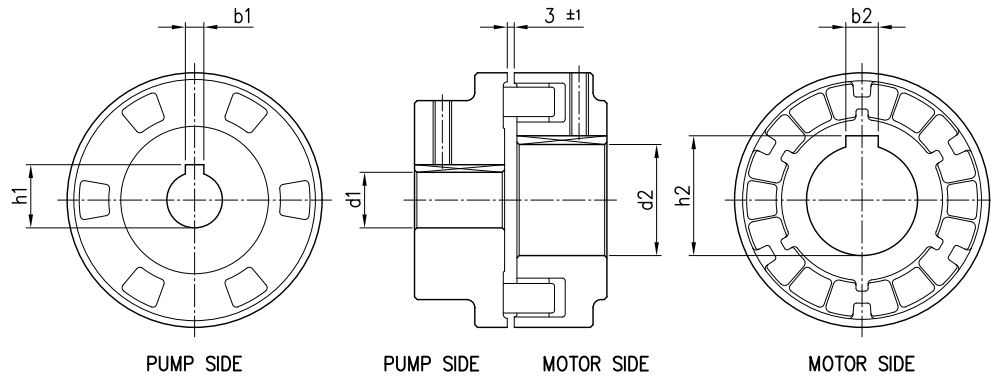
Version	Pump type	Dimensions								Material			
		d1	d2	d3	d4	d5	L	L1	L2	1 Stationary seal ring	2 Rotary seal ring	3 Rubber	4 Frame + spring
HW	32-125/160/200	22	19	38	31	37	37.5	27.5	10	Tungsten carbide	Tungsten carbide	FPM	EN 1.4401 (AISI 316)
	40-125/160/200												
	50-125/160/200												
	65-125												
	65-160/7.5												
HSW	65-160/9.2	30	24	46	39	45	42.5	32.5	10	Tungsten carbide	SiC	FPM	EN 1.4401 (AISI 316)
	65-160/11												
	65-160/15												
	65-200												
	65-250												
HSW	80-160/200	35	29	50	44	50	42.5	32.5	10	Tungsten carbide	SiC	FPM	EN 1.4401 (AISI 316)
	80-250												
	80-250												

COUPLING



Pump type	Power		Motor Size	Dimensions mm										Set screw
	[kW]	[HP]		d	d1	d2	d3	M	L	L1	b	h		
32-125/1.1	1.1	1.5	80	19	22	19	33	M16x1.5	98	43	6	21.8	M6x6	
32-160/1.5	1.5	2	90	19	22	24	39	M16x1.5	110	53	8	27.3	M8x8	
32-160/2.2	2.2	3	90	19	22	24	39	M16x1.5	110	53	8	27.3	M8x8	
32-200/3.0	3	4	100	19	22	28	43	M16x1.5	122	63	8	31.3	M8x8	
32-200/4.0	4	5.5	112	19	22	28	43	M16x1.5	122	63	8	31.3	M8x8	
32-200/5.5	5.5	7.5	132	19	22	38	58	M16x1.5	145	84	10	41.3	M8x8	
32-200/7.5	7.5	10	132	19	22	38	58	M16x1.5	145	84	10	41.3	M8x8	
40-125/1.5	1.5	2	90	19	22	24	39	M16x1.5	110	53	8	27.3	M8x8	
40-125/2.2	2.2	3	90	19	22	24	39	M16x1.5	110	53	8	27.3	M8x8	
40-160/3.0	3	4	100	19	22	28	43	M16x1.5	122	63	8	31.3	M8x8	
40-160/4.0	4	5.5	112	19	22	28	43	M16x1.5	122	63	8	31.3	M8x8	
40-200/5.5	5.5	7.5	132	19	22	38	58	M16x1.5	145	84	10	41.3	M8x8	
40-200/7.5	7.5	10	132	19	22	38	58	M16x1.5	145	84	10	41.3	M8x8	
40-200/11	11	15	160	19	22	42	63	M16x1.5	178	114	12	45.3	M8x8	
50-125/2.2	2.2	3	90	19	22	24	39	M16x1.5	110	53	8	27.3	M8x8	
50-125/3.0	3	4	100	19	22	28	43	M16x1.5	122	63	8	31.3	M8x8	
50-125/4.0	4	5.5	112	19	22	28	43	M16x1.5	122	63	8	31.3	M8x8	
50-160/5.5	5.5	7.5	132	19	22	38	58	M16x1.5	145	84	10	41.3	M8x8	
50-160/7.5	7.5	10	132	19	22	38	58	M16x1.5	145	84	10	41.3	M8x8	
50-200/9.2	9.2	12.5	132	19	22	38	58	M16x1.5	145	84	10	41.3	M8x8	
50-200/11	11	15	160	19	22	42	63	M16x1.5	178	114	12	45.3	M8x8	
50-200/15	15	20	160	22	22	42	63	M18x1.5	209	114	12	45.3	M8x8	
65-125/4.0	4	5.5	112	19	22	28	43	M16x1.5	122	63	8	31.3	M8x8	
65-125/5.5	5.5	7.5	132	19	22	38	58	M16x1.5	145	84	10	41.3	M8x8	
65-125/7.5	7.5	10	132	19	22	38	58	M16x1.5	145	84	10	41.3	M8x8	
65-160/7.5	7.5	10	132	19	22	38	58	M16x1.5	145	84	10	41.3	M8x8	
65-160/9.2	9.2	12.5	132	19	22	38	58	M16x1.5	145	84	10	41.3	M8x8	
65-160/11	11	15	160	19	22	42	63	M16x1.5	178	114	12	45.3	M8x8	
65-160/15	15	20	160	24	30	42	63	M20x1.5	184	114	12	45.3	M8x8	
65-200/15	15	20	160	24	30	42	63	M20x1.5	184	114	12	45.3	M8x8	
65-200/18.5	18.5	25	160	24	30	42	63	M20x1.5	184	114	12	45.3	M8x8	
65-200/22	22	30	180	24	30	48	72	M20x1.5	184	114	14	51.8	M10x10	
65-250/30	30	40	200	24	30	55	85	M20x1.5	184	114	16	59.3	M12x12	
65-250/37	37	50	200	24	30	55	85	M20x1.5	184	114	16	59.3	M12x12	
80-160/11	11	15	160	24	30	42	63	M20x1.5	184	114	12	45.3	M8x8	
80-160/15R	15	20	160	24	30	42	63	M20x1.5	184	114	12	45.3	M8x8	
80-160/15	15	20	160	24	30	42	63	M20x1.5	184	114	12	45.3	M8x8	
80-160/18.5	18.5	25	160	24	30	42	63	M20x1.5	184	114	12	45.3	M8x8	
80-200/22	22	30	180	24	30	48	72	M20x1.5	184	114	14	51.8	M10x10	
80-200/30	30	40	200	24	30	55	85	M20x1.5	184	114	16	59.3	M12x12	
80-200/37	37	50	200	24	30	55	85	M20x1.5	184	114	16	59.3	M12x12	
80-250/37	37	50	200	29	35	55	85	M24x2	206	114	16	59.3	M12x12	
80-250/45	45	60	225	29	35	55	85	M24x2	206	114	16	59.3	M12x12	
80-250/55	55	75	250	29	35	60	89	M24x2	218	144	18	64.4	M12x12	

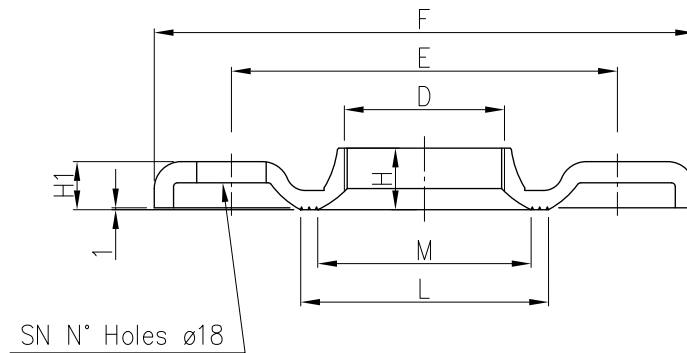
FLEXIBLE COUPLING



Pump type	Power		Motor Size	Dimensions mm					
	[KW]	[HP]		d1	b1	h1	d2	b2	h2
32-125/1.1	1.1	1.5	80	24	8	27.3	19	6	21.8
32-160/1.5	1.5	2	90	24	8	27.3	24	8	27.3
32-160/2.2	2.2	3	90	24	8	27.3	24	8	27.3
32-200/3.0	3	4	100	24	8	27.3	28	8	31.3
32-200/4.0	4	5.5	112	24	8	27.3	28	8	31.3
32-200/5.5	5.5	7.5	132	24	8	27.3	38	10	41.3
32-200/7.5	7.5	10	132	24	8	27.3	38	10	41.3
40-125/1.5	1.5	2	90	24	8	27.3	24	8	27.3
40-125/2.2	2.2	3	90	24	8	27.3	24	8	27.3
40-160/3.0	3	4	100	24	8	27.3	28	8	31.3
40-160/4.0	4	5.5	112	24	8	27.3	28	8	31.3
40-200/5.5	5.5	7.5	132	24	8	27.3	38	10	41.3
40-200/7.5	7.5	10	132	24	8	27.3	38	10	41.3
40-200/11	11	15	160	24	8	27.3	42	12	45.3
50-125/2.2	2.2	3	90	24	8	27.3	24	8	27.3
50-125/3.0	3	4	100	24	8	27.3	28	8	31.3
50-125/4.0	4	5.5	112	24	8	27.3	28	8	31.3
50-160/5.5	5.5	7.5	132	24	8	27.3	38	10	41.3
50-160/7.5	7.5	10	132	24	8	27.3	38	10	41.3
50-200/9.2	9.2	12.5	132	24	8	27.3	38	10	41.3
50-200/11	11	15	160	24	8	27.3	42	12	45.3
50-200/15	15	20	160	24	8	27.3	42	12	45.3
65-125/4.0	4	5.5	112	24	8	27.3	28	8	31.3
65-125/5.5	5.5	7.5	132	24	8	27.3	38	10	41.3
65-125/7.5	7.5	10	132	24	8	27.3	38	10	41.3
65-160/7.5	7.5	10	132	24	8	27.3	38	10	41.3
65-160/9.2	9.2	12.5	132	24	8	27.3	38	10	41.3
65-160/11	11	15	160	24	8	27.3	42	12	45.3
65-160/15	15	20	160	24	8	27.3	42	12	45.3
65-200/15	15	20	160	24	8	27.3	42	12	45.3
65-200/18.5	18.5	25	160	24	8	27.3	42	12	45.3
65-200/22	22	30	180	24	8	27.3	48	14	51.8
65-250/30	30	40	200	32	10	35.3	55	16	59.3
65-250/37	37	50	200	32	10	35.3	55	16	59.3
80-160/11	11	15	160	24	8	27.3	42	12	45.3
80-160/15R	15	20	160	24	8	27.3	42	12	45.3
80-160/15	15	20	160	24	8	27.3	42	12	45.3
80-160/18.5	18.5	25	160	24	8	27.3	42	12	45.3
80-200/22	22	30	180	32	10	35.3	48	14	51.8
80-200/30	30	40	200	32	10	35.3	55	16	59.3
80-200/37	37	50	200	32	10	35.3	55	16	59.3
80-250/37	37	50	200	32	10	35.3	55	16	59.3
80-250/45	45	60	225	32	10	35.3	55	16	59.3
80-250/55	55	75	250	32	10	35.3	60	18	64.4

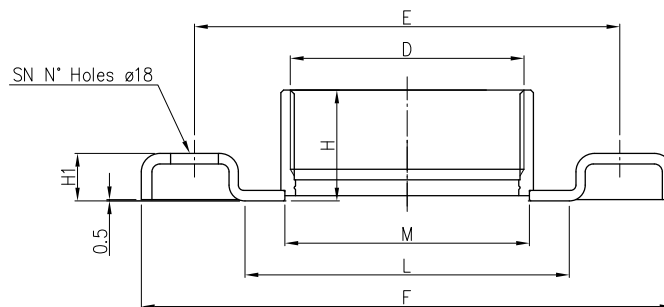
FITTINGS

COUNTERFLANGE ZINCKED STEEL



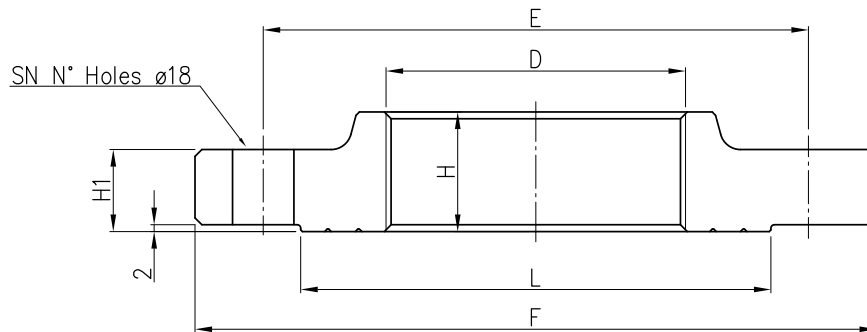
DN	D	Counterflange							Screw	
		E	F	H	H1	L	M	SN	DIMENSIONS	MATERIAL
32	G 1 1/4	100	100	15	11.5	67	50	4	M16x55	Zn. Steel 8.8 strenght class ISO 898-1
40	G 1 1/2	110	110	17.5	11.5	72	58	4		
50	G2	125	125	19	15	89	70	4		
65	G 2 1/2	145	185	23	14	104	88	4		
80	G3	160	200	24	16	117.5	100	8	M16x60	
100	G4	180	220	29	16	144	125	8		

COUNTERFLANGE EN 1.4404 (AISI 316L)



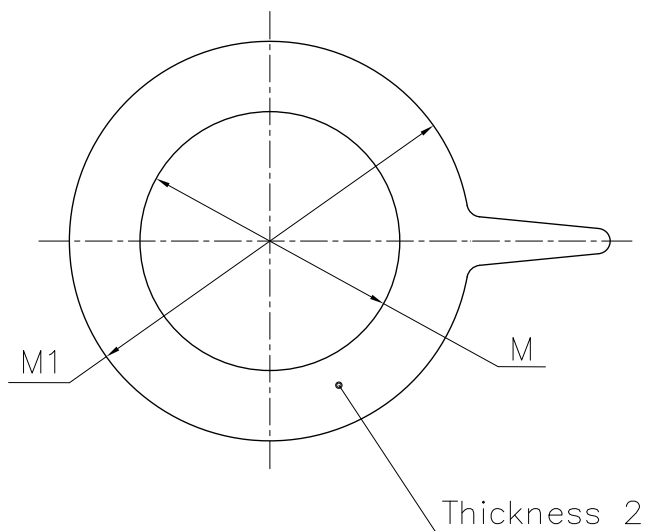
DN	D	Counterflange							Screw	
		E	F	H	H1	L	M	SN	DIMENSIONS	MATERIAL
32	G 1 1/4	100	140	29.5	14	66	44	4	M16x55	A2-70 class ISO 3506-1
40	G 1 1/2	110	150	29.5	14	71	50.5			
50	G 2	125	165	34	16	83	63			
65	G 2 1/2	145	185	40	16	103	80			
80	G3	160	200	42	18	122	92	8	M16x60	

COUNTERFLANGE EN 1.4404 (AISI 316L) DN100



DN	D	Counterflange				L	SN	Screw	
		E	F	H	H1			DIMENSIONS	MATERIAL
100	G4	180	220	35	20	150	8	M16x70	A2-70 class ISO 3506-1

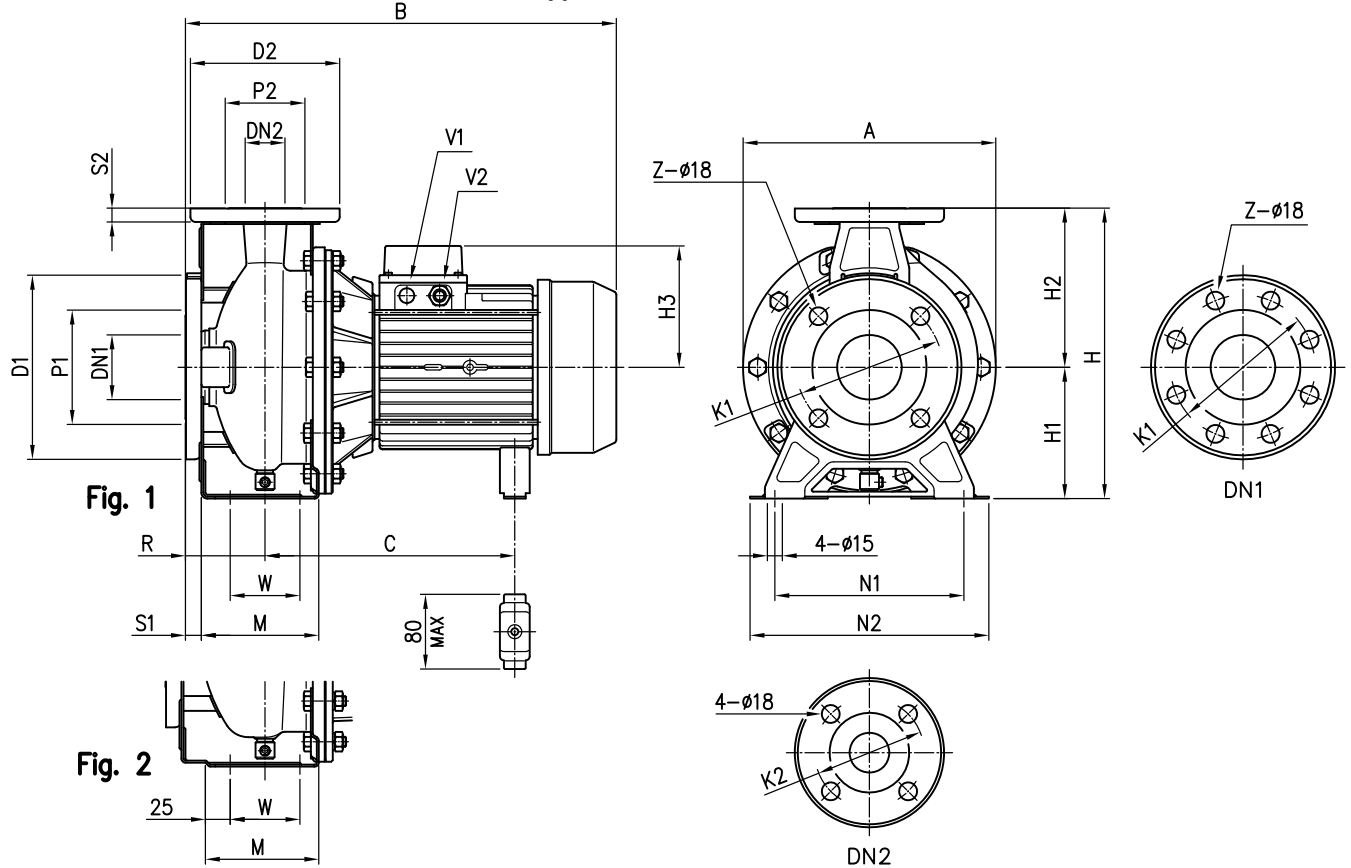
GASKET



DN	M	M1
32	38	82
40	50	93
50	60	107
65	80	125
80	90	140
100	115	160

Material : EPDM for standard version
FPM for L version

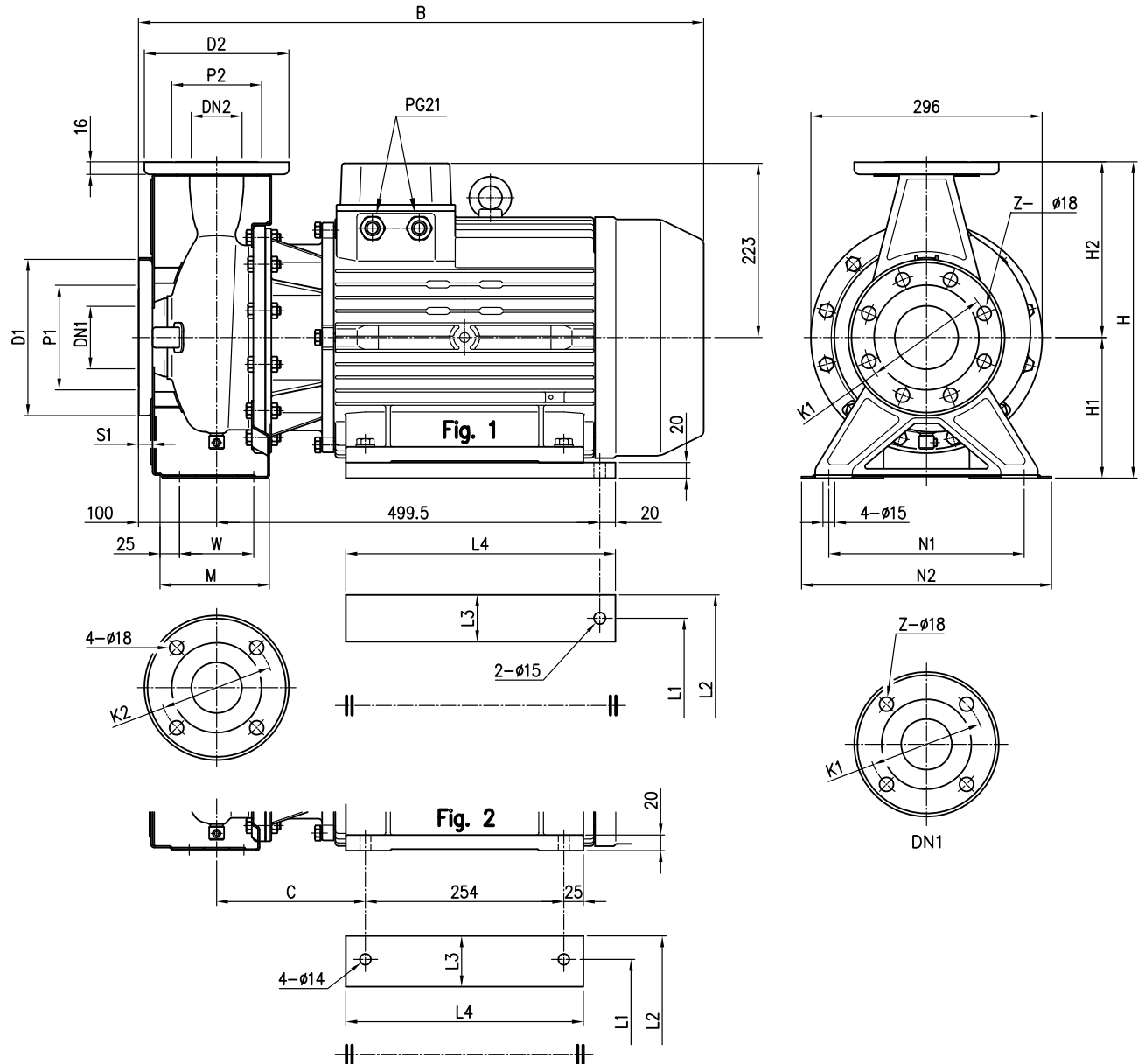
PUMP 3(.)M 32, 40, 50, 65-125/160



Model	Dimensions (mm)																				Weight [kgf]												
	ø DN1	ø P1	ø K1	ø D1	S1	[1]	[2]	ø DN2	ø P2	ø K2	ø D2	S2	Fig.	H	H1	H2	[3-]	[1-]	R	W	M	N1	N2	A	[1-]	[3-]	[1-]	[3-]	V1 [3-]	V2 [3-]	[1-]	[3-]	
32-125/1.1 (M)	50	95	125	165	16	4	-	32	75	100	140	14	1	252	112	140	124	141	80	70	114	140	190	213	408	407	219+230	219+230	-	PG 13.5	M20x1.5	19.6	24.1
32-160/1.5 (M)	50	95	125	165	16	4	-	32	75	100	140	14	1	292	132	160	124	141	80	70	118	190	240	254	408	407	219+230	219+230	-	PG 13.5	M20x1.5	22.5	27
32-160/2.2 (M)	50	95	125	165	16	4	-	32	75	100	140	14	1	292	132	160	124	141	80	70	118	190	240	254	408	432	219+230	244+255	-	PG 13.5	M20x1.5	27.7	28
32-200/3.0	50	95	125	165	16	4	-	32	75	100	140	14	1	340	160	180	124	-	80	70	119	190	240	296	-	471	-	244+255	-	PG 13.5	-	-	35.1
32-200/4.0	50	95	125	165	16	4	-	32	75	100	140	14	1	340	160	180	141	-	80	70	119	190	240	296	-	494	-	253	-	PG 16	-	-	38.2
32-200/5.5	50	95	125	165	16	4	-	32	75	100	140	14	1	340	160	180	150	-	80	70	119	190	240	296	-	519	-	275	PG 13.5	PG 16	-	-	52.2
32-200/7.5	50	95	125	165	16	4	-	32	75	100	140	14	1	340	160	180	150	-	80	70	119	190	240	296	-	519	-	275	PG 13.5	PG 16	-	-	57
40-125/1.5 (M)	65	115	145	185	16	4	-	40	80	110	150	14	1	252	112	140	124	141	80	70	114	160	210	213	408	407	219+230	219+230	-	PG 13.5	M20x1.5	20.1	24.6
40-125/2.2 (M)	65	115	145	185	16	4	-	40	80	110	150	14	1	252	112	140	124	141	80	70	114	160	210	213	408	432	219+230	244+255	-	PG 13.5	M20x1.5	25.8	26.1
40-160/3.0	65	115	145	185	16	4	-	40	80	110	150	14	1	292	132	160	124	-	80	70	118	190	240	254	-	471	-	244+255	-	PG 13.5	-	-	26.6
40-160/4.0	65	115	145	185	16	4	-	40	80	110	150	14	1	292	132	160	141	-	80	70	118	190	240	254	-	494	-	253	-	PG 16	-	-	40.8
40-200/5.5	65	115	145	185	16	4	-	40	80	110	150	14	2	340	160	180	150	-	100	70	115	212	265	296	-	539	-	275	PG 13.5	PG 16	-	-	52.5
40-200/7.5	65	115	145	185	16	4	-	40	80	110	150	14	2	340	160	180	150	-	100	70	115	212	265	296	-	539	-	275	PG 13.5	PG 16	-	-	56.2
40-200/11	65	115	145	185	16	4	-	40	80	110	150	14	2	340	160	180	178	-	100	70	115	212	265	296	-	595	-	359	PG 13.5	PG 21	-	-	67.2
50-125/2.2 (M)	65	115	145	185	16	4	-	50	95	125	165	16	2	292	132	160	124	141	100	70	114	190	240	254	428	452	219+230	244+255	-	PG 13.5	M20x1.5	29.4	32
50-125/3.0	65	115	145	185	16	4	-	50	95	125	165	16	2	292	132	160	124	-	100	70	114	190	240	254	-	491	-	244+255	-	PG 13.5	-	-	30.9
50-125/4.0	65	115	145	185	16	4	-	50	95	125	165	16	2	292	132	160	141	-	100	70	114	190	240	254	-	514	-	253	-	PG 16	-	-	40.9
50-160/5.5	65	115	145	185	16	4	-	50	95	125	165	16	2	340	160	180	150	-	100	70	115	212	265	296	-	539	-	275	PG 13.5	PG 16	-	-	46.5
50-160/7.5	65	115	145	185	16	4	-	50	95	125	165	16	2	340	160	180	150	-	100	70	115	212	265	296	-	539	-	275	PG 13.5	PG 16	-	-	55.5
50-200/9.2	65	115	145	185	16	4	-	50	95	125	165	16	2	360	160	200	178	-	100	70	115	212	265	296	-	595	-	359	PG 13.5	PG 21	-	-	63.9
50-200/11	65	115	145	185	16	4	-	50	95	125	165	16	2	360	160	200	178	-	100	70	115	212	265	296	-	595	-	359	PG 13.5	PG 21	-	-	67.2
65-125/4	80	134	160	200	18	8	4	65	115	145	185	16	2	340	160	180	141	-	100	95	140	212	280	254	-	514	-	253	-	PG 16	-	-	37.7
65-125/5.5	80	134	160	200	18	8	4	65	115	145	185	16	2	340	160	180	150	-	100	95	140	212	280	254	-	539	-	275	PG 13.5	PG 16	-	-	48.7
65-125/7.5	80	134	160	200	18	8	4	65	115	145	185	16	2	340	160	180	150	-	100	95	140	212	280	254	-	539	-	275	PG 13.5	PG 16	-	-	49
65-160/7.5	80	134	160	200	18	8	4	65	115	145	185	16	2	360	160	200	150	-	100	95	140	212	280	296	-	539	-	275	PG 13.5	PG 16	-	-	52.2
65-160/9.2	80	134	160	200	18	8	4	65	115	145	185	16	2	360	160	200	178	-	100	95	140	212	280	296	-	595	-	359	PG 13.5	PG 21	-	-	61
65-160/11	80	134	160	200	18	8	4	65	115	145	185	16	2	360	160	200	178	-	100	95	140	212	280	296	-	595	-	359	PG 13.5	PG 21	-	-	65

[1] Standard [2] On request [1-] Only for single phase [3-] Only for three phase

PUMP 3(.)M 50-200, 65-160/15, 65-200

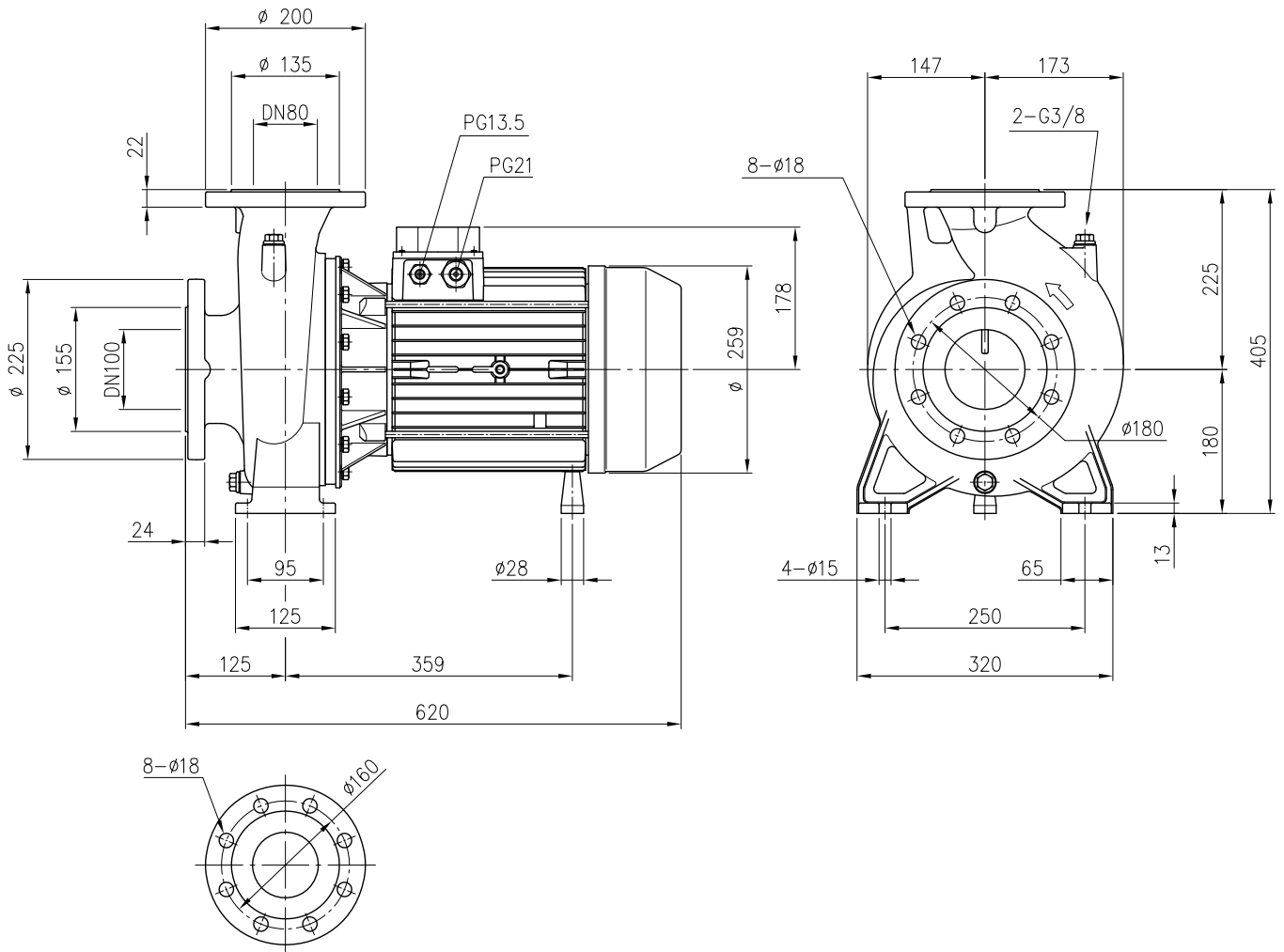


Model	Dimensions [mm]																							Weight [kgf]		
	∅ DN1	∅ P1	∅ K1	∅ D1	S1	Z [1]	Z [2]	∅ DN2	∅ P2	∅ K2	∅ D2	Fig.	H	H1	H2	W	M	N1	N2	B	C	L1	L2		L3	L4
50-200/15	65	115	145	185	16	4	-	50	95	125	165	2	360	160	200	70	115	212	265	723	190.5	254	318	65	304	102
65-160/15	80	134	160	200	18	8	4	65	115	145	185	2	360	160	200	95	140	212	280	732	199.5	254	318	65	304	104
65-200/15	80	134	160	200	18	8	4	65	115	145	185	1	405	180	225	95	140	250	320	732	-	254	314	60	345	107
65-200/18.5	80	134	160	200	18	8	4	65	115	145	185	1	405	180	225	95	140	250	320	732	-	254	314	60	345	119
65-200/22	80	134	160	200	18	8	4	65	115	145	185	1	405	180	225	95	140	250	320	732	-	254	314	60	345	130

[1] Standard

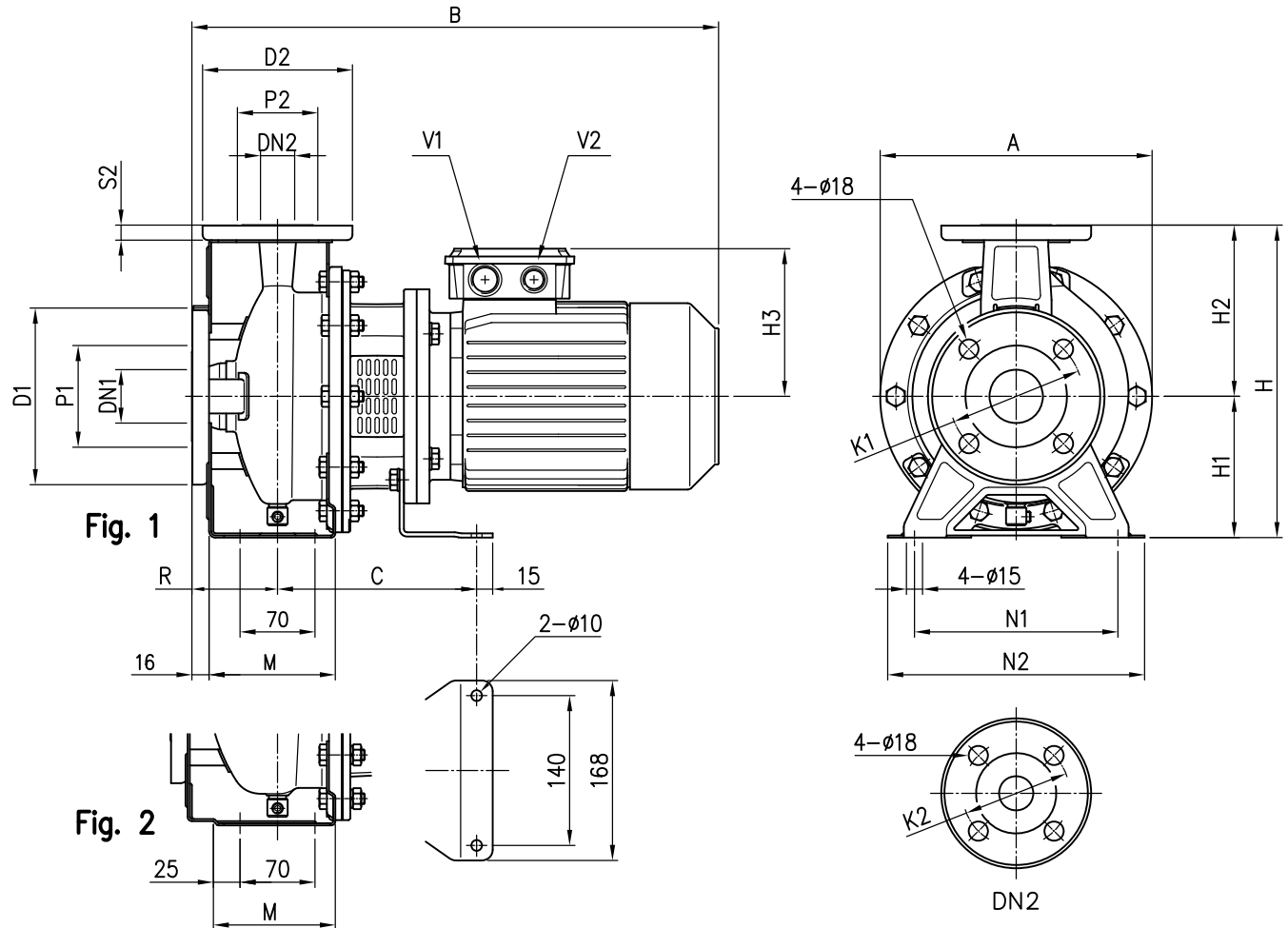
[2] On request

PUMP 3LM 80-160/11



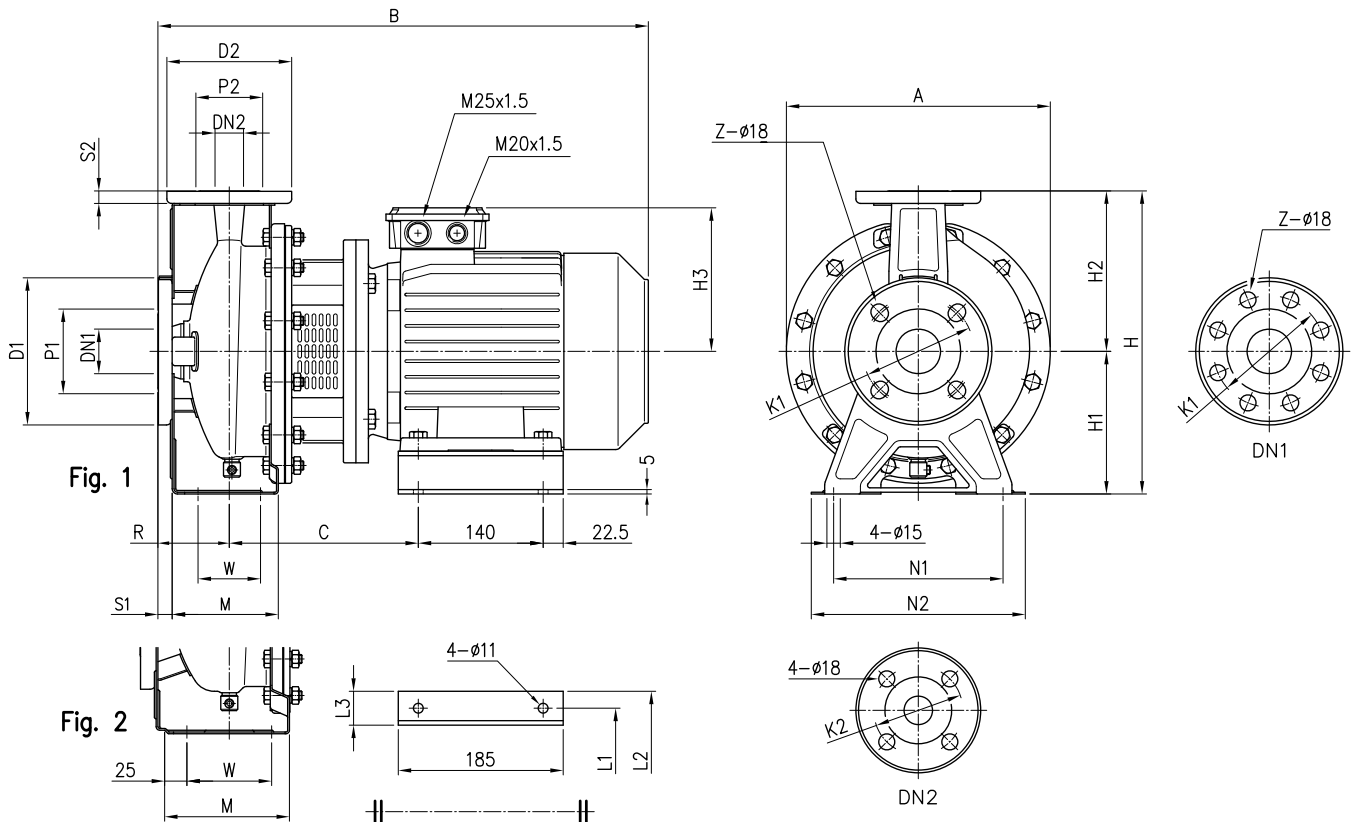
Pumps weight : 97.5 kgf

PUMP 3(.).S 32, 40, 50



Model	Dimensions [mm]																				Weight [kgf]			
	Ø DN1	Ø P1	Ø K1	Ø D1	Ø DN2	Ø P2	Ø K2	Ø D2	S2	Fig.	H	H1	H2	H3	R	M	N1	N2	A	B		C	V1	V2
32-125/1.1	50	95	125	165	32	75	100	140	14	1	252	112	140	139	80	114	140	190	213	430	174	M25x1.5	M20x1.5	23.1
32-160/1.5	50	95	125	165	32	75	100	140	14	1	292	132	160	148	80	118	190	240	254	477	186	M25x1.5	M20x1.5	29.8
32-160/2.2	50	95	125	165	32	75	100	140	14	1	292	132	160	148	80	118	190	240	254	477	186	M25x1.5	M20x1.5	32.4
40-125/1.5	65	115	145	185	40	80	110	150	14	1	252	112	140	148	80	114	160	210	213	477	186	M25x1.5	M20x1.5	26.5
40-125/2.2	65	115	145	185	40	80	110	150	14	1	252	112	140	148	80	114	160	210	213	477	186	M25x1.5	M20x1.5	29.6
50-125/2.2	65	115	145	185	50	95	125	165	16	2	292	132	160	148	100	114	190	240	254	497	186	M25x1.5	M20x1.5	32.9

PUMP 3(.)S 32, 65

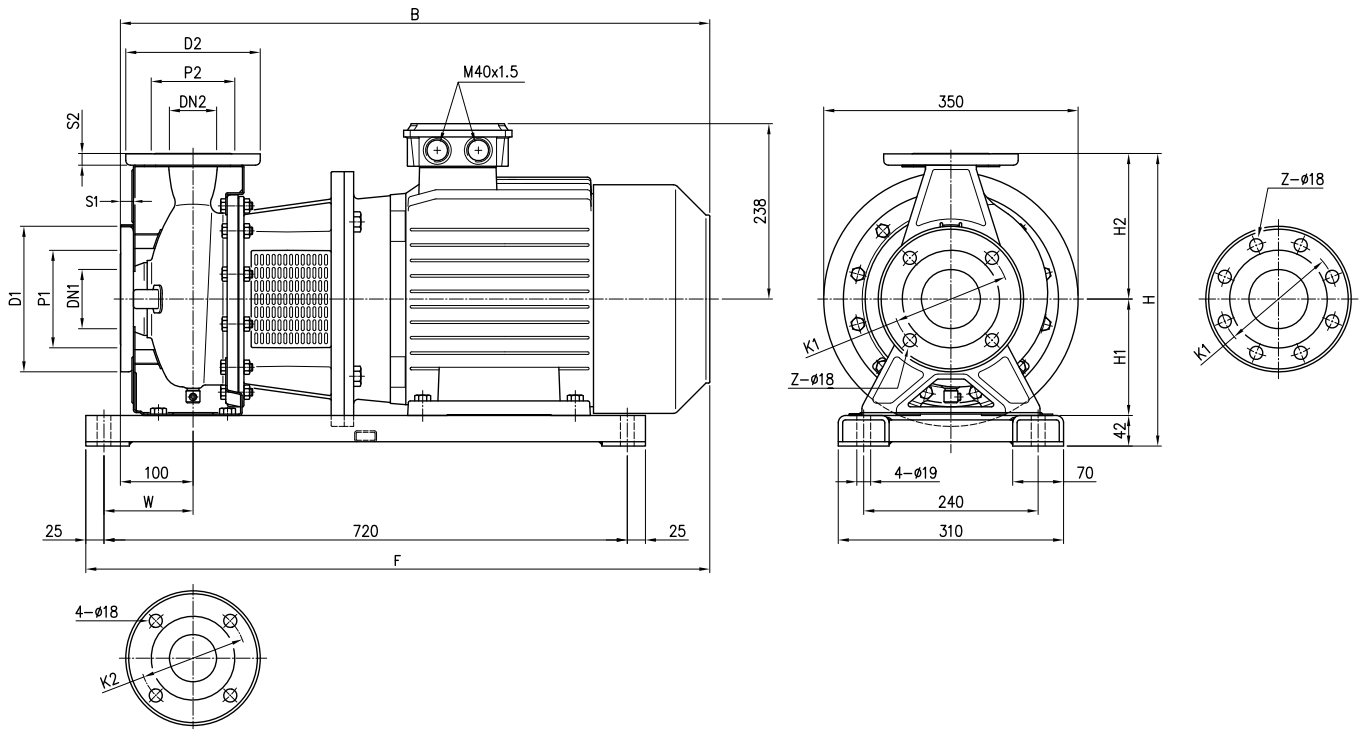


Model	Dimensions [mm]																							Weight [kgf]					
	∅ DN1	∅ P1	∅ K1	∅ D1	S1	Z [1]	Z [2]	∅ DN2	∅ P2	∅ K2	∅ D2	S2	Fig.	H	H1	H2	H3	R	W	M	N1	N2	A		B	C	L1	L2	L3
32-200/3.0	50	95	125	165	16	4	-	32	75	100	140	14	1	340	160	180	155	80	70	119	190	240	296	528	205	160	202	42	46.9
32-200/4.0	50	95	125	165	16	4	-	32	75	100	140	14	1	340	160	180	171	80	70	119	190	240	296	550	212	190	228	38	49
65-125/4.0	80	134	160	200	18	8	4	65	115	145	185	16	2	340	160	180	171	100	95	140	212	280	254	570	212	190	228	38	50.1

[1] Standard

[2] On request

PUMP 3(.)S 40, 50, 65

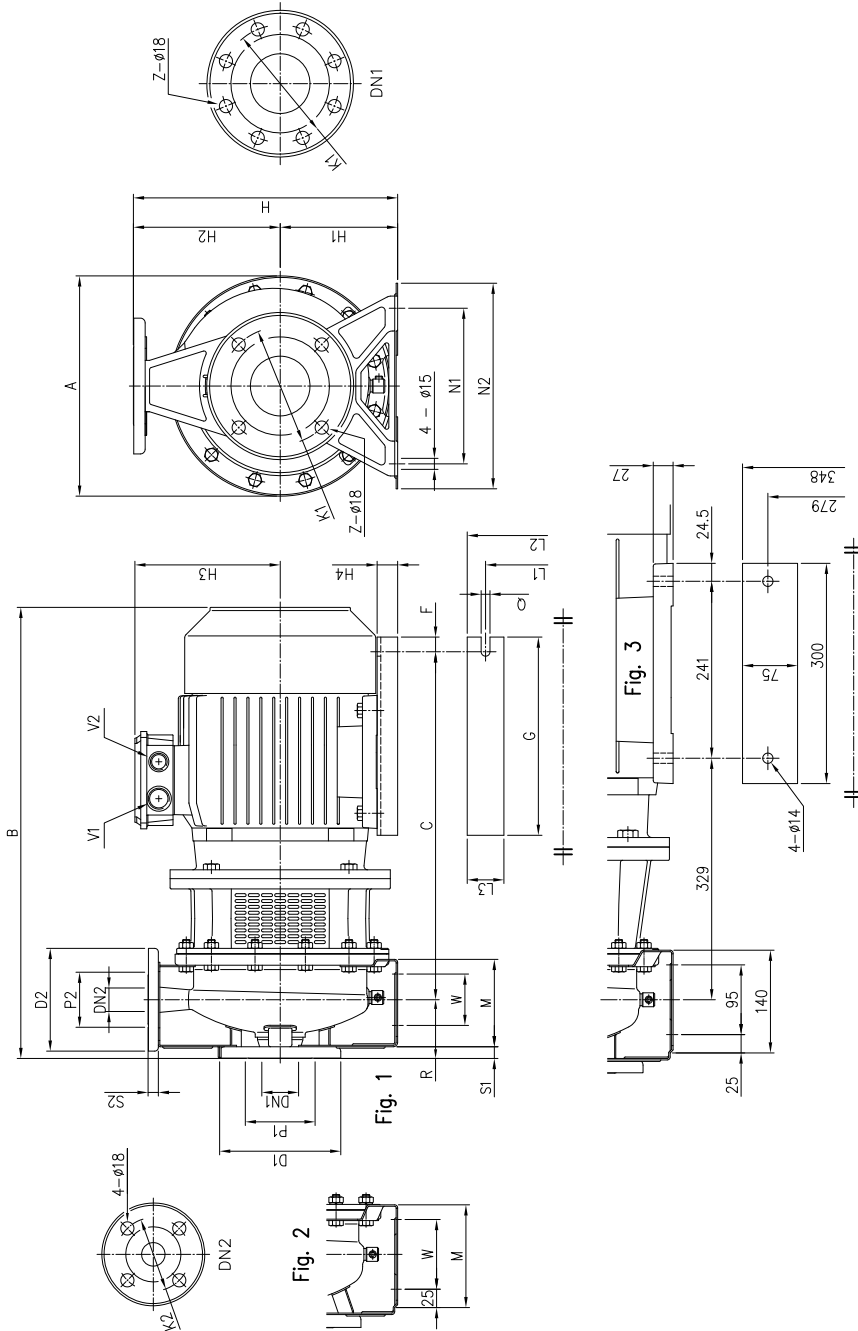


Model	Dimensions [mm]																		Weight [kgf]
	Ø DN1	Ø P1	Ø K1	Ø D1	S1	Z [1]	Z [2]	Ø DN2	Ø P2	Ø K2	Ø D2	S2	H	H1	H2	W	B	F	
40-200/11	65	115	145	185	16	4	-	40	80	110	150	14	382	160	180	110	796	831	107
50-200/11	65	115	145	185	16	4	-	50	95	125	165	16	402	160	200	110	796	831	107
50-200/15	65	115	145	185	16	4	-	50	95	125	165	16	402	160	200	110	796	831	131
65-160/11	80	134	160	200	18	8	4	65	115	145	185	16	402	160	200	122.5	796	844	76
65-160/15	80	134	160	200	18	8	4	65	115	145	185	16	402	160	200	122.5	806	854	104

[1] Standard

[2] On request

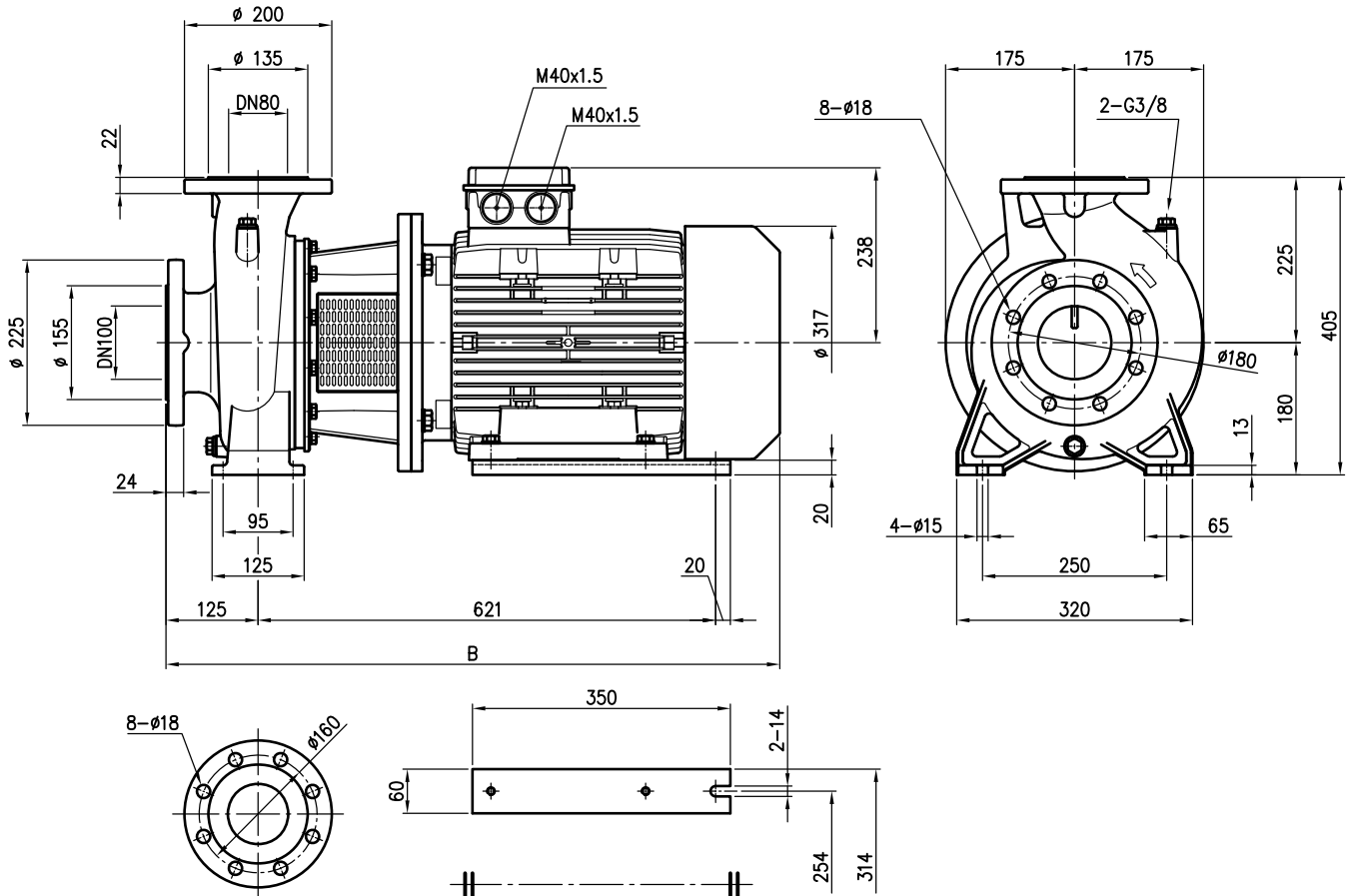
PUMP 3(.)S 32, 40, 50, 65



Model	Dimensions [mm]										Weight [kgf]																								
	Ø DN1	Ø P1	Ø K1	Ø D1	S1	Z	Ø DN2	Ø P2	Ø K2	Ø D2	S2	Fig.	H	H1	H2	H3	H4	R	W	M	N1	N2	A	B	C	F	G	Q	L1	L2	L3	V1	V2		
32-200/5.5	50	95	125	165	16	4	-	32	75	100	140	14	1	340	160	180	198	28	80	70	119	190	240	300	607	479	15	270	12	216	266	50	M32x1.5	M32x1.5	71.8
32-200/7.5	50	95	125	165	16	4	-	32	75	100	140	14	1	340	160	180	198	28	80	70	119	190	240	300	607	479	15	270	12	216	266	50	M32x1.5	M32x1.5	85
40-160/3.0	65	115	145	185	16	4	-	40	80	110	150	14	1	292	132	160	155	32	80	70	118	190	240	254	528	388	15	220	12	160	200	40	M25x1.5	M20x1.5	42.5
40-160/4.0	65	115	145	185	16	4	-	40	80	110	150	14	1	292	132	160	171	20	80	70	118	190	240	254	550	395	15	220	12	190	240	50	M25x1.5	M20x1.5	44.6
40-200/5.5	65	115	145	185	16	4	-	40	80	110	150	14	2	340	160	180	198	28	100	70	115	212	265	300	627	479	15	270	12	216	266	50	M32x1.5	M32x1.5	72.2
40-200/7.5	65	115	145	185	16	4	-	40	80	110	150	14	2	340	160	180	198	28	100	70	115	212	265	300	627	479	15	270	12	216	266	50	M32x1.5	M32x1.5	80
50-125/3.0	65	115	145	185	16	4	-	50	95	125	165	16	2	292	132	160	155	32	100	70	114	190	240	254	548	388	15	220	12	160	200	40	M25x1.5	M20x1.5	35.5
50-160/5.5	65	115	145	185	16	4	-	50	95	125	165	16	2	340	160	180	198	28	100	70	115	212	265	300	627	479	15	270	12	190	240	50	M32x1.5	M20x1.5	45.6
50-160/7.5	65	115	145	185	16	4	-	50	95	125	165	16	2	340	160	180	198	28	100	70	115	212	265	300	627	479	15	270	12	216	266	50	M32x1.5	M32x1.5	63.8
50-200/9.2	65	115	145	185	16	4	-	50	95	125	165	16	2	360	160	200	198	28	100	70	115	212	265	300	667	479	15	270	12	216	266	50	M32x1.5	M32x1.5	89.7
65-125/5.5	80	134	160	200	18	8	4	65	115	145	185	16	2	340	160	180	198	28	100	95	140	212	280	300	627	479	15	270	12	216	266	50	M32x1.5	M32x1.5	60
65-125/7.5	80	134	160	200	18	8	4	65	115	145	185	16	2	340	160	180	198	28	100	95	140	212	280	300	627	479	15	270	12	216	266	50	M32x1.5	M32x1.5	77.4
65-160/7.5	80	134	160	200	18	8	4	65	115	145	185	16	2	360	160	200	198	28	100	95	140	212	280	300	627	479	15	270	12	216	266	50	M32x1.5	M32x1.5	80.4
65-160/9.2	80	134	160	200	18	8	4	65	115	145	185	16	2	360	160	200	198	28	100	95	140	212	280	300	667	479	15	270	12	216	266	50	M32x1.5	M32x1.5	87
65-200/15	80	134	160	200	18	8	4	65	115	145	185	16	2	405	180	225	238	20	100	95	140	250	320	350	806	621	20	350	14	254	314	60	M40x1.5	M40x1.5	121.1
65-200/18.5	80	134	160	200	18	8	4	65	115	145	185	16	2	405	180	225	238	20	100	95	140	250	320	350	850	621	20	350	14	254	314	60	M40x1.5	M40x1.5	130.7
65-200/22	80	134	160	200	18	8	4	65	115	145	185	16	3	405	180	225	268	-	100	-	-	250	320	350	885	-	-	-	-	-	-	-	-	-	168

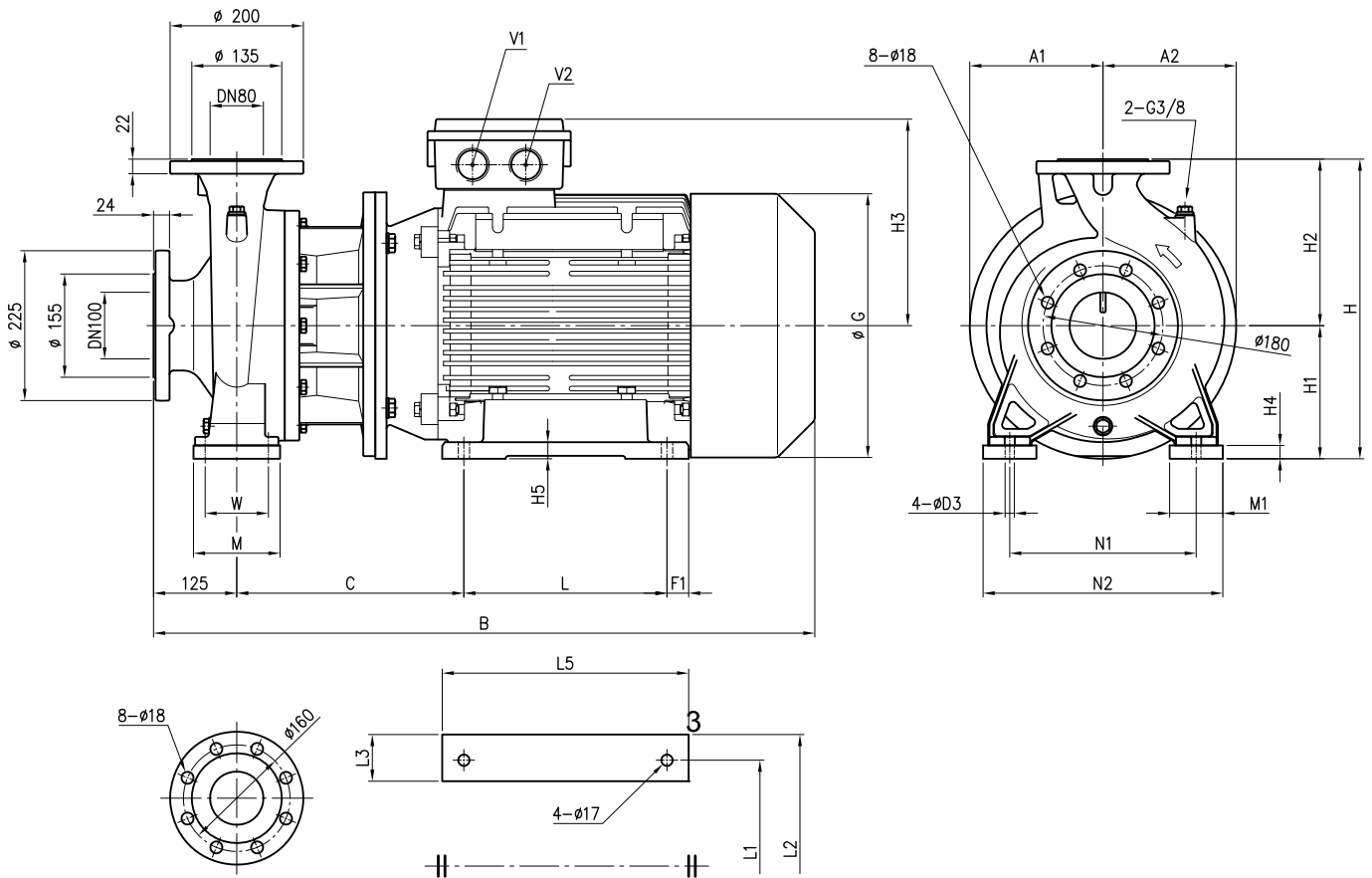
[1] Standard [2] On request

PUMP 3LS 80-160



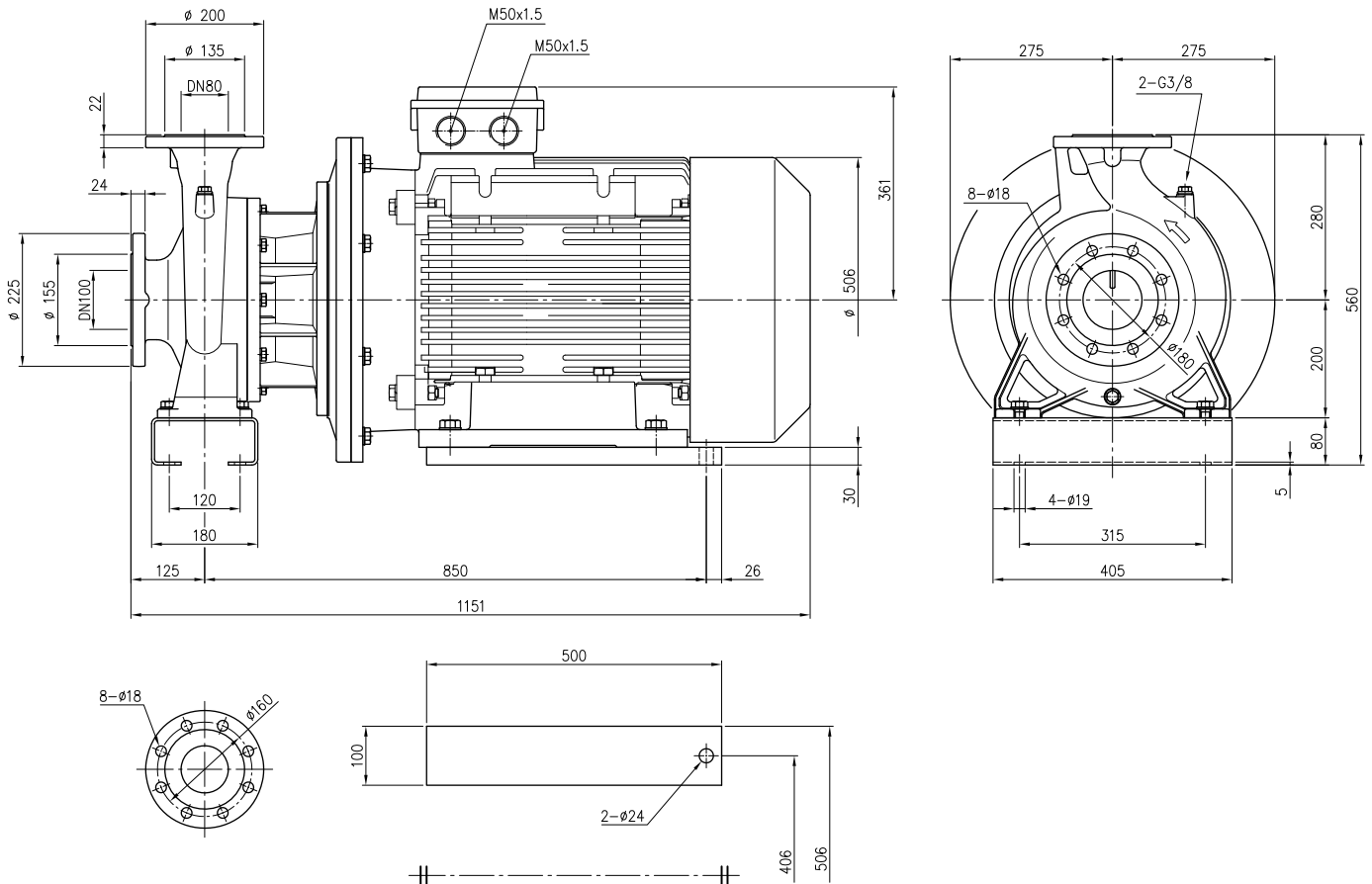
Pump type	B	Weight [kgf]
80-160/11	831	135
80-160/15R	831	140.1
80-160/15	831	140.1
80-160/18.5	875	144.7

PUMP 3LS 80-200/250



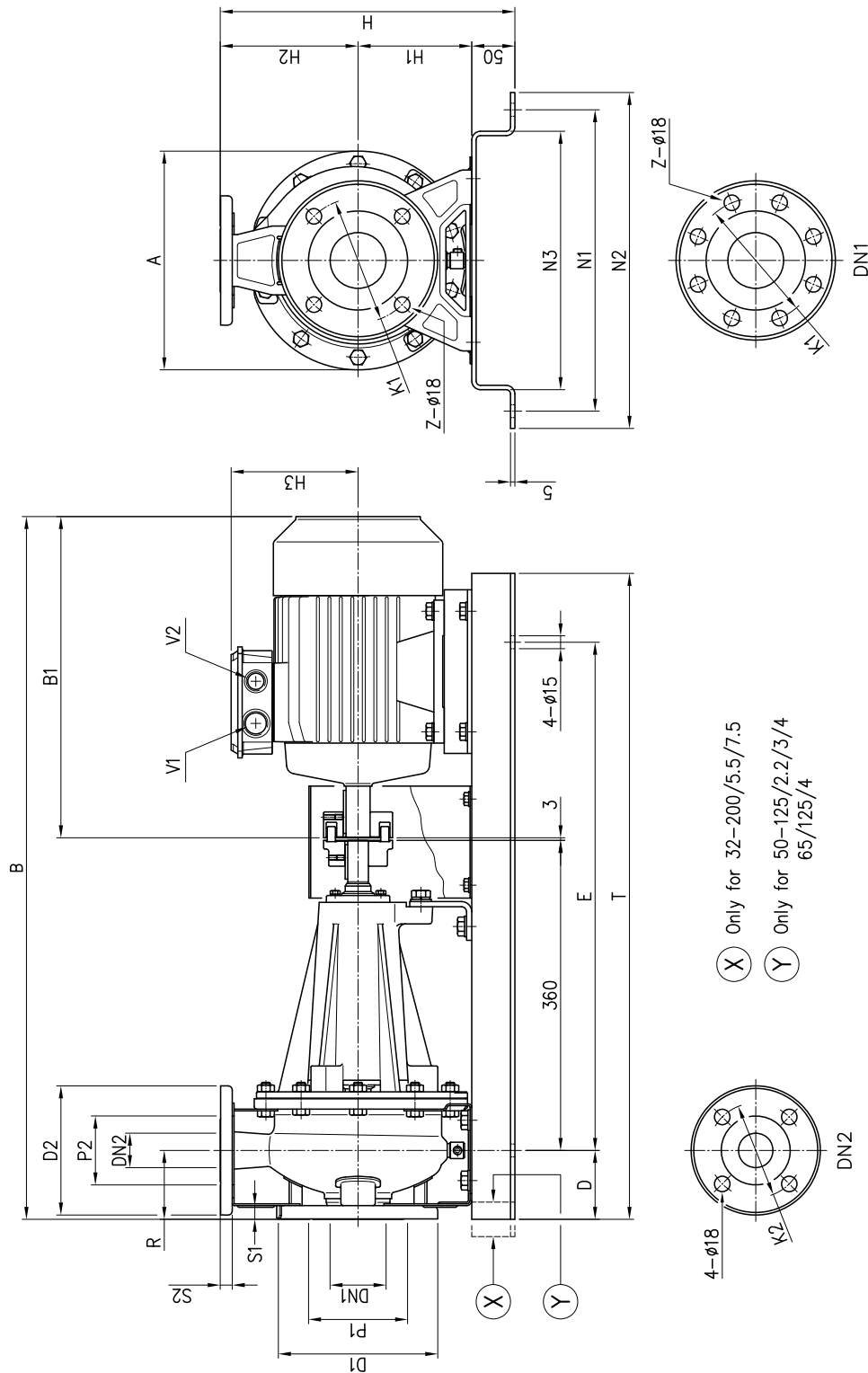
Pump type	Dimensions [mm]																				Weight [kgf]					
	H	H1	H2	H3	H4	H5	W	N1	N2	M	M1	L	L1	L2	L3	L5	A1	A2	B	C		F1	G	D3	V1	V2
80-200/30	450	200	250	300	20	25	95	280	360	130	80	305	318	388	80	358	200	200	991	341	21.5	399	14	M40x1.5	M40x1.5	306
80-200/37	450	200	250	300	20	25	95	280	360	130	80	305	318	388	80	358	200	200	991	341	21.5	399	14	M40x1.5	M40x1.5	325
80-250/45	505	225	280	335	25	28	120	315	415	165	100	311	356	436	80	386	225	225	1060	385	37.5	465	18	M50x1.5	M50x1.5	401

PUMP 3LS 80-250/55



Pump weight: 489 kgf

PUMP 3(.)P 32, 40, 50, 65



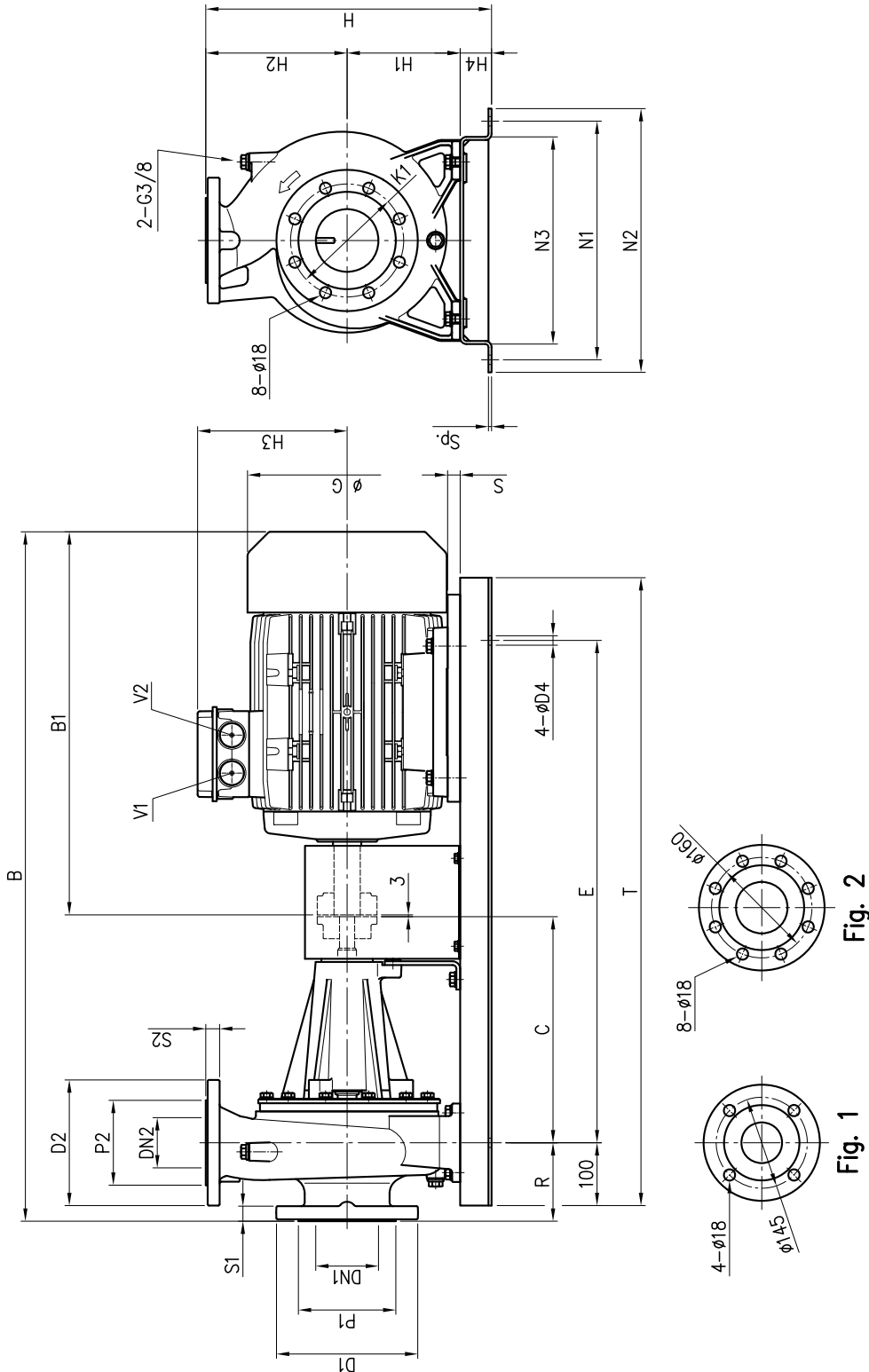
For dimensions see table pag. 413

PUMP 3(.)P 32, 40, 50, 65

Model	Dimensions [mm]																	Weight [kgf]											
	Ø DN	Ø P1	Ø K1	Ø D1	Ø S1	[1]	Z	Ø DN2	Ø P2	Ø K2	Ø D2	S2	H	H1	H2	H3	R		A	B	B1	D	E	N1	N2	N3	T	V1	V2
32-125/1.1	50	95	125	165	16	4	-	32	75	100	140	14	302	112	140	139	80	213	715	272	80	550	300	340	250	710	M25x1.5	M20x1.5	45.1
32-160/1.5	50	95	125	165	16	4	-	32	75	100	140	14	342	132	160	148	80	254	760	317	80	590	350	390	300	750	M25x1.5	M20x1.5	52.3
32-160/2.2	50	95	125	165	16	4	-	32	75	100	140	14	342	132	160	148	80	254	760	317	80	590	350	390	300	750	M25x1.5	M20x1.5	53.5
32-200/3	50	95	125	165	16	4	-	32	75	100	140	14	390	160	180	155	80	296	809	366	80	590	350	390	300	750	M25x1.5	M20x1.5	71.5
32-200/4	50	95	125	165	16	4	-	32	75	100	140	14	390	160	180	171	80	296	831	388	80	590	350	390	300	750	M25x1.5	M20x1.5	75.1
32-200/5.5	50	95	125	165	16	4	-	32	75	100	140	14	390	160	180	198	80	296	885	442	100	650	350	390	300	850	M32x1.5	M32x1.5	97
32-200/7.5	50	95	125	165	16	4	-	32	75	100	140	14	390	160	180	198	80	296	885	442	100	650	350	390	300	850	M32x1.5	M32x1.5	110.2
40-125/1.5	65	115	145	185	16	4	-	40	80	110	150	14	302	112	140	148	80	213	760	317	80	550	300	340	250	710	M25x1.5	M20x1.5	49.8
40-125/2.2	65	115	145	185	16	4	-	40	80	110	150	14	302	112	140	148	80	213	760	317	80	550	300	340	250	710	M25x1.5	M20x1.5	51
40-160/3	65	115	145	185	16	4	-	40	80	110	150	14	342	132	160	155	80	254	809	366	80	590	350	390	300	750	M25x1.5	M20x1.5	81
40-160/4	65	115	145	185	16	4	-	40	80	110	150	14	342	132	160	171	80	254	831	388	80	590	350	390	300	750	M25x1.5	M20x1.5	67.6
40-200/5.5	65	115	145	185	16	4	-	40	80	110	150	14	390	160	180	198	100	296	905	442	100	650	350	390	300	850	M32x1.5	M32x1.5	98
40-200/7.5	65	115	145	185	16	4	-	40	80	110	150	14	390	160	180	198	100	296	905	442	100	650	350	390	300	850	M32x1.5	M32x1.5	104.9
40-200/11	65	115	145	185	16	4	-	40	80	110	150	14	390	160	180	238	100	296	1071	608	100	800	380	420	330	1000	M40x1.5	M40x1.5	117
50-125/2.2	65	115	145	185	16	4	-	50	95	125	165	16	342	132	160	148	100	254	780	317	80	550	350	390	300	710	M25x1.5	M20x1.5	75
50-125/3	65	115	145	185	16	4	-	50	95	125	165	16	342	132	160	155	100	254	829	366	80	590	350	390	300	750	M25x1.5	M20x1.5	82.5
50-125/4	65	115	145	185	16	4	-	50	95	125	165	16	342	132	160	171	100	254	851	388	80	590	350	390	300	750	M25x1.5	M20x1.5	84.6
50-160/5.5	65	115	145	185	16	4	-	50	95	125	165	16	390	160	180	198	100	296	905	442	100	650	350	390	300	850	M32x1.5	M32x1.5	98
50-160/7.5	65	115	145	185	16	4	-	50	95	125	165	16	390	160	180	198	100	296	905	442	100	650	350	390	300	850	M32x1.5	M32x1.5	104.9
50-200/9.2	65	115	145	185	16	4	-	50	95	125	165	16	410	160	200	198	100	296	945	482	100	650	350	390	300	850	M32x1.5	M32x1.5	110
50-200/11	65	115	145	185	16	4	-	50	95	125	165	16	410	160	200	238	100	296	1071	608	100	800	380	420	330	1000	M40x1.5	M40x1.5	117.5
50-200/15	65	115	145	185	16	4	-	50	95	125	165	16	410	160	200	238	100	296	1071	608	100	800	380	420	330	1000	M40x1.5	M40x1.5	118.5
65-125/4	80	134	160	200	18	8	4	65	115	145	185	16	390	160	180	171	100	254	851	388	80	590	350	390	300	750	M25x1.5	M20x1.5	85.1
65-125/5.5	80	134	160	200	18	8	4	65	115	145	185	16	390	160	180	198	100	254	905	442	100	650	350	390	300	850	M32x1.5	M32x1.5	99
65-125/7.5	80	134	160	200	18	8	4	65	115	145	185	16	390	160	180	198	100	254	905	442	100	650	350	390	300	850	M32x1.5	M32x1.5	107.4
65-160/7.5	80	134	160	200	18	8	4	65	115	145	185	16	410	160	200	198	100	296	905	442	100	650	350	390	300	850	M32x1.5	M32x1.5	113.4
65-160/9.2	80	134	160	200	18	8	4	65	115	145	185	16	410	160	200	198	100	296	945	482	100	650	350	390	300	850	M32x1.5	M32x1.5	117
65-160/11	80	134	160	200	18	8	4	65	115	145	185	16	410	160	200	238	100	296	1071	608	100	800	380	420	330	1000	M40x1.5	M40x1.5	114
65-160/15	80	134	160	200	18	8	4	65	115	145	185	16	410	160	200	238	100	296	1071	608	100	800	380	420	330	1000	M40x1.5	M40x1.5	112.1
65-200/15	80	134	160	200	18	8	4	65	115	145	185	16	455	180	225	238	100	296	1071	608	100	800	380	420	330	1000	M40x1.5	M40x1.5	120.1
65-200/18.5	80	134	160	200	18	8	4	65	115	145	185	16	455	180	225	238	100	296	1115	652	100	800	380	420	330	1000	M40x1.5	M40x1.5	128.7
65-200/22	80	134	160	200	18	8	4	65	115	145	185	16	455	180	225	268	100	296	1150	687	100	800	410	450	360	1000	M32x1.5	M32x1.5	182

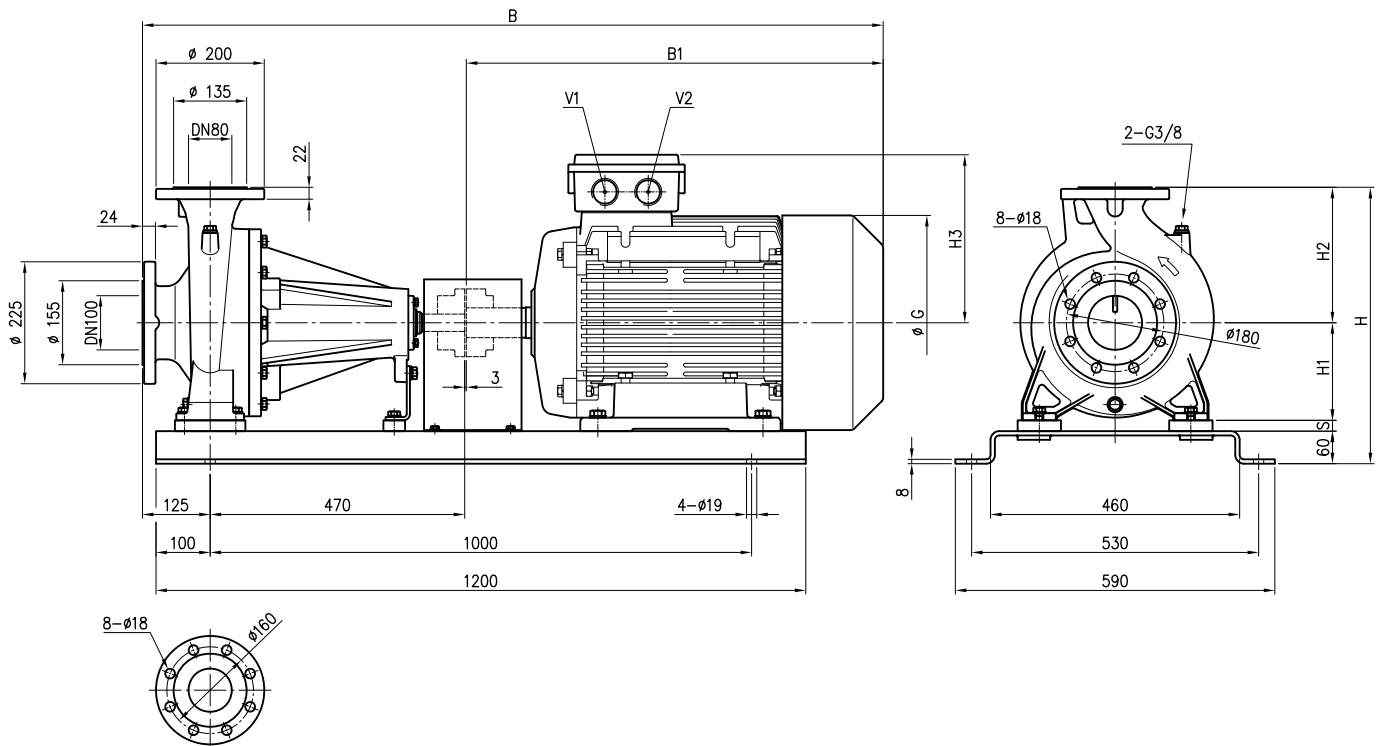
[1] Standard [2] On request

PUMP 3LP 65-250, 80



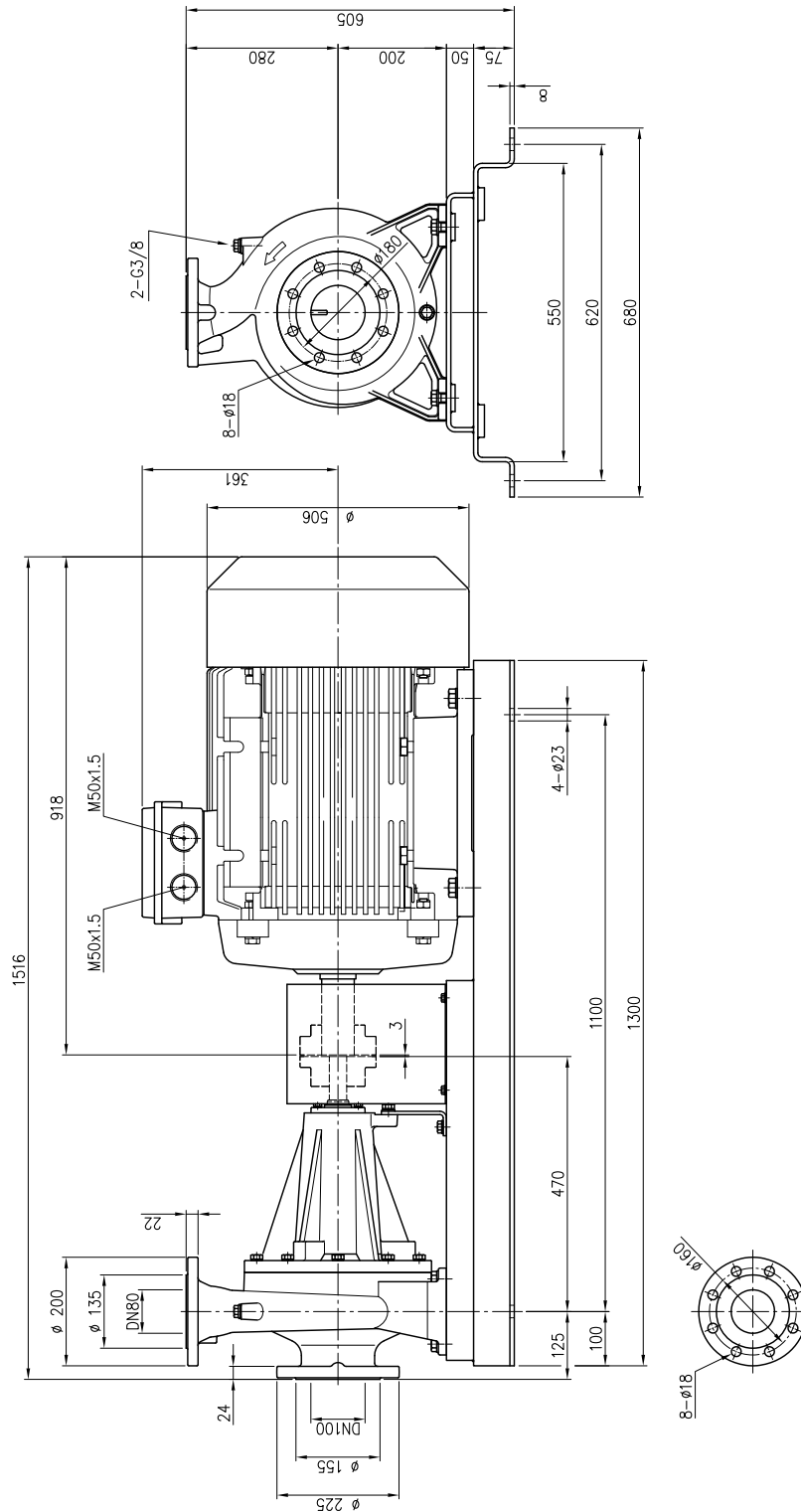
Pump type	Dimensions [mm]																				Weight [kgf]										
	DN1	P1	k1	D1	S1	DN2	P2	D2	S2	H	H1	H2	H3	H4	R	N1	N2	N3	B	B1		C	G	E	T	S	D4	Sp.	V1	V2	
65-250/30	80	135	160	200	22	65	Fig. 1	120	185	20	510	200	250	300	60	100	530	590	460	1341	768	470	399	1000	1200	-	19	8	M40x1.5	M40x1.5	354
65-250/37	80	135	160	200	22	65	Fig. 1	120	185	20	510	200	250	300	60	100	530	590	460	1341	768	470	399	1000	1200	-	19	8	M40x1.5	M40x1.5	373
80-160/11	100	155	180	225	24	80	Fig. 2	135	200	22	455	180	225	238	50	125	380	420	330	1096	608	360	317	800	1000	20	15	5	M40x1.5	M40x1.5	164
80-160/15R	100	155	180	225	24	80	Fig. 2	135	200	22	455	180	225	238	50	125	380	420	330	1096	608	360	317	800	1000	20	15	5	M40x1.5	M40x1.5	169,1
80-160/15	100	155	180	225	24	80	Fig. 2	135	200	22	455	180	225	238	50	125	380	420	330	1096	608	360	317	800	1000	20	15	5	M40x1.5	M40x1.5	169,1
80-160/18.5	100	155	180	225	24	80	Fig. 2	135	200	22	455	180	225	238	50	125	380	420	330	1140	652	360	317	800	1000	20	15	5	M40x1.5	M40x1.5	174,7
80-200/22	100	155	180	225	24	80	Fig. 2	135	200	22	490	180	250	268	60	125	530	590	460	1285	687	470	360	1000	1200	-	19	8	M32x1.5	M32x1.5	252
80-250/37	100	155	180	225	24	80	Fig. 2	135	200	22	540	200	280	300	60	125	530	590	460	1366	768	470	399	1000	1200	-	19	8	M40x1.5	M40x1.5	377

PUMP 3LP 80-200/250



Pump type	H	H1	H2	H3	B	B1	G	S	V1	V2	Weight [kgf]
80-200/30	510	180	250	300	1366	768	399	20	M40x1.5	M40x1.5	356
80-200/37	510	180	250	300	1366	768	399	20	M40x1.5	M40x1.5	365
80-250/45	565	200	280	335	1407	809	465	25	M50x1.5	M50x1.5	440

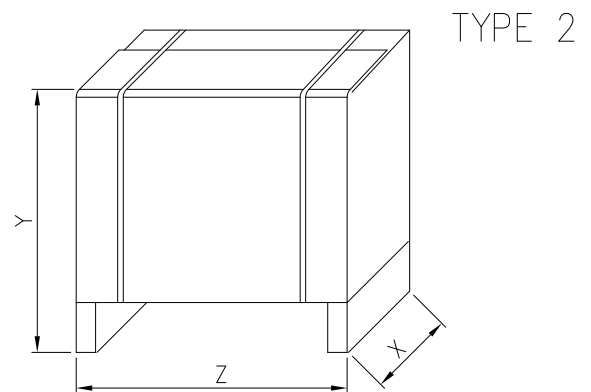
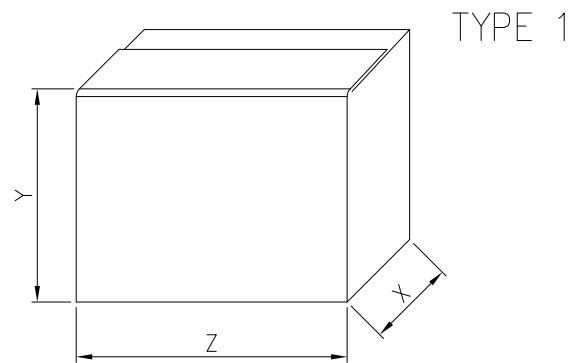
PUMP 3LP 80-250/55



Pump weigh:528 kgf

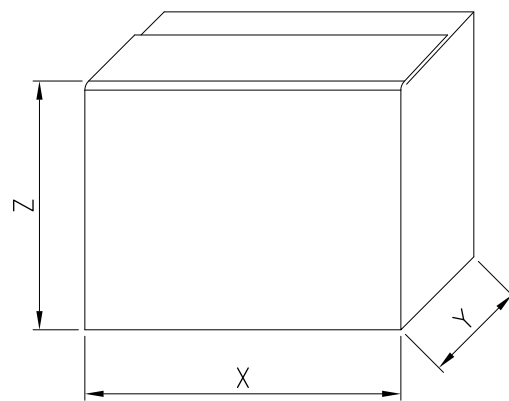
PACKING 3(.)M

Pump type	Packing [mm]			Weight [kgf]		Pack type
	X	Y	Z	[1~]	[3~]	
32-125/1.1 (M)	250	300	450	21.5	29	1
32-160/1.5 (M)	280	330	430	24.2	31.7	
32-160/2.2 (M)	280	330	430	27.3	33.5	
32-200/3	330	390	500	-	41	
32-200/4	335	395	565	-	44	
32-200/5.5	335	395	565	-	60.5	
32-200/7.5	335	395	565	-	62.5	2
40-125/1.5 (M)	250	300	450	22.3	30	1
40-125/2.2 (M)	250	300	450	24.7	31.5	
40-160/3	280	340	490	-	28.8	
40-160/4	335	395	565	-	46.5	2
40-200/5.5	350	480	580	-	61.5	
40-200/7.5	350	480	580	-	65	
40-200/11	350	490	700	-	77	1
50-125/2.2 (M)	280	340	490	30.8	38	
50-125/3	335	395	565	-	37	2
50-125/4	335	395	565	-	47	
50-160/5.5	350	480	580	-	51.5	
50-160/7.5	350	480	580	-	64.5	
50-200/9.2	350	490	700	-	73.5	
50-200/11	350	490	700	-	76.5	
50-200/15	390	520	880	-	110	1
65-125/4	335	395	565	-	41.7	
65-125/5.5	350	480	580	-	53.2	2
65-125/7.5	350	490	700	-	53.5	
65-160/7.5	350	490	700	-	57.5	
65-160/9.2	350	490	700	-	66.5	
65-160/11	350	490	700	-	70	
65-160/15	390	520	880	-	109	
65-200/15	390	520	880	-	112	
65-200/18.5	390	520	880	-	121	
65-200/22	390	520	880	-	128	
80-160/11	390	533	700	-	103	
80-160/13	390	518	880	-	133	
80-160/15	390	518	880	-	134	
80-160/18.5	390	518	880	-	145	

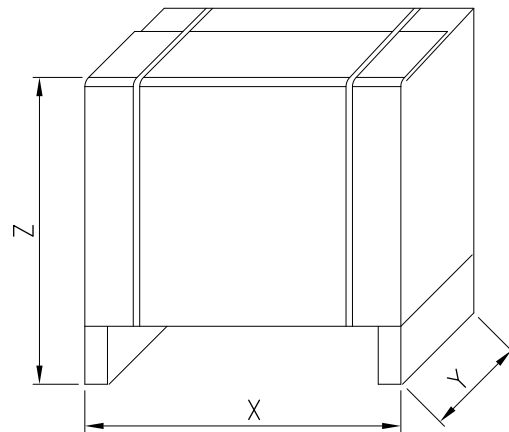


PACKING 3(.).S

Pump type	Packing [mm]			Weight [kg]	Pack Type
	X	Y	Z		
32-125/1.1	450	250	300	34.7	1
32-160/1.5	580	350	480	35.9	
32-160/2.2				51	
32-200/3.0	700	350	490	51.9	
32-200/4.0				74.3	
32-200/5.5				82.1	
32-200/7.5				30.2	
40-125/1.5	580	350	480	33.3	
40-125/2.2				45.4	
40-160/3.0	700	350	490	49	
40-160/4.0				76.4	
40-200/5.5				84.2	
40-200/7.5				114	
40-200/11	880	390	520	46.5	2
50-125/3.0	700	350	490	49.6	
50-125/4.0				76.8	
50-160/5.5				84	
50-160/7.5				93.7	
50-200/9.2				115	
50-200/11				880	
50-200/15				50.1	
65-125/4.0	700	350	490	69	
65-125/5.5				77.4	
65-125/7.5				80.4	
65-160/7.5				87	
65-160/9.2				76	
65-160/11	880		520	97.1	
65-160/15	970		580	121.1	
65-200/15	880	390	520	130.7	
65-200/18.5	970		580	160	
65-200/22				322	
65-250/30	1100	500	717	339	
65-250/37				141	
80-160/11				880	
80-160/15R	880	390	518	146.1	
80-160/15				151.7	
80-160/18.5	970	390	588	219	
80-200/22	1100	500	717	325	
80-200/30				344	
80-200/37				354	
80-250/37				429	
80-250/45				517	
80-250/55	1400	600	817	517	



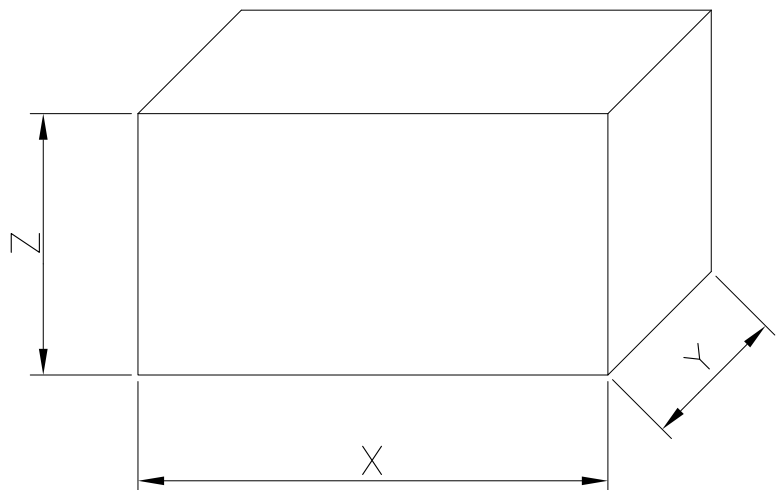
TYPE 1



TYPE 2

PACKING 3(.)P

Pump type	Packing [mm]			Weight [kgf]
	X	Y	Z	
32-125/1.1	715	340	302	45.1
32-125/1.1 M			312	43.5
32-160/1.5	760	390	342	52.3
32-160/1.5 M			51	
32-160/2.2			53.5	
32-160/2.2 M			53.5	
32-200/3.0			809	390
32-200/4.0	831	408	75.1	
32-200/5.5	913		97	
32-200/7.5		110.2		
40-125/1.5	760	340	302	49.8
40-125/1.5 M			322	48.5
40-125/2.2	760	340	302	51
40-125/2.2 M			322	51
40-160/3.0	809	390	342	81
40-160/4.0	831		343	67.6
40-200/5.5	913	408	98	
40-200/7.5			104.9	
40-200/11	1076	420	456	117
50-125/2.2	780	390	342	75
50-125/2.2 M			342	75
50-125/3.0	829	390	343	82.5
50-125/4.0			851	343
50-160/5.5	913	408	98	
50-160/7.5			104.9	
50-200/9.2	951	420	410	110
50-200/11	1076		456	117.5
50-200/15		456	118.5	
65-125/4.0	851	390	390	85.1
65-125/5.5			408	99
65-125/7.5	913	390	408	107.4
65-160/7.5			410	113.4
65-160/9.2	951	420	410	117
65-160/11			456	114
65-160/15	1076	420	456	112.1
65-200/15			476	120.1
65-200/18.5	1120	450	496	128.7
65-200/22	1175		496	182
65-250/30	1352	590	601	354
65-250/37			601	373
80-160/11	1101	420	476	164
80-160/15R			476	169.1
80-160/15			476	169.1
80-160/18.5			1145	476
80-200/22	1310	590	506	252
80-200/30			601	356
80-200/37	1377	590	601	365
80-250/37			601	377
80-250/45	1465	645	440	



MOTOR DATA 3(.)M

Pump type		Power		Efficiency		Capacitor		Efficiency (% load)			Input		Full load current				Locked rotor current			
Single Phase	Three Phase	[kW]	[HP]	Single Phase	Three Phase	Single Phase	Three Phase	Three phase			Single Phase	Three Phase	[A]				[A]			
								50%	75%	100%			230 V	230 V	400 V	690 V	230 V	230 V	400 V	690 V
3(.)M 32-125/1.1 M	3(.)M 32-125/1.1	1.1	1.5	-	IE2	31.5	450	79.5	82.0	82.5	1.51	1.82	6.7	5.5	3.2	-	23.5	57.0	33.0	-
3(.)M 32-160/1.5 M	3(.)M 32-160/1.5	1.5	2.0	-	IE2	40	450	79.5	82.0	82.5	2.10	1.82	9.6	5.5	3.2	-	47	57.0	33.0	-
3(.)M 32-160/2.2 M	3(.)M 32-160/2.2	2.2	3.0	-	IE2	50	450	83.1	85.7	86.2	2.95	2.55	13.3	7.8	4.5	-	63.8	75.0	43.5	-
-	3(.)M 32-200/3.0	3.0	4.0	-	IE2	-	-	85.0	86.7	86.3	-	3.48	-	10.6	6.1	-	-	100.0	57.7	-
-	3(.)M 32-200/4.0	4.0	5.5	-	IE2	-	-	84.3	87.2	87.8	-	4.56	-	15.1	8.7	-	-	151.0	87.0	-
-	3(.)M 32-200/5.5	5.5	7.5	-	IE2	-	-	82.9	86.0	87.4	-	6.29	-	10.4	6.0	-	-	116.0	67.0	-
-	3(.)M 32-200/7.5	7.5	10.0	-	IE2	-	-	86.1	88.2	88.8	-	8.45	-	13.7	7.9	-	-	140.0	81.0	-
3(.)M 40-125/1.5 M	3(.)M 40-125/1.5	1.5	2.0	-	IE2	40	450	79.5	82.0	82.5	2.10	1.82	9.6	5.5	3.2	-	47	57.0	33.0	-
3(.)M 40-125/2.2 M	3(.)M 40-125/2.2	2.2	3.0	-	IE2	50	450	83.1	85.7	86.2	2.95	2.55	13.3	7.8	4.5	-	63.8	75.0	43.5	-
-	3(.)M 40-160/3.0	3.0	4.0	-	IE2	-	-	85.0	86.7	86.3	-	3.48	-	10.6	6.1	-	-	100.0	57.7	-
-	3(.)M 40-160/4.0	4.0	5.5	-	IE2	-	-	84.3	87.2	87.8	-	4.56	-	15.1	8.7	-	-	151.0	87.0	-
-	3(.)M 40-200/5.5	5.5	7.5	-	IE2	-	-	82.9	86.0	87.4	-	6.29	-	10.4	6.0	-	-	116.0	67.0	-
-	3(.)M 40-200/7.5	7.5	10.0	-	IE2	-	-	86.1	88.2	88.8	-	8.45	-	13.7	7.9	-	-	140.0	81.0	-
-	3(.)M 40-200/11	11.0	15.0	-	IE2	-	-	88.9	90.3	90.2	-	12.20	-	38.0	21.9	-	-	322.0	186.0	-
3(.)M 50-125/2.2 M	3(.)M 50-125/2.2	2.2	3.0	-	IE2	50	450	83.1	85.7	86.2	2.95	2.55	13.3	7.8	4.5	-	63.8	75.0	43.5	-
-	3(.)M 50-125/3.0	3.0	4.0	-	IE2	-	-	85.0	86.7	86.3	-	3.48	-	10.6	6.1	-	-	100.0	57.7	-
-	3(.)M 50-125/4.0	4.0	5.5	-	IE2	-	-	84.3	87.2	87.8	-	4.56	-	15.1	8.7	-	-	151.0	87.0	-
-	3(.)M 50-160/5.5	5.5	7.5	-	IE2	-	-	82.9	86.0	87.4	-	6.29	-	10.4	6.0	-	-	116.0	67.0	-
-	3(.)M 50-160/7.5	7.5	10.0	-	IE2	-	-	86.1	88.2	88.8	-	8.45	-	13.7	7.9	-	-	140.0	81.0	-
-	3(.)M 50-200/9.2	9.2	12.5	-	IE2	-	-	88.6	90.0	89.9	-	10.23	-	16.8	9.7	-	-	166.0	96.0	-
-	3(.)M 50-200/11	11.0	15.0	-	IE2	-	-	88.9	90.3	90.2	-	12.20	-	21.9	12.7	-	-	186.0	108.0	-
-	3(.)M 50-200/15	15.0	20.0	-	IE2	-	-	89.3	91.0	91.1	-	16.47	-	28.3	16.4	-	-	246.0	143.0	-
-	3(.)M 65-125/4	4.0	5.5	-	IE2	-	-	84.3	87.2	87.8	-	4.56	-	15.1	8.7	-	-	151.0	87.0	-
-	3(.)M 65-125/5.5	5.5	7.5	-	IE2	-	-	82.9	86.0	87.4	-	6.29	-	10.4	6.0	-	-	116.0	67.0	-
-	3(.)M 65-125/7.5	7.5	10.0	-	IE2	-	-	86.1	88.2	88.8	-	8.45	-	13.7	7.9	-	-	140.0	81.0	-
-	3(.)M 65-160/7.5	7.5	10.0	-	IE2	-	-	86.1	88.2	88.8	-	8.45	-	13.7	7.9	-	-	140.0	81.0	-
-	3(.)M 65-160/9.2	9.2	12.5	-	IE2	-	-	88.6	90.0	89.9	-	10.23	-	16.8	9.7	-	-	166.0	96.0	-
-	3(.)M 65-160/11	11.0	15.0	-	IE2	-	-	88.9	90.3	90.2	-	12.20	-	21.9	12.7	-	-	186.0	108.0	-
-	3(.)M 65-160/15	15.0	20.0	-	IE2	-	-	89.3	91.0	91.1	-	16.47	-	28.3	16.4	-	-	246.0	143.0	-
-	3(.)M 65-200/15	15.0	20.0	-	IE2	-	-	89.3	91.0	91.1	-	16.47	-	28.3	16.4	-	-	246.0	143.0	-
-	3(.)M 65-200/18.5	18.5	25.0	-	IE2	-	-	89.8	91.2	91.7	-	20.17	-	36.3	21.0	-	-	325.0	188.0	-
-	3(.)M 65-200/22	22.0	30.0	-	IE2	-	-	89.9	91.9	92.4	-	23.80	-	40.8	23.7	-	-	383.0	222.0	-
-	3LM 80-160/11	11.0	15.0	-	IE2	-	-	88.9	90.3	90.2	-	12.20	-	21.9	12.7	-	-	186.0	108.0	-
-	3LM 80-160/13	13.0	17.5	-	IE2	-	-	89.3	91.0	91.1	-	16.47	-	28.3	16.4	-	-	246.0	143.0	-
-	3LM 80-160/15	15.0	20.0	-	IE2	-	-	89.3	91.0	91.1	-	16.47	-	28.3	16.4	-	-	246.0	143.0	-
-	3LM 80-160/18.5	18.5	25.0	-	IE2	-	-	89.8	91.2	91.7	-	20.17	-	36.3	21.0	-	-	325.0	188.0	-

MOTOR DATA 3(.)S-3(.)P

Pump type		Power		Efficiency	Input [kW]	Efficiency (% load) and power-factor				Full load current [A]			Locked rotor current [A]		
		[kW]	[HP]			50%	75%	100%	cos-φ	230 V	400 V	690 V	230 V	400 V	690 V
3(.)S 32-125/1.1	3(.)P 32-125/1.1	1.1	1.5	IE2	1.35	79.5	81.2	81.5	0.78	4.3	2.5	-	29.4	17.0	-
3(.)S 32-160/1.5	3(.)P 32-160/1.5	1.5	2	IE2	1.77	81.0	82.8	82.8	0.80	5.5	3.2	-	44.9	25.9	-
3(.)S 32-160/2.2	3(.)P 32-160/2.2	2.2	3	IE2	2.59	82.5	84.0	84.0	0.85	7.6	4.4	-	64.8	37.4	-
3(.)S 32-200/3.0	3(.)P 32-200/3.0	3	4	IE2	3.43	84.1	85.8	85.5	0.84	10.2	5.9	-	81.8	47.2	-
3(.)S 32-200/4.0	3(.)P 32-200/4.0	4	5.5	IE2	4.65	85.2	86.4	86.1	0.86	13.5	7.8	-	110.9	64.0	-
3(.)S 32-200/5.5	3(.)P 32-200/5.5	5.5	7.5	IE2	6.34	85.8	87.4	87.3	0.88	-	10.4	6.0	-	83.2	48.0
3(.)S 32-200/7.5	3(.)P 32-200/7.5	7.5	10	IE2	8.56	86.5	88.3	88.3	0.87	-	14.2	8.2	-	115.0	66.4
3(.)S 40-125/1.5	3(.)P 40-125/1.5	1.5	2	IE2	1.77	81.0	82.8	82.8	0.80	5.5	3.2	-	44.9	25.9	-
3(.)S 40-125/2.2	3(.)P 40-125/2.2	2.2	3	IE2	2.59	82.5	84.0	84.0	0.85	7.6	4.4	-	64.8	37.4	-
3(.)S 40-160/3.0	3(.)P 40-160/3.0	3	4	IE2	3.43	84.1	85.8	85.5	0.84	10.2	5.9	-	81.8	47.2	-
3(.)S 40-160/4.0	3(.)P 40-160/4.0	4	5.5	IE2	4.65	85.2	86.4	86.1	0.86	13.5	7.8	-	110.9	64.0	-
3(.)S 40-200/5.5	3(.)P 40-200/5.5	5.5	7.5	IE2	6.34	85.8	87.4	87.3	0.88	-	10.4	6.0	-	83.2	48.0
3(.)S 40-200/7.5	3(.)P 40-200/7.5	7.5	10	IE2	8.56	86.5	88.3	88.3	0.87	-	14.2	8.2	-	115.0	66.4
3(.)S 40-200/11	3(.)P 40-200/11	11	15	IE2	12.35	88.1	90.0	89.7	0.90	-	19.8	11.4	-	148.5	85.7
3(.)S 50-125/2.2	3(.)P 50-125/2.2	2.2	3	IE2	2.59	82.5	84.0	84.0	0.85	7.6	4.4	-	64.8	37.4	-
3(.)S 50-125/3.0	3(.)P 50-125/3.0	3	4	IE2	3.43	84.1	85.8	85.5	0.84	10.2	5.9	-	81.8	47.2	-
3(.)S 50-125/4.0	3(.)P 50-125/4.0	4	5.5	IE2	4.65	85.2	86.4	86.1	0.86	13.5	7.8	-	110.9	64.0	-
3(.)S 50-160/5.5	3(.)P 50-160/5.5	5.5	7.5	IE2	6.34	85.8	87.4	87.3	0.88	-	10.4	6.0	-	83.2	48.0
3(.)S 50-160/7.5	3(.)P 50-160/7.5	7.5	10	IE2	8.56	86.5	88.3	88.3	0.87	-	14.2	8.2	-	115.0	66.4
3(.)S 50-200/9.2	3(.)P 50-200/9.2	9.2	12.5	IE2	10.19	88.4	89.9	90.0	0.87	-	16.9	9.8	-	135.0	78.0
3(.)S 50-200/11	3(.)P 50-200/11	11	15	IE2	12.35	88.1	90.0	89.7	0.90	-	19.8	11.4	-	148.5	85.7
3(.)S 50-200/15	3(.)P 50-200/15	15	20	IE2	16.58	90.0	91.0	90.8	0.88	-	27.2	15.7	-	206.7	119.3
3(.)S 65-125/4	3(.)P 65-125/4	4	5.5	IE2	4.65	85.2	86.4	86.1	0.86	13.5	7.8	-	110.9	64.0	-
3(.)S 65-125/5.5	3(.)P 65-125/5.5	5.5	7.5	IE2	6.34	85.8	87.4	87.3	0.88	-	10.4	6.0	-	83.2	48.0
3(.)S 65-125/7.5	3(.)P 65-125/7.5	7.5	10	IE2	8.56	86.5	88.3	88.3	0.87	-	14.2	8.2	-	115.0	66.4
3(.)S 65-160/7.5	3(.)P 65-160/7.5	7.5	10	IE2	8.56	86.5	88.3	88.3	0.87	-	14.2	8.2	-	115.0	66.4
3(.)S 65-160/9.2	3(.)P 65-160/9.2	9.2	12.5	IE2	10.19	88.4	89.9	90.0	0.87	-	16.9	9.8	-	135.0	78.0
3(.)S 65-160/11	3(.)P 65-160/11	11	15	IE2	12.35	88.1	90.0	89.7	0.90	-	19.8	11.4	-	148.5	85.7
3(.)S 65-160/15	3(.)P 65-160/15	15	20	IE2	16.58	90.0	91.0	90.8	0.88	-	27.2	15.7	-	206.7	119.3
3(.)S 65-200/15	3(.)P 65-200/15	15	20	IE2	16.58	90.0	91.0	90.8	0.88	-	27.2	15.7	-	206.7	119.3
3(.)S 65-200/18.5	3(.)P 65-200/18.5	18.5	25	IE2	20.30	90.3	91.6	91.2	0.88	-	33.3	19.2	-	263.1	152.0
3(.)S 65-200/22	3(.)P 65-200/22	22	30	IE2	24.05	90.9	91.8	91.4	0.89	-	39.0	22.5	-	292.5	168.9
3LS 65-250/30	3LP 65-250/30	30	40	IE2	32.62	91.3	92.3	92.3	0.88	-	53.5	30.9	-	358.5	206.9
3LS 65-250/37	3LP 65-250/37	37	50	IE2	40.22	91.6	92.9	92.8	0.90	-	64.5	37.2	-	406.4	234.6
3LS 80-160/11	3LP 80-160/11	11	15	IE2	12.35	88.1	90.0	89.7	0.90	-	19.8	11.4	-	148.5	85.7
3LS 80-160/15R	3LP 80-160/15R	15	20	IE2	16.58	90.0	91.0	90.8	0.88	-	27.2	15.7	-	206.7	119.3
3LS 80-160/15	3LP 80-160/15	15	20	IE2	16.58	90.0	91.0	90.8	0.88	-	27.2	15.7	-	206.7	119.3
3LS 80-160/18.5	3LP 80-160/18.5	18.5	25	IE2	20.30	90.3	91.6	91.2	0.88	-	33.3	19.2	-	263.1	152.0
3LS 80-200/22	3LP 80-200/22	22	30	IE2	24.05	90.9	91.8	91.4	0.89	-	39.0	22.5	-	292.5	168.9
3LS 80-200/30	3LP 80-200/30	30	40	IE2	32.62	91.3	92.3	92.3	0.88	-	53.5	30.9	-	358.5	206.9
3LS 80-200/37	3LP 80-200/37	37	50	IE2	40.22	91.6	92.9	92.8	0.90	-	64.5	37.2	-	406.4	234.6
3LS 80-250/37	3LP 80-250/37	37	50	IE2	40.22	91.6	92.9	92.8	0.90	-	64.5	37.2	-	406.4	234.6
3LS 80-250/45	3LP 80-250/45	45	60	IE2	48.39	92.8	93.3	93.0	0.90	-	77.6	44.8	-	535.5	309.2
3LS 80-250/55	3LP 80-250/55	55	75	IE2	58.92	92.9	93.8	93.6	0.90	-	94.5	54.5	-	756.0	436.4

NOISE DATA 3(.)M

Pump type		Power		L _{pA} - dB(A) *
Single Phase	Three Phase	[kW]	[HP]	
3(.)M 32-125/1.1 M	3(.)M 32-125/1.1	1.1	1.5	<70
3(.)M 32-160/1.5 M	3(.)M 32-160/1.5	1.5	2.0	
3(.)M 32-160/2.2 M	3(.)M 32-160/2.2	2.2	3.0	
-	3(.)M 32-200/3.0	3.0	4.0	71
-	3(.)M 32-200/4.0	4.0	5.5	75
-	3(.)M 32-200/5.5	5.5	7.5	
-	3(.)M 32-200/7.5	7.5	10.0	
3(.)M 40-125/1,5 M	3(.)M 40-125/1.5	1.5	2.0	<70
3(.)M 40-125/2.2 M	3(.)M 40-125/2.2	2.2	3.0	
-	3(.)M 40-160/3.0	3.0	4.0	71
-	3(.)M 40-160/4.0	4.0	5.5	75
-	3(.)M 40-200/5.5	5.5	7.5	
-	3(.)M 40-200/7.5	7.5	10.0	
-	3(.)M 40-200/11	11.0	15.0	80
3(.)M 50-125/2.2 M	3(.)M 50-125/2.2	2.2	3.0	<70
-	3(.)M 50-125/3.0	3.0	4.0	71
-	3(.)M 50-125/4.0	4.0	5.5	
-	3(.)M 50-160/5.5	5.5	7.5	75
-	3(.)M 50-160/7.5	7.5	10.0	
-	3(.)M 50-200/9.2	9.2	12.5	80
-	3(.)M 50-200/11	11.0	15.0	
-	3(.)M 50-200/15	15.0	20.0	
-	3(.)M 65-125/4	4.0	5.5	71
-	3(.)M 65-125/5.5	5.5	7.5	75
-	3(.)M 65-125/7.5	7.5	10.0	
-	3(.)M 65-160/7.5	7.5	10.0	
-	3(.)M 65-160/9.2	9.2	12.5	80
-	3(.)M 65-160/11	11.0	15.0	
-	3(.)M 65-160/15	15.0	20.0	
-	3(.)M 65-200/15	15.0	20.0	
-	3(.)M 65-200/18.5	18.5	25.0	83-82
-	3(.)M 65-200/22	22.0	30.0	
-	3LM 80-160/11	11.0	15.0	80
-	3LM 80-160/13	13.0	17.5	
-	3LM 80-160/15	15.0	20.0	
-	3LM 80-160/18.5	18.5	25.0	83-82

* Mean value of several measures at 1m distance around the pump.

Tolerance ± 2.5 dB.

NOISE DATA 3(.)S-3(.)P

Pump type		Power		L _{pA} - dB(A) *
		[kW]	[HP]	
3(.)S 32-125/1.1	3(.)P 32-125/1.1	1.1	1.5	<70
3(.)S 32-160/1.5	3(.)P 32-160/1.5	1.5	2	
3(.)S 32-160/2.2	3(.)P 32-160/2.2	2.2	3	
3(.)S 32-200/3.0	3(.)P 32-200/3.0	3	4	
3(.)S 32-200/4.0	3(.)P 32-200/4.0	4	5.5	73
3(.)S 32-200/5.5	3(.)P 32-200/5.5	5.5	7.5	77
3(.)S 32-200/7.5	3(.)P 32-200/7.5	7.5	10	
3(.)S 40-125/1.5	3(.)P 40-125/1.5	1.5	2	<70
3(.)S 40-125/2.2	3(.)P 40-125/2.2	2.2	3	
3(.)S 40-160/3.0	3(.)P 40-160/3.0	3	4	
3(.)S 40-160/4.0	3(.)P 40-160/4.0	4	5.5	
3(.)S 40-200/5.5	3(.)P 40-200/5.5	5.5	7.5	77
3(.)S 40-200/7.5	3(.)P 40-200/7.5	7.5	10	
3(.)S 40-200/11	3(.)P 40-200/11	11	15	79
3(.)S 50-125/2.2	3(.)P 50-125/2.2	2.2	3	<70
3(.)S 50-125/3.0	3(.)P 50-125/3.0	3	4	
3(.)S 50-125/4.0	3(.)P 50-125/4.0	4	5.5	73
3(.)S 50-160/5.5	3(.)P 50-160/5.5	5.5	7.5	77
3(.)S 50-160/7.5	3(.)P 50-160/7.5	7.5	10	
3(.)S 50-200/9.2	3(.)P 50-200/9.2	9.2	12.5	79
3(.)S 50-200/11	3(.)P 50-200/11	11	15	
3(.)S 50-200/15	3(.)P 50-200/15	15	20	
3(.)S 65-125/4	3(.)P 65-125/4	4	5.5	73
3(.)S 65-125/5.5	3(.)P 65-125/5.5	5.5	7.5	77
3(.)S 65-125/7.5	3(.)P 65-125/7.5	7.5	10	
3(.)S 65-160/7.5	3(.)P 65-160/7.5			
3(.)S 65-160/9.2	3(.)P 65-160/9.2	9.2	12.5	
3(.)S 65-160/11	3(.)P 65-160/11	11	15	79
3(.)S 65-160/15	3(.)P 65-160/15	15	20	
3(.)S 65-200/15	3(.)P 65-200/15			
3(.)S 65-200/18.5	3(.)P 65-200/18.5	18.5	25	80
3(.)S 65-200/22	3(.)P 65-200/22	22	30	
3LS 65-250/30	3LP 65-250/30	30	40	82
3LS 65-250/37	3LP 65-250/37	37	50	79
3LS 80-160/11	3LP 80-160/11	11	15	
3LS 80-160/15R	3LP 80-160/15R	15	20	
3LS 80-160/15	3LP 80-160/15	15	20	
3LS 80-160/18.5	3LP 80-160/18.5	18.5	25	
3LS 80-200/22	3LP 80-200/22	22	30	
3LS 80-200/30	3LP 80-200/30	30	40	
3LS 80-200/37	3LP 80-200/37	37	50	
3LS 80-250/37	3LP 80-250/37	37	50	82
3LS 80-250/45	3LP 80-250/45	45	60	
3LS 80-250/55	3LP 80-250/55	55	75	86

* Mean value of several measures at 1m distance around the pump.

Tolerance ± 2.5 dB.

Sound pressure level of motor pumps with AEG