

AquaNetPlus® AC/DC

The professional electric/hydraulic valve line

Applications

- Agriculture: for all applications
- Landscape: for all applications
- Industry: water supply system

Features & Benefits

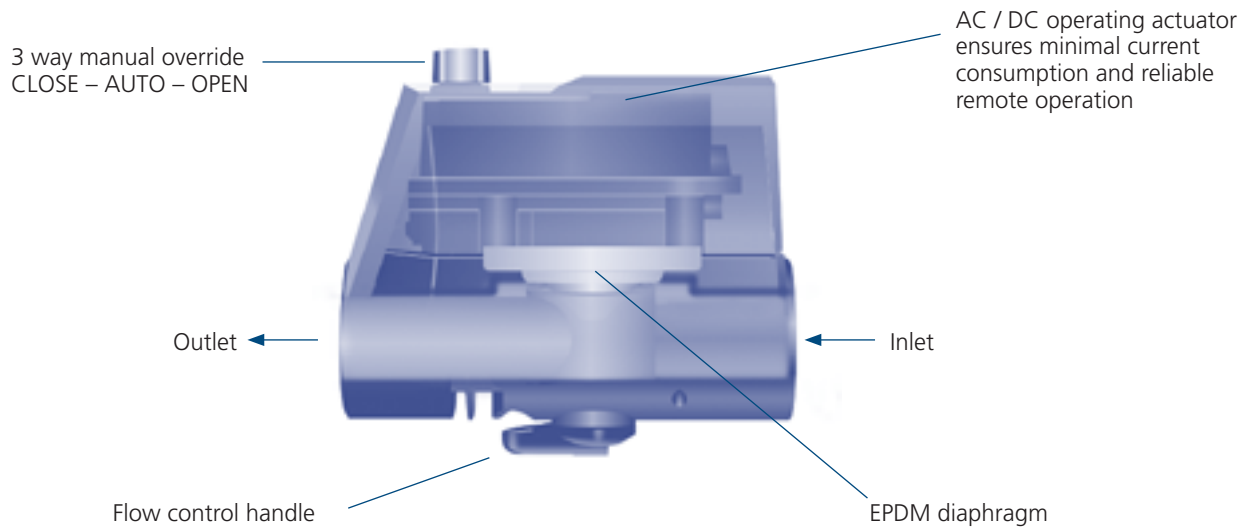
- Patented hydraulic 3-way control
- Designed to operate with all types of water, including effluentwater (2 mm command orifice)
- Wide pressure & flowrange
- Manual override: CLOSE-AUTO-OPEN
- Built-in pressure regulator with adjustable knob 0.7 – 4.5 bar (optional 1 ½" & 2" Electrical models only)
- Low energy consumption for maximal wire distance
- Flow control handle – standard on all models
- EPDM diaphragm resistant against chemicals used in agriculture



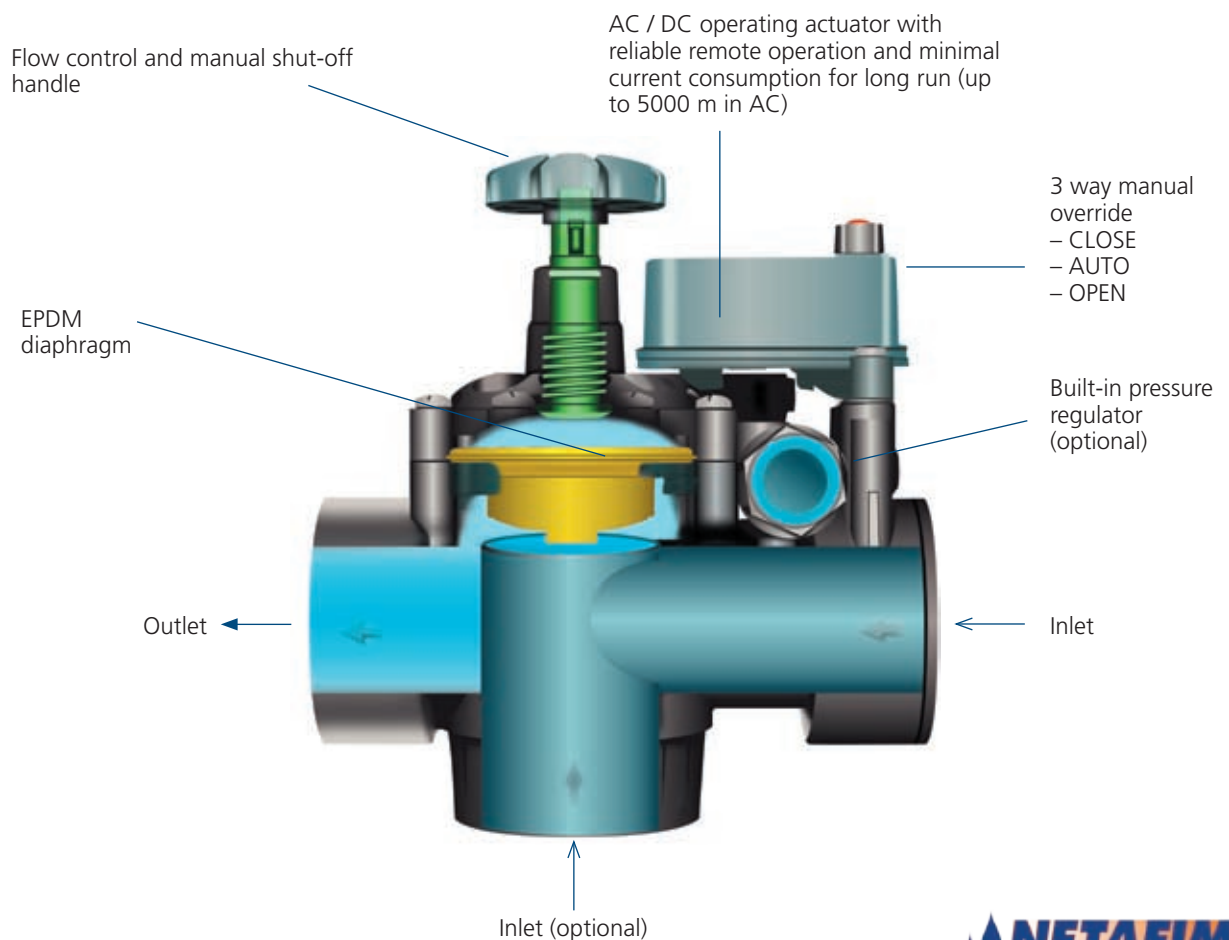
AquaNetPlus® AC/DC

The professional electric/hydraulic valve line

¾" & 1" models



1 ½" & 2" models



AquaNetPlus® AC/DC

The professional electric/hydraulic valve line

General Specifications

| ¾" & 1" globe models | |
|----------------------|--------------------|
| Flow: | 0.025 – 7.0 m3/h |
| Working pressure: | 0.2 -10 bar |
| Ambient temp. max: | 60°C (140°F) |
| Fluid temp. max: | 60°C (140°F) |
| Plastic parts: | Reinforced nylon |
| Diaphragms: | EPDM |
| Leads: | 2 x AWG 22 (80 cm) |

| 1½" & 2" globe & angle models | |
|-------------------------------|---------------------|
| Flow: | 0.1 – 34.0 m3/h |
| Working pressure: | 0.3 -10 bar |
| Ambient temp. max: | 60°C (140°F) |
| Fluid temp. max: | 60°C (140°F) |
| Plastic parts: | Reinforced nylon |
| Diaphragms: | EPDM |
| Leads: | 2 x AWG 22 (120 cm) |

Pressure Regulating Range: 0.7-4.5 bar (1½" & 2" electric models only)

Electrical Specifications 24vac

| | |
|----------|-----------|
| Voltage: | 18-28 VAC |
| Inrush: | 90 mA |
| Holding: | 75 mA |

- In AC models, 2-5 seconds delay from command to activation

Max. distance between Aquanet Plus AC and controllers

| Cable gauge (awg) | diameter (mm) | cross section (mm ²) | max. distance (m) |
|-------------------|---------------|----------------------------------|-------------------|
| 20 | 0.8 | 0.5 | 1250 |
| 18 | 1.0 | 0.8 | 2000 |
| 17 | 1.1 | 1.0 | 2500 |
| 16 | 1.3 | 1.3 | 3500 |
| 15 | 1.4 | 1.5 | 5000 |

Electrical Connections

| |
|---|
| ¾" & 1" DC Red + Black common |
| ¾" & 1" AC Black/Black |
| 1 ½" & 2" DC Red + Black common |
| 1 ½" & 2" AC Black/Black |
| (changing DC wire connections will change NC to NO) |
| It is recommended to isolate wires connections from water to prevent corrosion). |
| AquanetPlus DC is compatible with most DC latch controllers MOTOROLA, ELDAR-GAL, TALGIL, PROGRES with two or three wire output (3-to-2 wire converter). For specific models please contact your Netafim representative. |

Electrical Specifications Dc

| Discharge capacitor mode | |
|--|----------------|
| Voltage: | 12-40 VDC |
| Min. pulse width: | 80 ms |
| Recommended working condition capacitor mode | |
| Voltage (VDC) | Capacitor (µf) |
| 12-18 | 4700 |
| 18-28 | 3300 |
| 28-40 | 2200 |

Max. distance between Aquanet Plus DC valves and controller (13.5 VDC, 80 ms, 4700 µ f)

| Cable gauge (awg) | diameter (mm) | cross section (mm ²) | max. distance (m) |
|-------------------|---------------|----------------------------------|-------------------|
| 20 | 0.8 | 0.5 | 150 |
| 17 | 1.1 | 1.0 | 240 |
| 15 | 1.4 | 1.5 | 380 |

HEAD LOSS (m) Flow m3/l

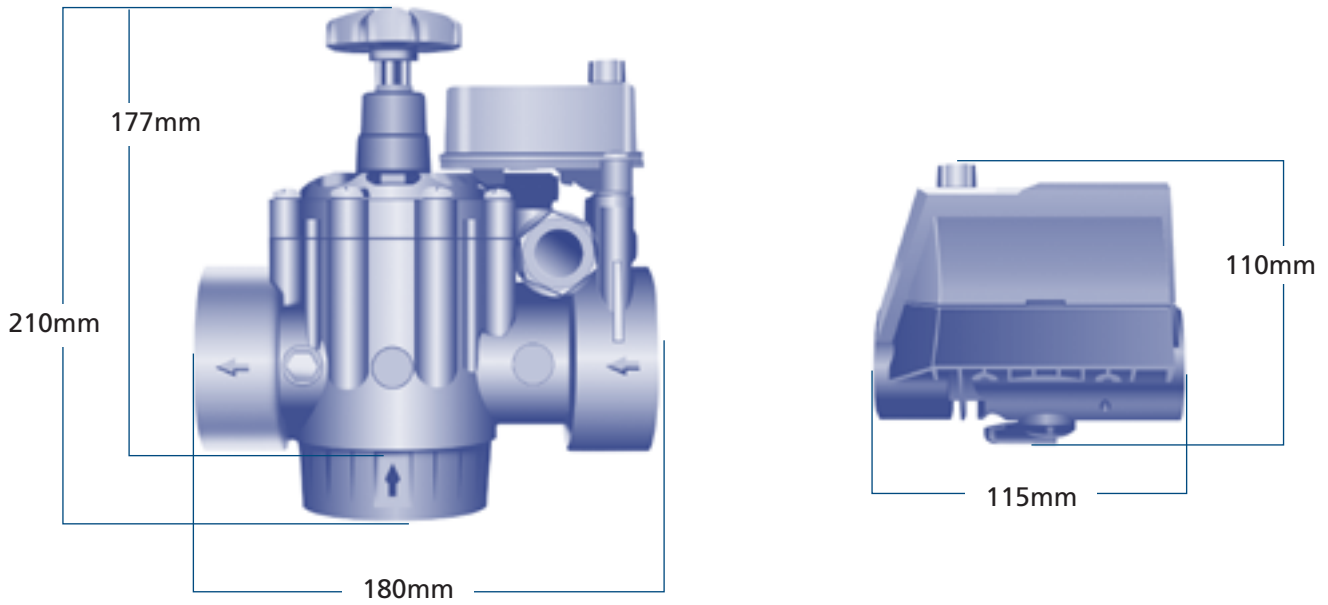
| Model | 1 | 2 | 3 | 4 | 6 | 8 | 10 | 12 | 14 | 16 | 18 | 20 | 22 | 24 | 26 | 28 | 30 | 32 | 34 |
|---------|------|------|------|------|------|------|------|------|------|------|------|------|------|------|------|-------|-------|-------|-------|
| ¾" G | 1.00 | 1.30 | 2.00 | 2.50 | 4.50 | | | | | | | | | | | | | | |
| 1" G | 1.00 | 1.30 | 2.00 | 2.40 | 4.00 | | | | | | | | | | | | | | |
| 1½" G | 0.52 | 0.64 | 0.77 | 0.92 | 1.28 | 1.70 | 2.21 | 2.79 | 3.46 | 4.22 | 5.06 | 6.00 | 7.00 | 8.17 | 9.41 | 10.75 | 12.20 | 13.77 | 15.46 |
| 1½" A | 0.90 | 0.93 | 0.98 | 1.05 | 1.23 | 1.48 | 1.80 | 2.18 | 2.64 | 3.18 | 3.79 | 4.49 | 5.26 | 6.12 | 7.06 | 8.08 | 9.20 | 10.40 | 11.70 |
| 1½" A-G | 0.00 | 0.10 | 0.40 | 0.70 | 1.30 | 1.92 | 2.57 | 3.25 | 3.98 | 4.76 | 5.61 | 6.53 | 7.54 | 8.64 | 9.84 | 11.16 | 12.60 | 14.17 | 15.90 |
| 1½" HYG | 0.36 | 0.36 | 0.42 | 0.43 | 0.72 | 1.06 | 1.49 | 2.04 | 2.68 | 3.44 | 4.30 | 5.26 | 6.33 | 7.50 | 8.77 | 10.15 | 11.63 | 13.22 | 14.90 |
| 1½" HYA | - | - | 0.00 | 0.00 | 0.30 | 0.57 | 0.87 | 1.21 | 1.60 | 2.04 | 2.52 | 3.05 | 3.63 | 4.26 | 4.94 | 5.67 | 6.45 | 7.28 | 8.18 |
| 2" G | 0.63 | 0.74 | 0.86 | 1.00 | 1.33 | 1.71 | 2.16 | 2.69 | 3.28 | 3.96 | 4.72 | 5.56 | 6.50 | 7.54 | 8.67 | 9.91 | 11.26 | 12.72 | 14.30 |
| 2" A | 1.41 | 1.30 | 1.23 | 1.18 | 1.15 | 1.23 | 1.41 | 1.68 | 2.04 | 2.50 | 3.03 | 3.65 | 4.35 | 5.12 | 5.97 | 6.88 | 7.85 | 8.89 | 9.99 |
| 2" A-G | 1.40 | 1.69 | 1.97 | 2.25 | 2.80 | 3.35 | 3.92 | 4.50 | 5.12 | 5.77 | 6.48 | 7.24 | 8.00 | 8.99 | 9.98 | 11.09 | 12.30 | 13.60 | 15.06 |
| 2" HYG | - | - | - | 0.00 | 0.38 | 0.83 | 1.34 | 1.93 | 2.60 | 3.34 | 4.16 | 5.07 | 6.06 | 7.15 | 8.33 | 9.60 | 10.97 | 12.45 | 14.02 |
| 2" HYA | - | 0.02 | 0.06 | 0.12 | 0.27 | 0.47 | 0.73 | 1.04 | 1.40 | 1.81 | 2.28 | 2.80 | 3.36 | 3.98 | 4.65 | 5.37 | 6.14 | 6.96 | 7.84 |

• G = Globe • A = Angle • A-G = Angle valve globe flow • HYG = Hydraulic globe valve • HYA = Hydraulic angle valve

AquaNetPlus® AC/DC

The professional electric/hydraulic valve line

Measurements



Ordering Guide

| Model | AC | DC | BCP | NPT | Globe | Angle | w/ P/R | w/ F/C |
|-----------|----|----|-----|-----|-------|-------|--------|--------|
| ¾" | + | + | + | + | + | | | + |
| 1" | + | + | + | + | + | | | + |
| 1½" | + | + | + | + | + | + | + | + |
| 1½" hydr. | | | + | + | + | + | | + |
| 2" | + | + | + | + | + | + | + | + |
| 2" hydr. | | | + | + | + | + | | + |

Example: AquanetPlus 1" electric valve, DC, BSP.

Remarks:

* AquanetPlus ¾" and 1" models available in globe type only.

** Pressure regulated available in 1½" and 2" electric models only.

Packaging Data

| Model | Quantity p/box units | Box dimensions cm x cm x cm | Box weight kg (average) |
|------------------------|----------------------|-----------------------------|-------------------------|
| AquanetPlus ¾", 1" | 12 | 47.0 x 26.0 x 12.0 | 4.45 |
| AquanetPlus 1½" G | 1 | 21.5 x 12.5 x 19 | 1.18 |
| AquanetPlus 1½" A | 1 | 21.5 x 12.5 x 19 | 1.29 |
| AquanetPlus 2" G | 1 | 21.5 x 12.5 x 19 | 1.16 |
| AquanetPlus 2" A | 1 | 21.5 x 12.5 x 19 | 1.24 |
| Pressure Regulator Kit | 1 | 12.0 x 9.0 x 7.0 | 0.11 |

Website: www.netafim.com
E-mail: Products_Solutions@netafim.com

