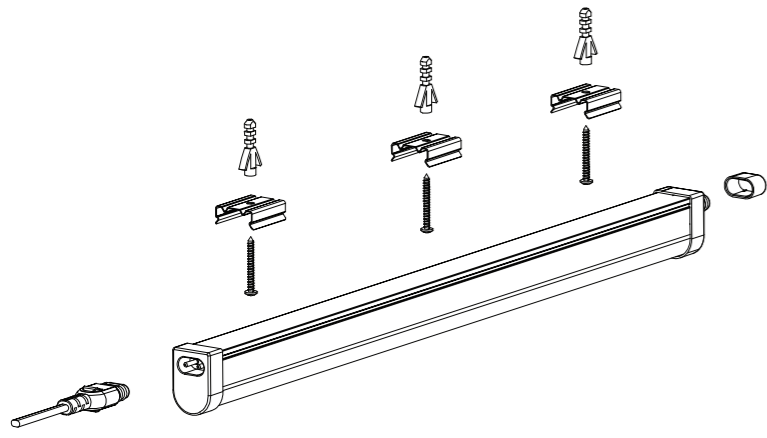
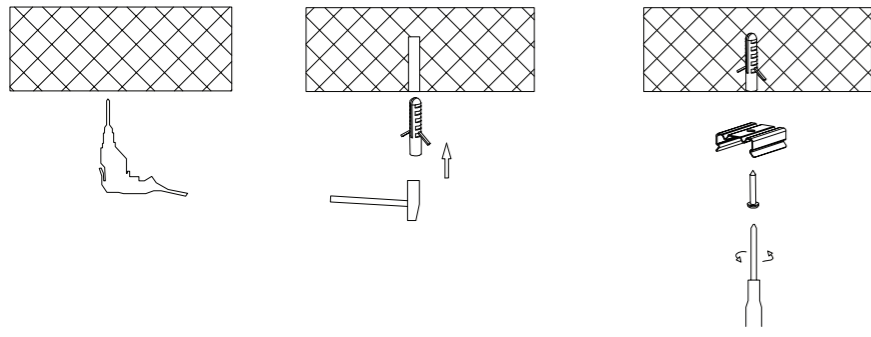


Step 3. Connect lamps as below figure, insert the power connector to first lamp, and fix end cap on male connector of last lamp. The installation finished.



Step 1. Make right position and screw hole on the ceiling, screw the clip on the ceiling tightly.



Step 2. Snap the lamp into clips.

