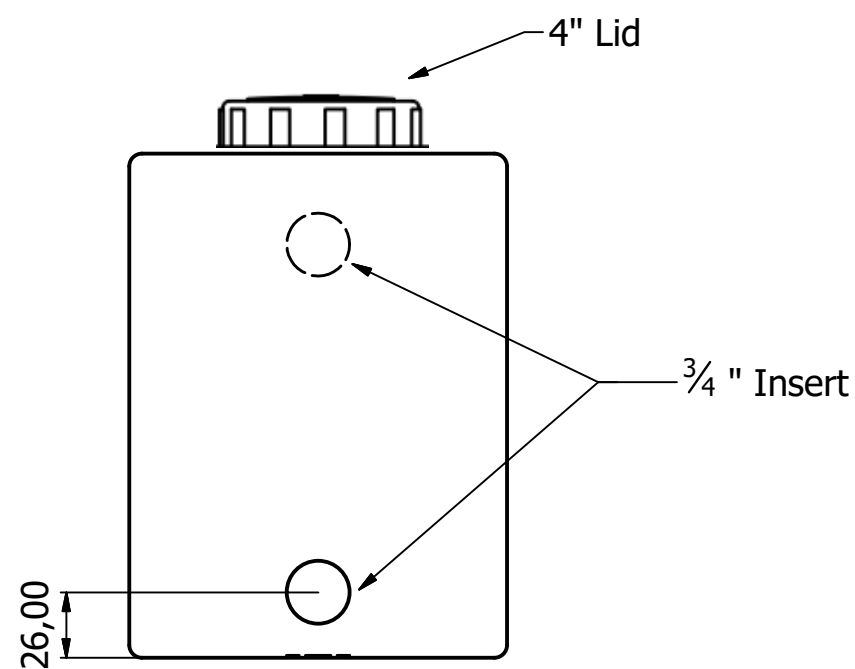
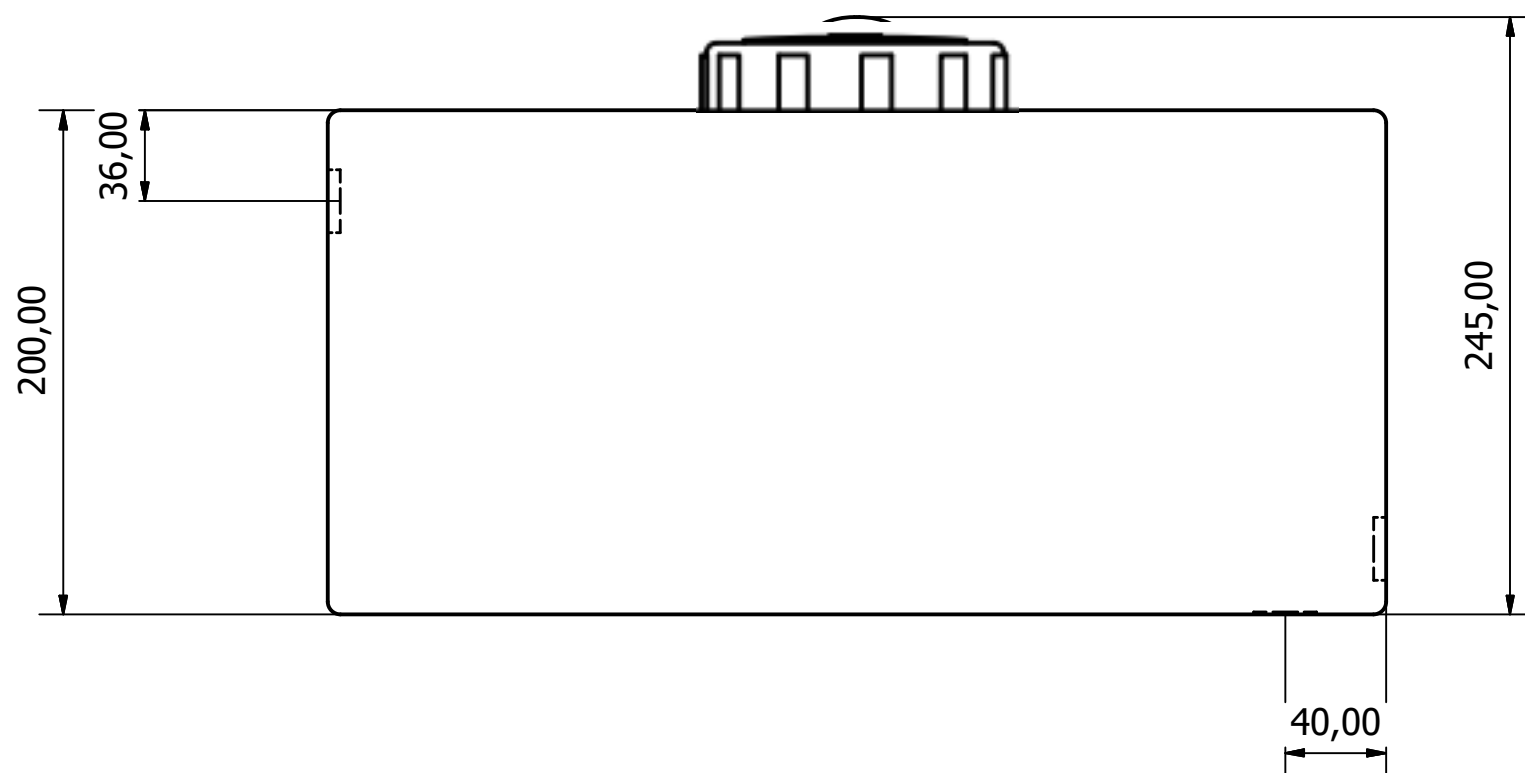
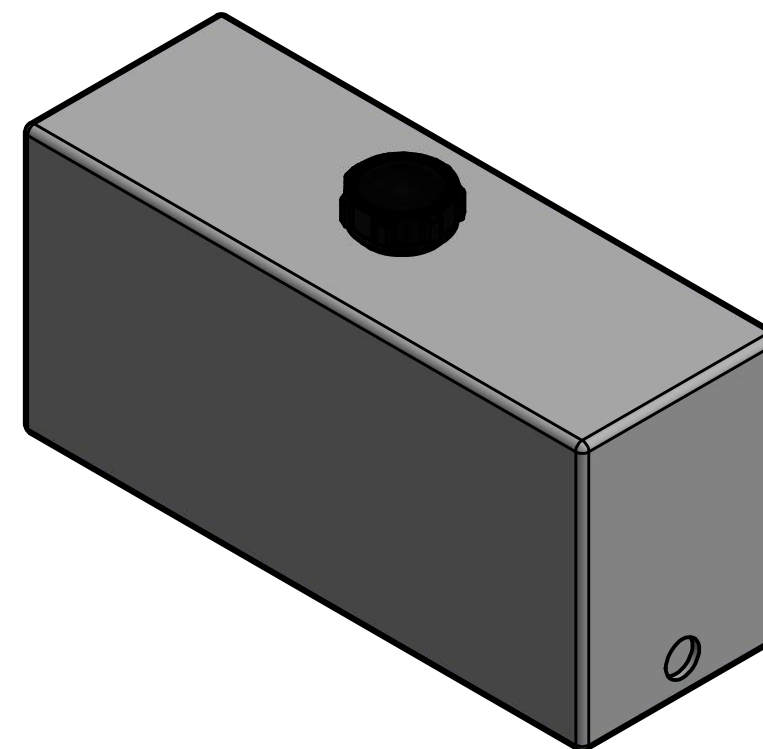
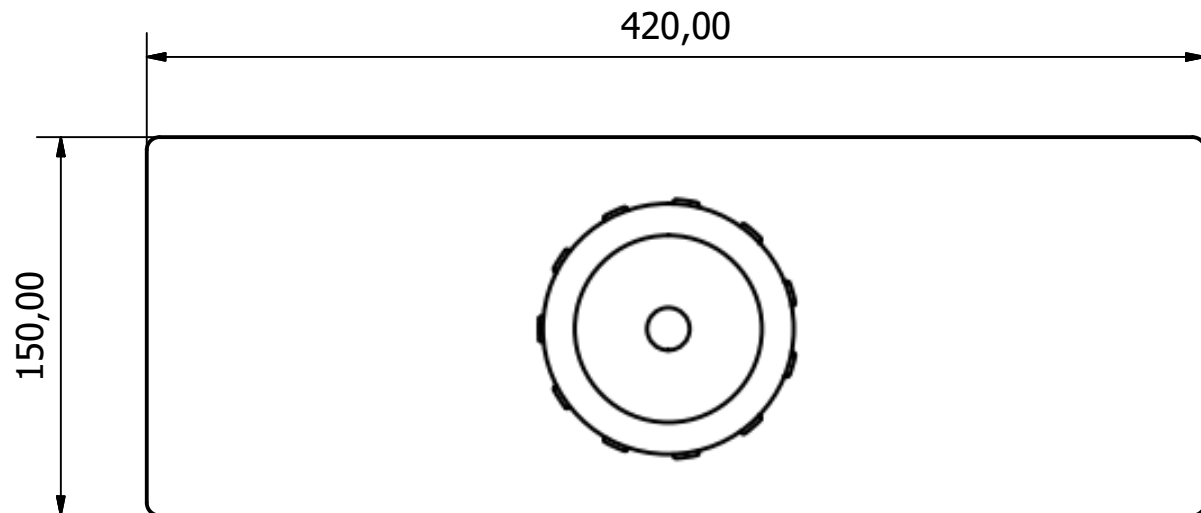


DO NOT SCALE UNLESS STATED - IF IN DOUBT ASK

Material	
Qty Req'd	



Stock Code	Volume (L)	Lid "	Outlet "
12U-4	12	4	3/4



**ROTTERDAMPLASTICS**

THIS DRAWING AND THE INFORMATION THEREON IS THE SOLE PROPERTY OF ROTTERDAM PLASTICS AND SHALL NOT BE COPIED OR REPRODUCED WITHOUT THE CONSENT OF ROTTERDAM PLASTICS.  
DIMENSIONS ARE ALL IN MM UNLESS OTHERWISE STATED.  
ALL TOLERANCES +/- 1MM UNLESS STATED.

CUSTOMER: Rotterdam Plastics

PROJECT: 12 Litre Tank

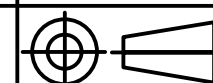
DRAWN DATE: 30/05/2018

CHECKED BY:

SHEET 1 OF 1

REV A

DRAWING NO:



REV	ZONE	DESCRIPTION	DATE