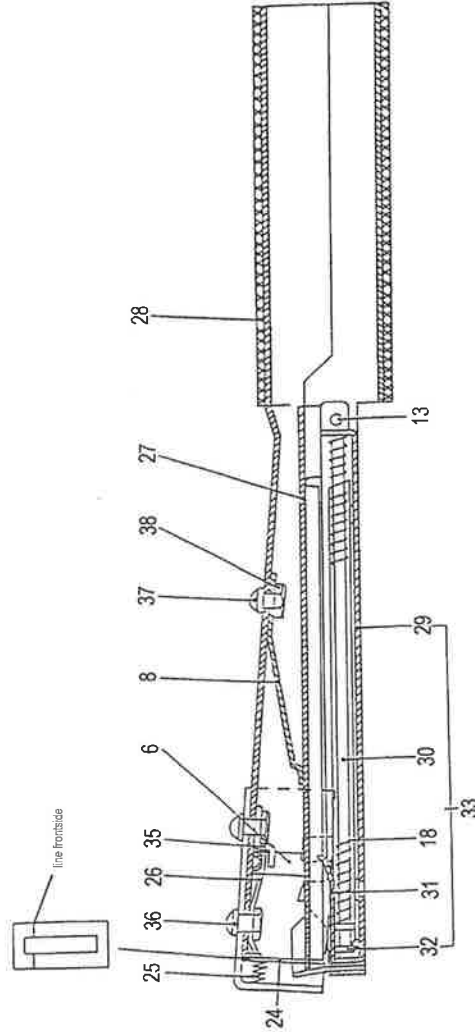


Rapid					SPARE PARTS LIST				
Reg. By KELE Info	Appr. By PETO	Appr. Date 1998-AUG-19	Page 1(1)	Class 053	No. 195586	Rev. 3			
Product name RAPID 19									

Pos No	Part No	Part Name	Qty
6	12360410	Catch lever	1
8	122820	Spring	1
13	123638	Axle	1
18	147413	Feed spring	1
24	14737110	Driver	1
25	123661	Compression spring	1
26	147389	Catch spring	1
27	14736310	Lid	1
28	12364601	Handle black	1
29	14732210	Magazine	1
30	147330	Feed bar	1
31	12368710	Feeder	1
32	123679	Clamp	1
33	147355	Magazine complete	1
35	123521	Catch	1
36	162396	Screw	2
37	162370	Screw	1
38	155333	Nut	3



When ordering always state the part numbers.

Head office and factory: ISABERG RAPID AB, Box 115, S-330 27 Hestra, Sweden
 Telephone 46-(0)370-33 95 00. Telefax 46-(0)370-33 95 02.
 Internet www.isaberg-rapid.com